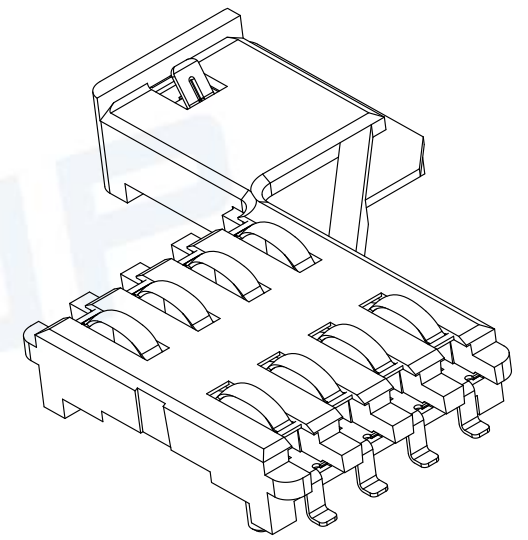
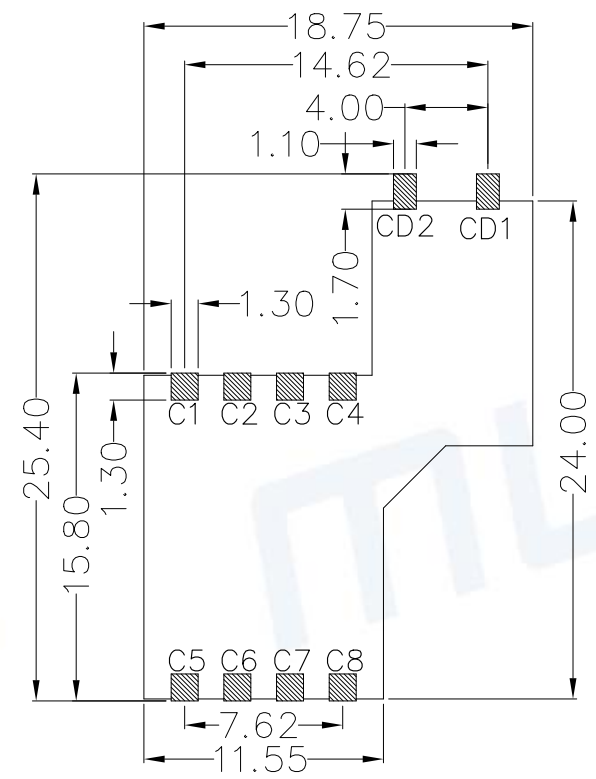
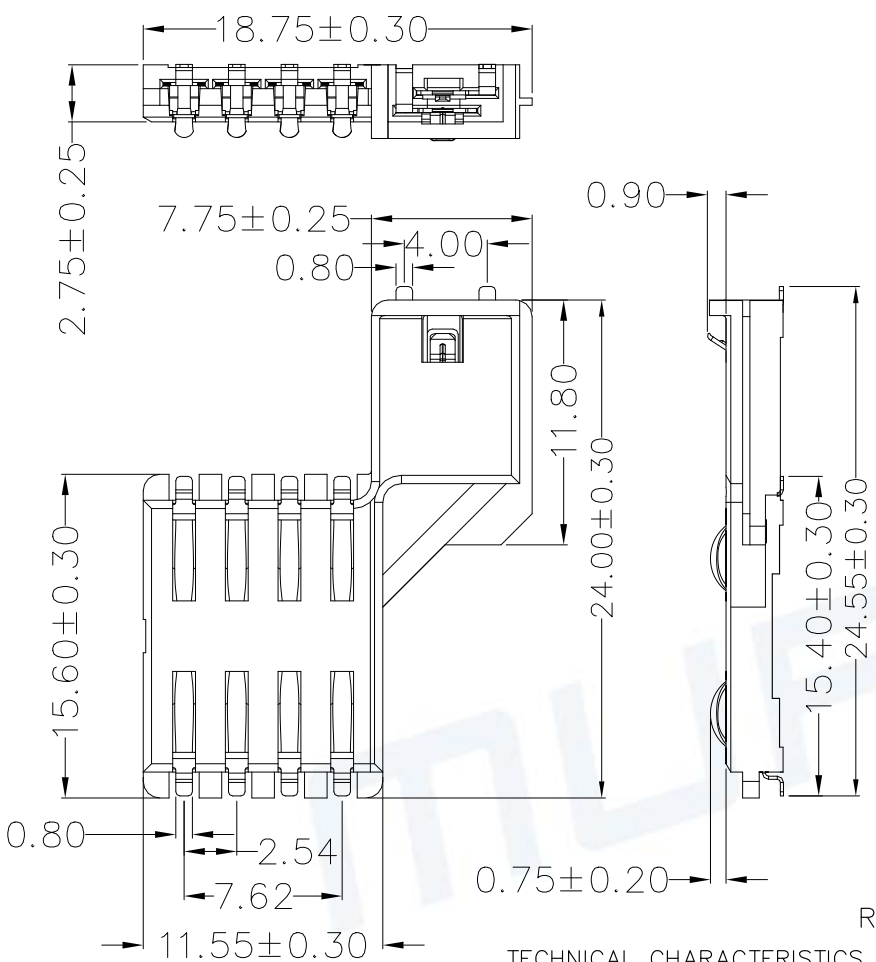


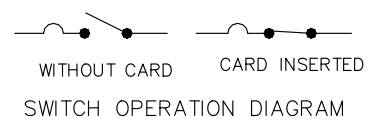
REV.	DESCRIPTION OF REVISIONS	APPR.	CHEC.	DRAW.	DATE
△	NEW			Zoey	2014/05/25
△	Original Model C737-3			Keyy	2023/10/19



**TECHNICAL CHARACTERISTICS**

- General Characteristics**  
Dimensions:  $24.00 \times 18.75 \times 2.75$  mm  
Weight: Approx  $0.88 \pm 0.2$ g  
Durability: 50,000 cycles min.
- Electrical Characteristics**  
Contact resistance:  $50 \text{m}\Omega$  typical,  $100 \text{m}\Omega$  max  
Insulation resistance:  $> 1000 \text{M}\Omega / 500 \text{V DC}$
- Solderability**  
IR reflow:  $260^\circ\text{C}, 10 \text{sec. Max}$   
Manual soldering:  $370^\circ\text{C}, 3 \text{sec. Max}$
- Environmental Characteristics**  
Operating temperature:  $-40^\circ\text{C} \sim +85^\circ\text{C}$   
Operating humidity:  $10\% \sim +95\% \text{RH}$

ELECTRIC FUNCTION	DETECT SWITCH
WITHOUT CARD	OPEN
CARD INSERTED	CLOSED



ITEM	PART NAME	Q'TY	MATERIAL	FINISH
1	BASE	1	Thermoplastic	Black UL94V-0
2	DATA CONTACT	8	Copper Alloy	Contact area: Gold plated
3	SWITCH CONTACT 2	1	Copper Alloy	Contact area: Gold plated
4	SWITCH CONTACT 1	1	Copper Alloy	Contact area: Gold plated

Unless otherwise specified, other tolerance are:

**MUP<sup>®</sup> MUP INDUSTRIAL CO.,LTD.**

NAME: **Smart Card Connector**

MODEL NO: **MUP-C7037-03**

TYPE: **H2.75mm(On board)**

PROJ.	UNIT	SCALE	DRAWN	DATE	DWG NO.:
①	mm	1:1	Zoey	2014/05/25	DWG-C7037-03-01
CUSTOMER DRAWING			CHECKED	2014/05/25	SHEET
			APPROVAL	2014/05/25	REVISION
					1/1
					2



## X-ON Electronics

Largest Supplier of Electrical and Electronic Components

*Click to view similar products for [Memory Card Connectors](#) category:*

*Click to view products by [Murata](#) manufacturer:*

Other Similar products are found below :

[6407-249V-25273P](#) [6407-249V-25343P](#) [6426-201-21343](#) [69.920.0553.0](#) [MCR60A-98D-2.54DSA\(70\)](#) [809180410000000](#) [DM3AT-SF-PEJM5\(41\)](#) [IC11S-BUR-PNEJL\(71\)](#) [C70210M0083692](#) [2041353-2](#) [308-DS1P0811-192](#) [HM2P09PDR360N9LF](#) [10014744-011TLF](#) [11327-001](#) [11327-002](#) [NX1-32T-KT3K\(05\)](#) [95622-003LF](#) [84648-056HLF](#) [CCM03-3109 B LFT](#) [MS3116J10-6PW](#) [2309923-1](#) [61126-050CAHLF](#) [GTFP08432B1HR](#) [G85D1160022HHR](#) [SCE2MSDB76A121SN](#) [SCE2MSDZN76A121SN](#) [10014744-011ALF](#) [10014744-011LF](#) [10057542-1211FLF](#) [10067972-000LF](#) [10067972-050LF](#) [10122302-20110LF](#) [G85D1162022HHR](#) [TF-05A](#) [M6014-12](#) [XKNANO-1412](#) [SMN-304-ARP6](#) [MIS11-S1F1-2000-A](#) [SMN-308-ARSP7](#) [MCS-302S-KT1B](#) [SMN-308-ACSP7](#) [K-DYX-008](#) [K-DYX-004](#) [C7024-03](#) [SMO-1030](#) [MCS-110-KT](#) [SIM-217](#) [SNO-1355-KT](#) [SMO-1025-P10](#) [SIM-211S-P6](#)