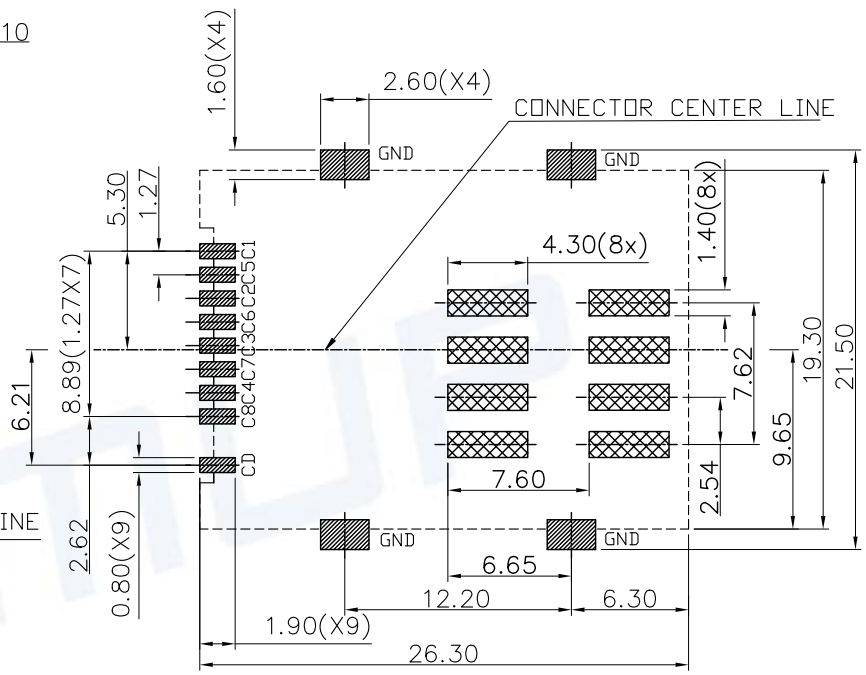
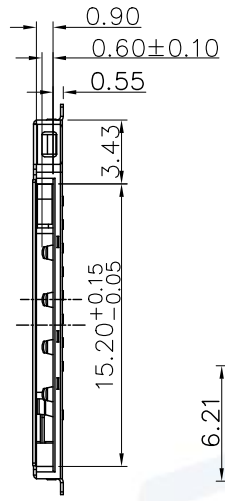
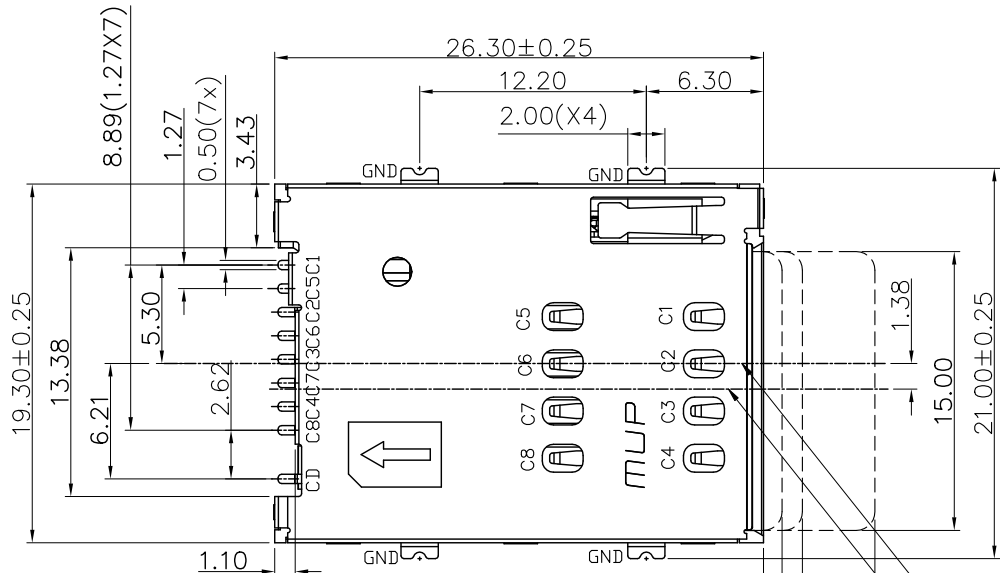
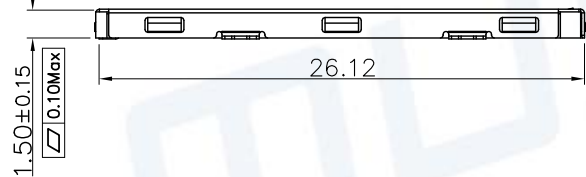


REV.	DESCRIPTION OF REVISIONS	APPR.	CHKD.	DRAW.	DATE
△	NEW			Henry	2014/07/08
△	Original Model C752-1			Henry	2023/10/18



(LOCATION OF CARD PUSHED) 1.00REF  
 (LOCATION OF CARD LOCKED) 2.10REF  
 (LOCATION OF CARD EJECTED) 6.00REF

CONNECTOR CENTER LINE  
 CARD CENTER LINE



RECOMMENDED P.C.B LAYOUT  
 COMPONENT SIDE (TOLERANCE ±0.05)  
 ▨ PAD AREA  
 - - - CONNECTOR OUTLINE  
 ▩ NO PATTERN AND VIA HOLE IN THIS AREA

TECHNICAL CHARACTERISTICS

1.General Characteristics

Dimensions: 26.30LX19.30WX1.50H mm  
 Weight: Approx 1.50±0.1g  
 Durability: 2,500 cycles min.

2.Electrical Characteristics

Contact resistance: 50mΩ typical, 100mΩ max  
 Insulation resistance: >1000MΩ/500V DC

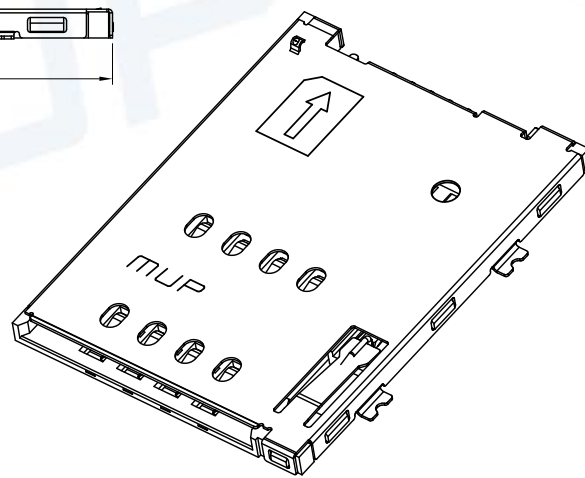
3.Solderability

Vapor phase: 215°C, 30sec.Max  
 IR reflow: 260°C, 10sec.Max  
 Manual soldering: 370°C, 3sec.Max

4.Environmental Characteristics

Operating temperature: -40°C~+85°C  
 Operating humidity: 10%~+95%RH

ELECTRIC FUNCTION	DETECT SWITCH
WITHOUT CARD	CLOSED
CARD INSERTED	OPEN



ITEM	PART NAME	Q'TY	MATERIAL	FINISH
1	HOUSING	1	Hi-temp Thermoplastic	Black UL94V-0
2	DATA CONTACT	8	Copper Alloy	Contact plated: 3u" Au Plated, Under plated: 50u" Ni plated all over
3	SHELL	1	Stainless Steel	Solder Tall: 1u" Au plated over Nickel Under plated: 30~50u" Ni plated all over
4	COIL SPRING	1	SWP	
5	HEART CAM	1	Hi-temp Thermoplastic	Black UL94V-0
6	CAM PIN	1	Stainless Steel	
7	SWITCH CONTACT	1	Copper Alloy	Contact area: Gold plated

Unless otherwise specified, other tolerance are:

X ±0.35	X' ±5'
X.X ±0.25	X.X' ±4'
X.XX ±0.15	X.XX' ±3'
X.XXX ±0.10	X.XXX' ±2'

**MUP** MUP INDUSTRIAL CO.,LTD.

NAME: **Smart Card Acceptor**  
 MODEL NO: **MUP-C7052-01**  
 TYPE: **H1.50 Without post 8PIN**

PROJ.	UNIT	SCALE	DRAWN	DATE	DWG NO.:
⊕	mm	1:1	Henry	Jul.08.2014	DWG-C7052-01-01
CUSTOMER DRAWING			CHECKED	Henry Jul.08.2014	SHEET 1/1
			APPROVAL	Simon Jul.08.2014	REVISION 2

## X-ON Electronics

Largest Supplier of Electrical and Electronic Components

*Click to view similar products for [Memory Card Connectors](#) category:*

*Click to view products by [Murata](#) manufacturer:*

Other Similar products are found below :

[6407-249V-25273P](#) [6407-249V-25343P](#) [6426-201-21343](#) [69.920.0553.0](#) [MCR60A-98D-2.54DSA\(70\)](#) [809180410000000](#) [DM3AT-SF-PEJM5\(41\)](#) [IC11S-BUR-PNEJL\(71\)](#) [C70210M0083692](#) [2041353-2](#) [308-DS1P0811-192](#) [HM2P09PDR360N9LF](#) [10014744-011TLF](#) [11327-001](#) [11327-002](#) [NX1-32T-KT3K\(05\)](#) [95622-003LF](#) [84648-056HLF](#) [CCM03-3109 B LFT](#) [MS3116J10-6PW](#) [2309923-1](#) [61126-050CAHLF](#) [GTFP08432B1HR](#) [G85D1160022HHR](#) [SCE2MSDB76A121SN](#) [SCE2MSDZN76A121SN](#) [10014744-011ALF](#) [10014744-011LF](#) [10057542-1211FLF](#) [10067972-000LF](#) [10067972-050LF](#) [10122302-20110LF](#) [G85D1162022HHR](#) [TF-05A](#) [M6014-12](#) [XKNANO-1412](#) [SMN-304-ARP6](#) [MIS11-S1F1-2000-A](#) [SMN-308-ARSP7](#) [MCS-302S-KT1B](#) [SMN-308-ACSP7](#) [K-DYX-008](#) [K-DYX-004](#) [C7024-03](#) [SMO-1030](#) [MCS-110-KT](#) [SIM-217](#) [SNO-1355-KT](#) [SMO-1025-P10](#) [SIM-211S-P6](#)