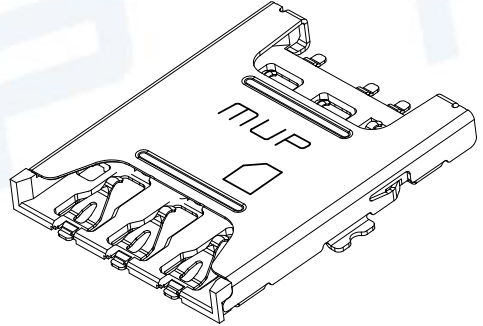
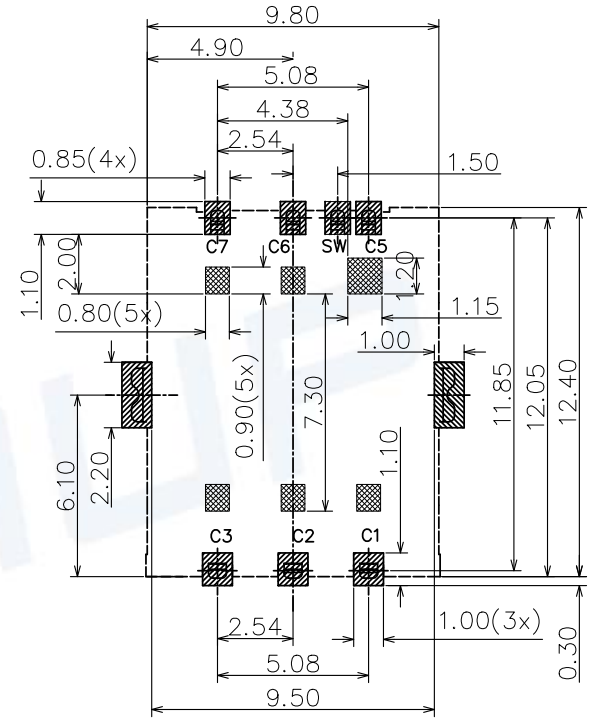
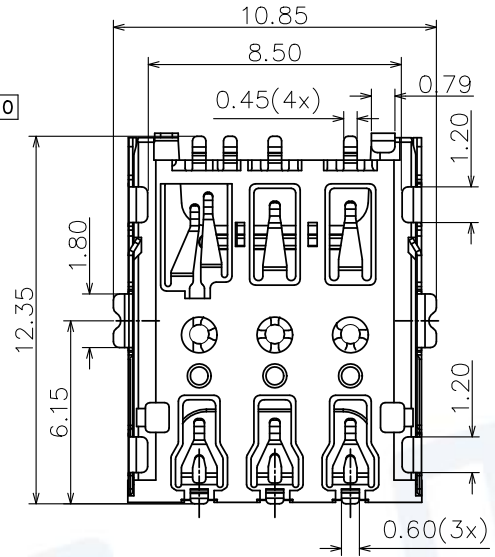
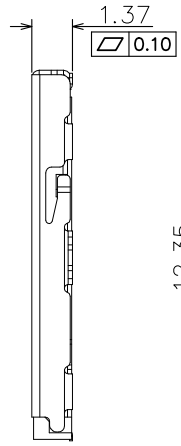
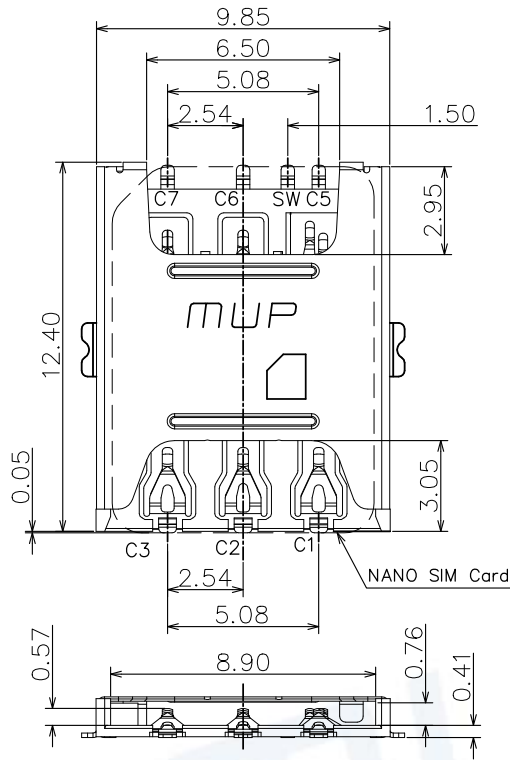


REV.	DESCRIPTION OF REVISIONS	APPR.	CHKD.	DRAW.	DATE
△	NEW			Henry	2019/3/12
△	Original Model C782-2			Henry	2023/10/19



TECHNICAL CHARACTERISTICS

1.General Characteristics
 Dimensions: 12.40LX9.80WX1.35H mm
 Weight: Approx 0.50±0.2g
 Durability: 1,500 cycles min.

2.Electrical Characteristics
 Contact resistance: 50mΩ typical,
 100mΩ max
 Insulation resistance: >1000MΩ/500V DC

3.Solderability
 Vaporphase: 215°C, 30sec.Max
 IR reflow: 250°C, 5sec.Max
 Manual soldering: 370°C, 3sec.Max

4.Environmental Characteristics
 Operating temperature: -40°C~+85°C
 Operating humidity: 10%~+95%RH

NANO SIM CARD	
Pin No.	ASSIGNMENT
C1	VCC(SUPPLY VOLTAGE)
C2	RST(RESET SIGNAL)
C3	CLK(COLCK SIGNAL)
SW	DETECTION SWITCH
C5	GND
C6	VPP(VARIABLE SUPPLY VOLTAGE)
C7	I/O(DATA INPUT/OUTPUT)

RECOMMENDED P.C.B LAYOUT
 COMPONENT SIDE(TOLERANCE ±0.05)

- PAD AREA
- CONNECTOR OUTLINE
- NO PATTERN AND VIA HOLE IN THIS AREA

ITEM	PART NAME	Q'TY	MATERIAL	FINISH
1	HOUSING	1	Hi-temp Thermoplastic	Black UL94V-0
2	DATA CONTACT	6	Copper Alloy	Contact area:Gold plated
3	SHELL	1	Stainless Steel	

Unless otherwise specified, other tolerance are:

X	±0.35	X*	±5*
X.X	±0.25	X.X*	±4*
X.XX	±0.15	X.XX*	±3*
X.XXX	±0.10	X.XXX*	±2*

MUP MUP INDUSTRIAL CO.,LTD.

NAME: **NANO-SIM Card Connector**
 MODEL NO: **MUP-C7082-02**
 TYPE : **H1.35mm 6PIN With Switch Pin/outside solder**

PROJ.	UNIT	SCALE	DRAWN	Henry Mar.12.2019	DWG NO.:	DWG-C7082-02-01
⊕	mm	1:1	CHECKED	Henry Mar.12.2019	SHEET	1/1
CUSTOMER DRAWING			APPROVAL	Simon Mar.12.2019	REVISION	2



X-ON Electronics

Largest Supplier of Electrical and Electronic Components

Click to view similar products for [Memory Card Connectors](#) category:

Click to view products by [Murata](#) manufacturer:

Other Similar products are found below :

[6407-249V-25273P](#) [6407-249V-25343P](#) [6426-201-21343](#) [69.920.0553.0](#) [MCR60A-98D-2.54DSA\(70\)](#) [809180410000000](#) [DM3AT-SF-PEJM5\(41\)](#) [IC11S-BUR-PNEJL\(71\)](#) [C70210M0083692](#) [2041353-2](#) [308-DS1P0811-192](#) [HM2P09PDR360N9LF](#) [10014744-011TLF](#) [11327-001](#) [11327-002](#) [NX1-32T-KT3K\(05\)](#) [95622-003LF](#) [84648-056HLF](#) [CCM03-3109 B LFT](#) [MS3116J10-6PW](#) [2309923-1](#) [61126-050CAHLF](#) [GTFP08432B1HR](#) [G85D1160022HHR](#) [SCE2MSDB76A121SN](#) [SCE2MSDZN76A121SN](#) [10014744-011ALF](#) [10014744-011LF](#) [10057542-1211FLF](#) [10067972-000LF](#) [10067972-050LF](#) [10122302-20110LF](#) [G85D1162022HHR](#) [TF-05A](#) [M6014-12](#) [XKNANO-1412](#) [SMN-304-ARP6](#) [MIS11-S1F1-2000-A](#) [SMN-308-ARSP7](#) [MCS-302S-KT1B](#) [SMN-308-ACSP7](#) [K-DYX-008](#) [K-DYX-004](#) [C7024-03](#) [SMO-1030](#) [MCS-110-KT](#) [SIM-217](#) [SNO-1355-KT](#) [SMO-1025-P10](#) [SIM-211S-P6](#)