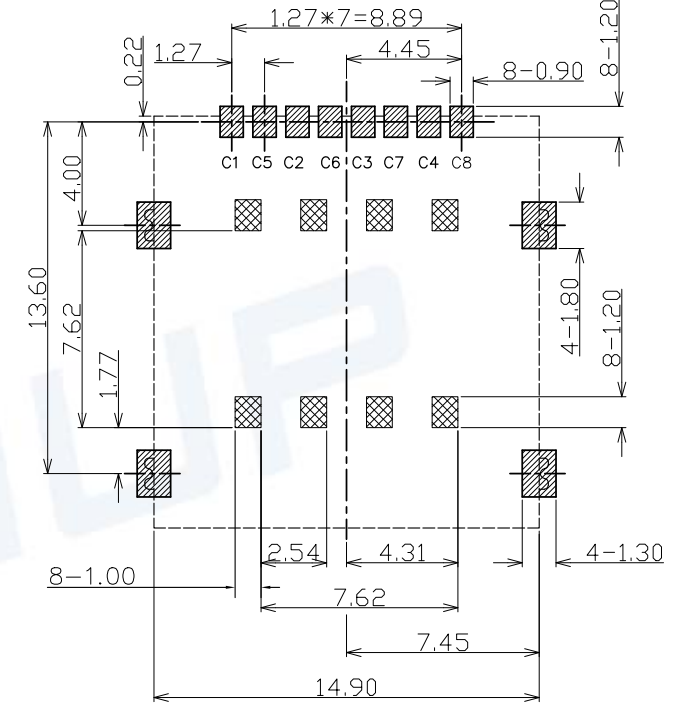
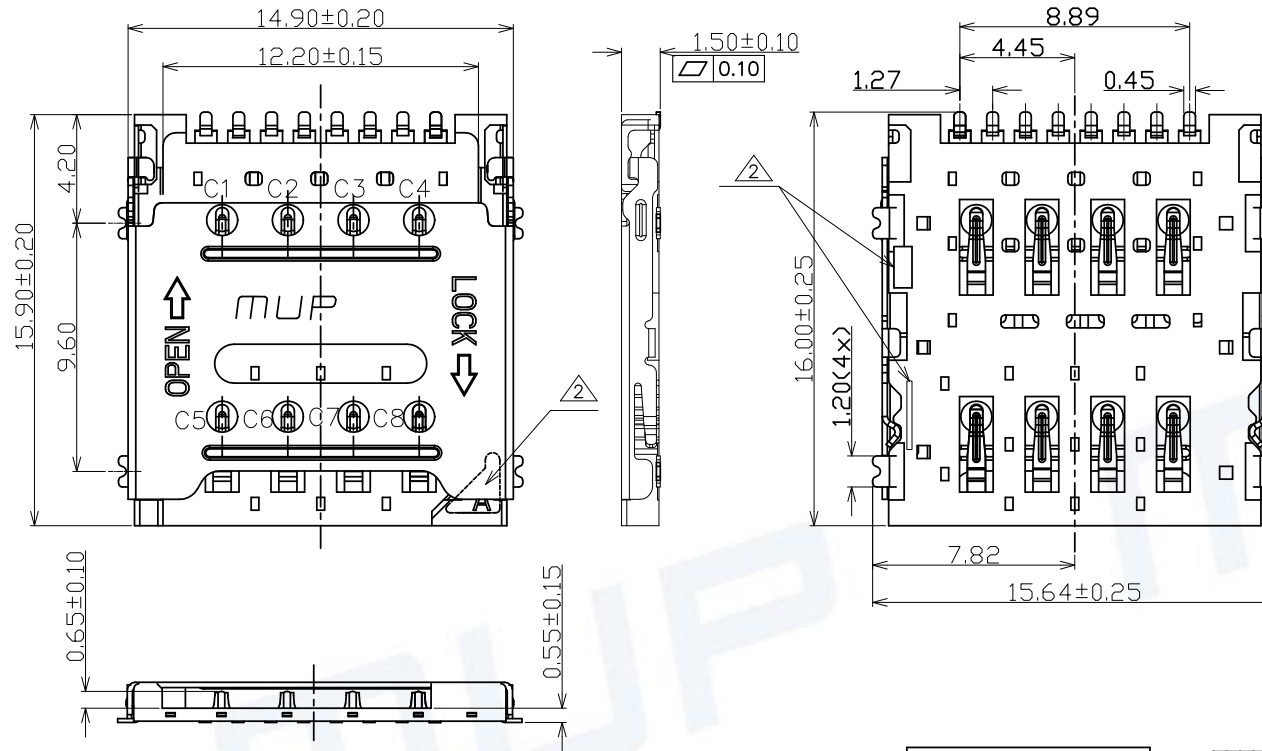


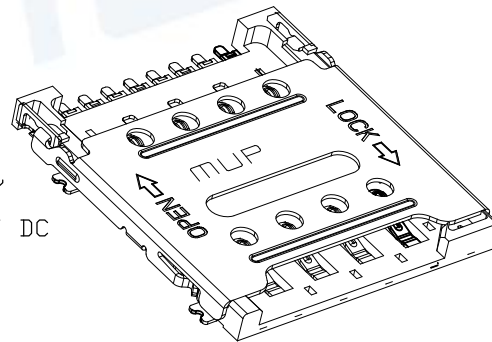
REV.	DESCRIPTION OF REVISIONS	APPR.	CHKD.	DRAW.	DATE
△	NEW REVISION			Henry	2015/03/13
△	Plastic change			Henry	2022/08/11
△	Original Model C791-4			Henry	2023/10/19



RECOMMENDED P.C.B LAYOUT
COMPONENT SIDE(TOLERANCE ±0.05)

TECHNICAL CHARACTERISTICS

- General Characteristics
Dimensions:15.90LX14.90WX1.50H mm
Weight:Approx 0.53±0.2g
Durability:5,000 cycles min.
 - Electrical Characteristics
Contact resistance:50mΩ typical,
100mΩMax
Insulation resistance:>1000M/500V DC
 - Solderability
Vaporphase:215°C, 30sec.Max
IR reflow:250°C,5sec.Max
Manual soldering:370°C.3sec.Max
 - Environmental Characteristics
Operating temperature:-40°C~+85°C
Operating humidity:10%~+75%RH
- *5.Note:



It's easy to cause short-circuit between the shell and the fillet weld leg at the power is on when lift the cover greater than 135 degree .
Suggestion:
Do not lift the cover when the current is switched on.

Micro SIM CARD	
Pin No.	NAME
C1	VCC
C2	RST
C3	CLK
C4	Reserved
C5	GND
C6	VPP
C7	I/O
C8	Reserved

- PAD AREA
- CONNECTOR OUTLINE
- NO PATTERN AND VIA HOLE IN THIS AREA

ITEM	PART NAME	Q'TY	MATERIAL	FINISH
1	HOUSING	1	Hi-temp Thermoplastic	Black UL94V-0
2	DATA CONTACT	8	Copper Alloy	Contact area:Gold plated
3	SHELL	1	Stainless Steel	

Unless otherwise specified, other tolerance are:		MUP [®] MUP INDUSTRIAL CO.,LTD.		
X ±0.35	X* ±5*			NAME: Micro-SIM Card Connector
X.X ±0.25	X.X* ±4*			MODEL NO: MUP-C7091-04
X.XX ±0.15	X.XX* ±3*			TYPE : H1.50mm 8 PIN(Long shell &New Body)
X.XXX ±0.10	X.XXX* ±2*	PROJ. UNIT mm SCALE 1:1	DRAWN Henry Mar.13.2015 DWG NO. : DWG-C7091-04-01	
CUSTOMER DRAWING		CHECKED Henry Mar.13.2015	SHEET 1/1 REVISION 3	
		APPROVAL Simon Mar.13.2015		



X-ON Electronics

Largest Supplier of Electrical and Electronic Components

Click to view similar products for [Memory Card Connectors](#) category:

Click to view products by [Murata](#) manufacturer:

Other Similar products are found below :

[6407-249V-25273P](#) [6407-249V-25343P](#) [6426-201-21343](#) [69.920.0553.0](#) [MCR60A-98D-2.54DSA\(70\)](#) [809180410000000](#) [DM3AT-SF-PEJM5\(41\)](#) [IC11S-BUR-PNEJL\(71\)](#) [C70210M0083692](#) [2041353-2](#) [308-DS1P0811-192](#) [HM2P09PDR360N9LF](#) [10014744-011TLF](#) [11327-001](#) [11327-002](#) [NX1-32T-KT3K\(05\)](#) [95622-003LF](#) [84648-056HLF](#) [CCM03-3109 B LFT](#) [MS3116J10-6PW](#) [2309923-1](#) [61126-050CAHLF](#) [GTFP08432B1HR](#) [G85D1160022HHR](#) [SCE2MSDB76A121SN](#) [SCE2MSDZN76A121SN](#) [10014744-011ALF](#) [10014744-011LF](#) [10057542-1211FLF](#) [10067972-000LF](#) [10067972-050LF](#) [10122302-20110LF](#) [G85D1162022HHR](#) [TF-05A](#) [XKNANO-1412](#) [SMN-304-ARP6](#) [MIS11-S1F1-2000-A](#) [SMN-308-ARSP7](#) [MCS-302S-KT1B](#) [SMN-308-ACSP7](#) [K-DYX-008](#) [K-DYX-004](#) [HYCW126-TF18-150B](#) [C7024-03](#) [SMO-1030](#) [MCS-110-KT](#) [SIM-217](#) [SNO-1355-KT](#) [SMO-1025-P10](#) [SIM-211S-P6](#)