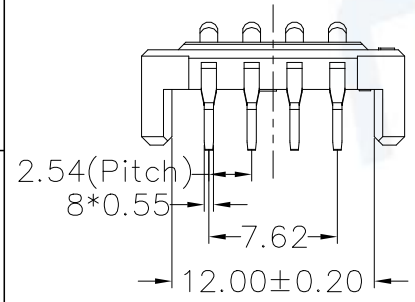
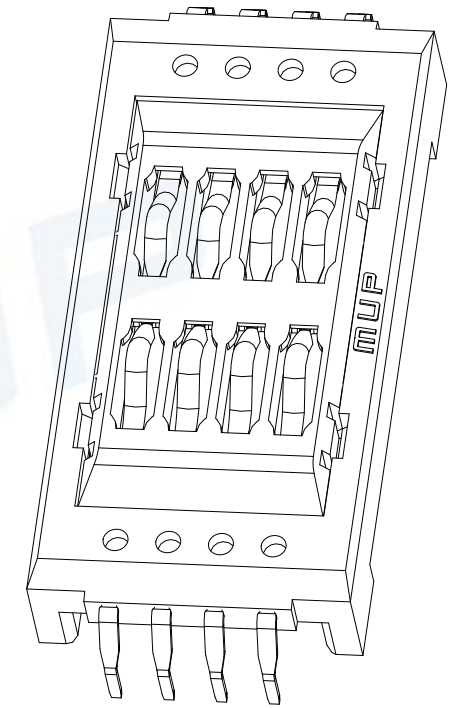
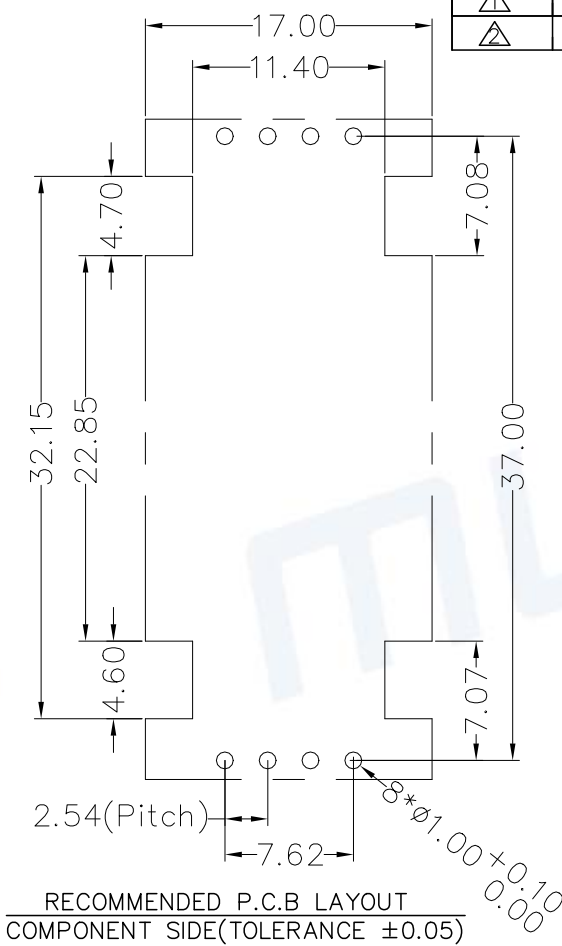
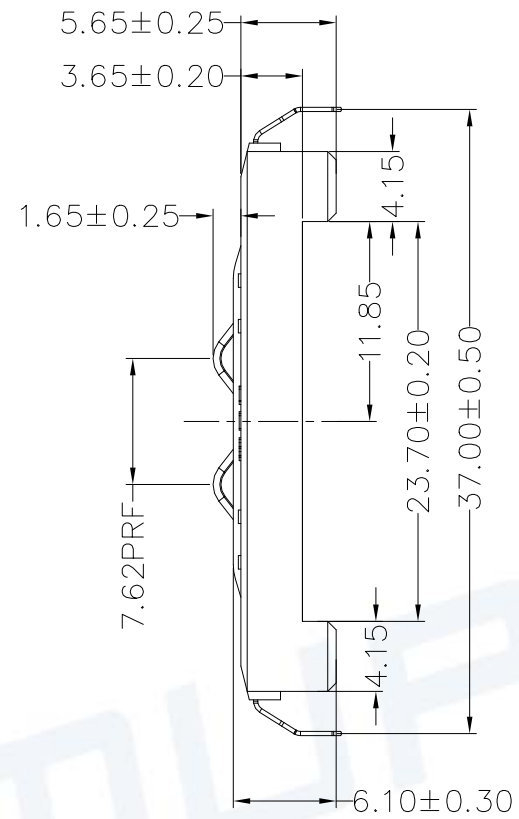
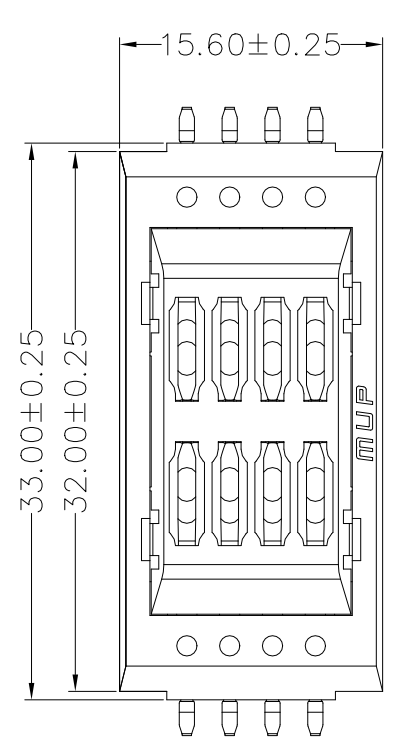


REV.	DESCRIPTION OF REVISIONS	APPR.	CHEC.	DRAW.	DATE
△	NEW			Keey	2019/08/01
△	Original Model C7302-1			Jack	2023/10/19



RECOMMENDED P.C.B LAYOUT
COMPONENT SIDE(TOLERANCE ±0.05)

TECHNICAL CHARACTERISTICS

1.General Characteristics
 Dimensions: 33.00LX15.60WX6.10H mm
 Weight: Approx1.7±0.1g
 Durability: 500,000 cycles min.

2.Electrical Characteristics
 Contact resistance: 100mΩ typical, 200mΩ max
 Insulation resistance: >1000MΩ/500V DC

3.Solderability
 Manual soldering: 370°C, 3sec.Max

4.Environmental Characteristics
 Operating temperature: -40°C~+80°C
 Operating humidity: 10%~+95%RH
 Contact force : 0.20~0.60 N.

ITEM	PART NAME	Q'TY	MATERIAL	FINISH
1	BASE	1	Hi-temp Thermoplastic	PBT Black UL94V-0
2	COVER	1	Hi-temp Thermoplastic	PBT Black UL94V-0
3	DATA CONTACT	8	Copper Alloy	Contact area: 30μ" Au plated

Unless otherwise specified, other tolerance are:

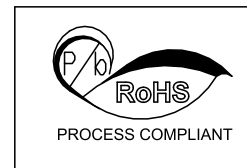
MUP MUP INDUSTRIAL CO.,LTD.

NAME: **Smart Card Acceptor**

MODEL NO: **MUP-C7302-01**

TYPE :

PROJ.	UNIT	SCALE	DRAWN	Keey 2019/08/01	DWG NO.:
⊕	mm	1:1	CHECKED	Jack 2019/08/01	DWG-C7302-01-01
CUSTOMER DRAWING			APPROVAL	Miaing2019/08/01	SHEET
					1/1
					REVISION
					2



X-ON Electronics

Largest Supplier of Electrical and Electronic Components

Click to view similar products for [Memory Card Connectors](#) category:

Click to view products by [Murata](#) manufacturer:

Other Similar products are found below :

[6407-249V-25273P](#) [6407-249V-25343P](#) [6426-201-21343](#) [69.920.0553.0](#) [MCR60A-98D-2.54DSA\(70\)](#) [809180410000000](#) [DM3AT-SF-PEJM5\(41\)](#) [IC11S-BUR-PNEJL\(71\)](#) [C70210M0083692](#) [2041353-2](#) [308-DS1P0811-192](#) [HM2P09PDR360N9LF](#) [10014744-011TLF](#) [11327-001](#) [11327-002](#) [NX1-32T-KT3K\(05\)](#) [95622-003LF](#) [84648-056HLF](#) [CCM03-3109 B LFT](#) [MS3116J10-6PW](#) [2309923-1](#) [61126-050CAHLF](#) [GTFP08432B1HR](#) [G85D1160022HHR](#) [SCE2MSDB76A121SN](#) [SCE2MSDZN76A121SN](#) [10014744-011ALF](#) [10014744-011LF](#) [10057542-1211FLF](#) [10067972-000LF](#) [10067972-050LF](#) [10122302-20110LF](#) [G85D1162022HHR](#) [TF-05A](#) [M6014-12](#) [XKNANO-1412](#) [SMN-304-ARP6](#) [MIS11-S1F1-2000-A](#) [SMN-308-ARSP7](#) [MCS-302S-KT1B](#) [SMN-308-ACSP7](#) [K-DYX-008](#) [K-DYX-004](#) [C7024-03](#) [SMO-1030](#) [MCS-110-KT](#) [SIM-217](#) [SNO-1355-KT](#) [SMO-1025-P10](#) [SIM-211S-P6](#)