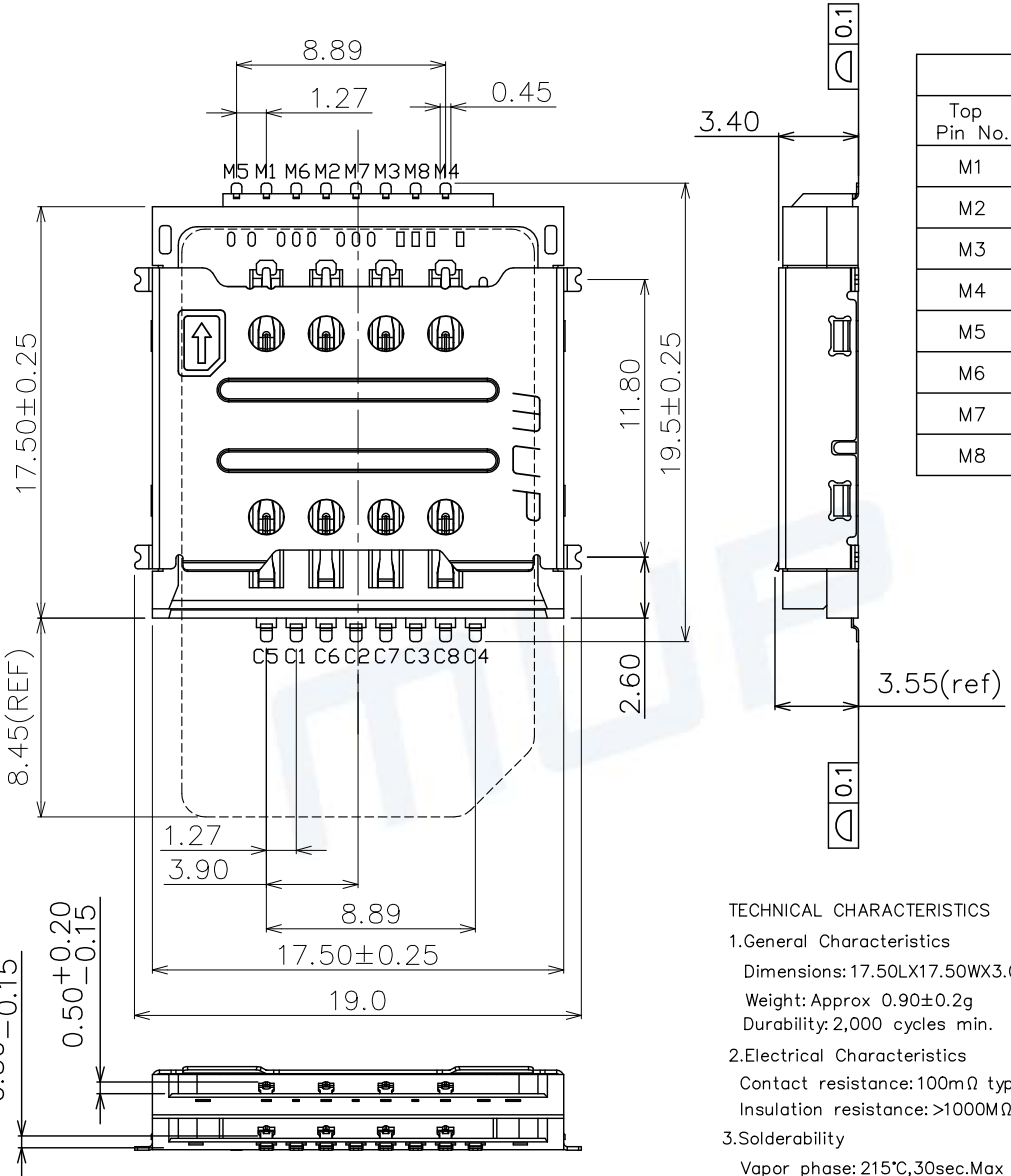
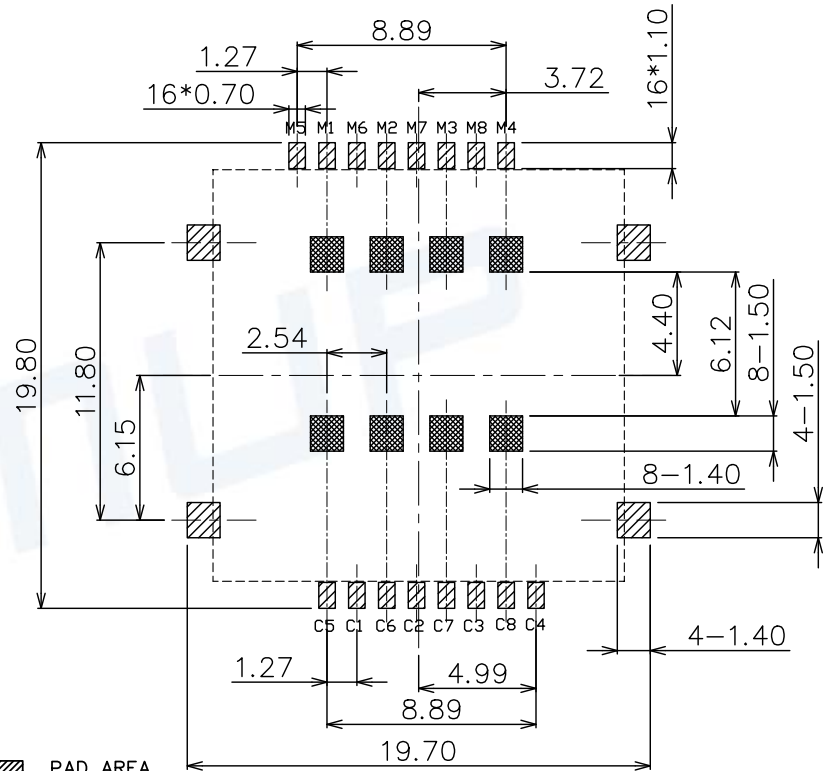


REV.	DESCRIPTION OF REVISIONS	APPR.	CHKD.	DRAW.	DATE
①	NEW			HUABO	2022/7/19
②	Original Model: C7406-1			HUABO	2023/10/28



SIM CARD		
Top Pin No.	Bottom Pin No.	Assignment
M1	C1	VCC
M2	C2	RST
M3	C3	CLK
M4	C4	RFU
M5	C5	GND
M6	C6	VPP
M7	C7	I/O
M8	C8	RFU



PAD AREA  
 KEEP AREA  
 KEEP OUT AREA

RECOMMENDED P.C.B LAYOUT  
COMPONENT SIDE(TOLERANCE ±0.05)

**TECHNICAL CHARACTERISTICS**

**1.General Characteristics**  
 Dimensions: 17.50LX17.50WX3.00H mm  
 Weight: Approx 0.90±0.2g  
 Durability: 2,000 cycles min.

**2.Electrical Characteristics**  
 Contact resistance: 100mΩ typical, 200mΩ max  
 Insulation resistance: >1000MΩ/500V DC

**3.Solderability**  
 Vapor phase: 215°C, 30sec.Max  
 IR reflow: 250°C, 5sec.Max  
 Manual soldering: 370°C, 3sec.Max

**4.Environmental Characteristics**  
 Operating temperature: -40°C~+85°C  
 Operating humidity: 10%~+95%RH

ITEM	PART NAME	Q'TY	MATERIAL	FINISH
1	BASE	2	Hi-temp Thermoplastic	Black UL94V-0
2	SHELL	1	Stainless steel	Solder area:Gold plated
3	DATA CONTACT	16	Copper Alloy	Contact area:Gold plated Solder area:Tin plated

Unless otherwise specified, other tolerance are:

**MUP<sup>®</sup> MUP INDUSTRIAL CO.,LTD.**

NAME: **SIM Card Connector**

MODEL NO: **MUP-C7406-01**

TYPE: **H3.4 without post 8p**

PROJ.	UNIT	SCALE	DRAWN	HUABO	2022/7/19	DWG NO.:
	mm	1:1	CHECKED	HUABO	2022/7/19	DWG-C7406-01-01
CUSTOMER DRAWING			APPROVAL	Zoey	2022/7/19	SHEET
					1/1	REVISION
						2



## X-ON Electronics

Largest Supplier of Electrical and Electronic Components

*Click to view similar products for [Memory Card Connectors](#) category:*

*Click to view products by [Murata](#) manufacturer:*

Other Similar products are found below :

[6407-249V-25273P](#) [6407-249V-25343P](#) [6426-201-21343](#) [69.920.0553.0](#) [MCR60A-98D-2.54DSA\(70\)](#) [809180410000000](#) [DM3AT-SF-PEJM5\(41\)](#) [IC11S-BUR-PNEJL\(71\)](#) [C70210M0083692](#) [2041353-2](#) [308-DS1P0811-192](#) [HM2P09PDR360N9LF](#) [10014744-011TLF](#) [11327-001](#) [11327-002](#) [NX1-32T-KT3K\(05\)](#) [95622-003LF](#) [84648-056HLF](#) [CCM03-3109 B LFT](#) [MS3116J10-6PW](#) [2309923-1](#) [61126-050CAHLF](#) [GTFP08432B1HR](#) [G85D1160022HHR](#) [SCE2MSDB76A121SN](#) [SCE2MSDZN76A121SN](#) [10014744-011ALF](#) [10014744-011LF](#) [10057542-1211FLF](#) [10067972-000LF](#) [10067972-050LF](#) [10122302-20110LF](#) [G85D1162022HHR](#) [TF-05A](#) [M6014-12](#) [XKNANO-1412](#) [SMN-304-ARP6](#) [MIS11-S1F1-2000-A](#) [SMN-308-ARSP7](#) [MCS-302S-KT1B](#) [SMN-308-ACSP7](#) [K-DYX-008](#) [K-DYX-004](#) [C7024-03](#) [SMO-1030](#) [MCS-110-KT](#) [SIM-217](#) [SNO-1355-KT](#) [SMO-1025-P10](#) [SIM-211S-P6](#)