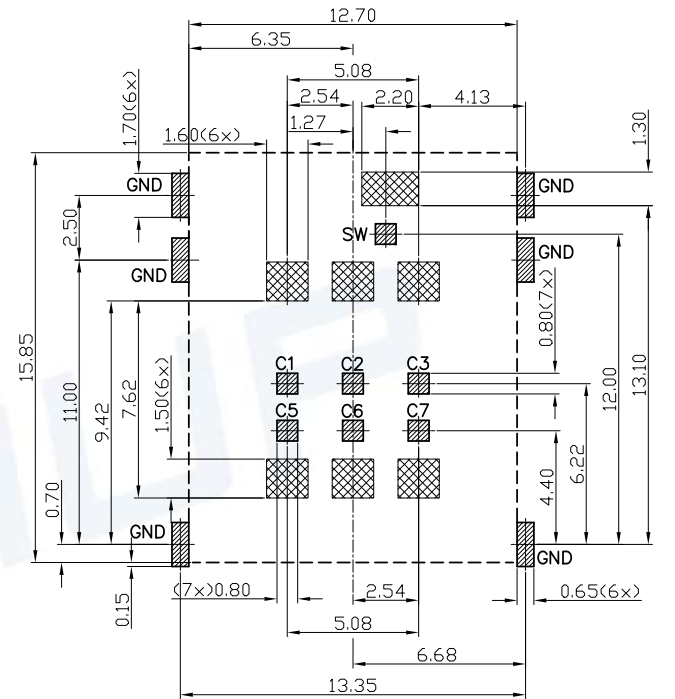
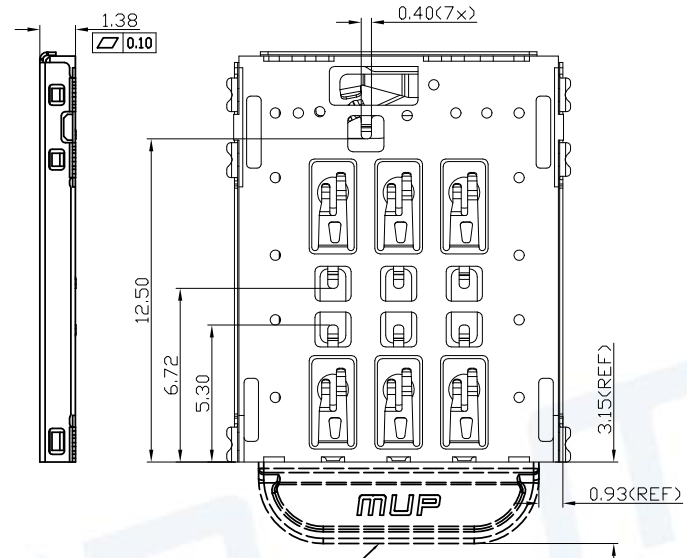
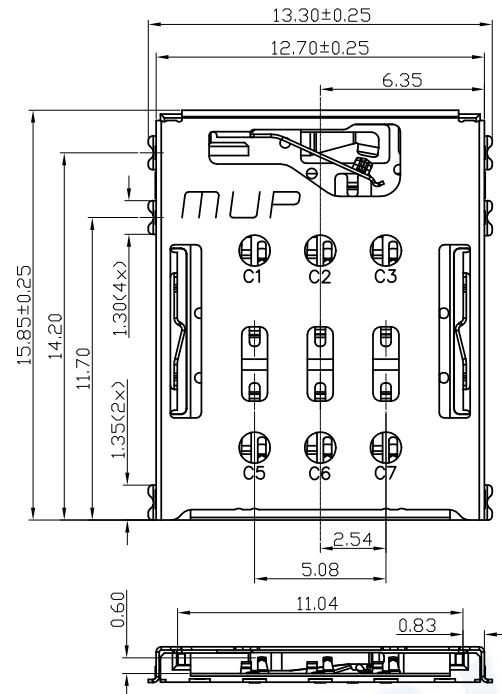
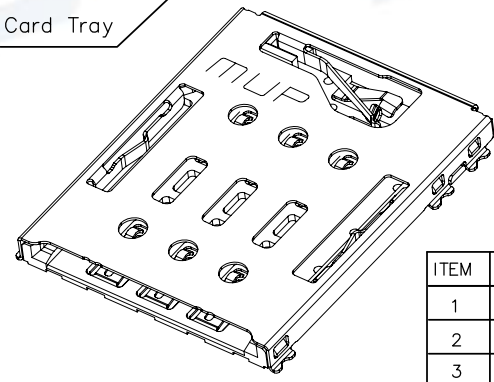


REV.	DESCRIPTION OF REVISIONS	APPR.	CHKD.	DRAW.	DATE
△	NEW			Henry	2018/04/14
△	Original Model C7803-1			Henry	2023/10/20

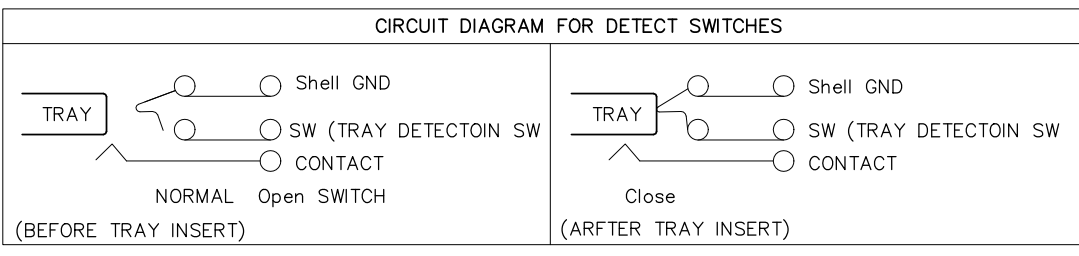


TECHNICAL CHARACTERISTICS
1.General Characteristics
 Dimensions:15.85LX12.70WX1.38H mm
 TRAY MATING FORCE:2~10N
 TRAY UNMATING FORCE:2~10N
 Durability:1,500 cycles min.
2.Electrical Characteristics
 Contact resistance:50mΩ typical, 150mΩMax
 Insulation resistance:>1000M/500V DC
3.Solderability
 Vaporphase:215°C, 30sec.Max
 IR reflow:260°C,5sec.Max
 Manual soldering:370°C.3sec.Max
4.Environmental Characteristics
 Operating temperature:-40°C~+85°C
 Operating humidity:10%~+95%RH

NANO SIM CARD	
Pin No.	ASSIGNMENT
C1	VCC(SUPPLY VOLTAGE)
C2	RST(RESET SIGNAL)
C3	CLK(CLOCK SIGNAL)
SW	DETECTION SWITCH
GND	GND
C5	GND
C6	VPP(VARIABLE SUPPLY VOLTAGE)
C7	I/O(DATA INPUT/OUTPUT)



ITEM	PART NAME	Q'TY	MATERIAL	FINISH
1	HOUSING	1	Hi-temp Thermoplastic	Black UL94V-0
2	DATA CONTACT	6	Copper Alloy	Contact area:Gold plated
3	SWITCH	1	Copper Alloy	Contact area:Gold plated
4	SHELL	1	Stainless Steel	Solder area:Gold plated



Unless otherwise specified, other tolerance are:

X ±0.35	X* ±5°
X.X ±0.25	X.X* ±4°
X.XX ±0.15	X.XX* ±3°
X.XXX ±0.10	X.XXX* ±2°

MUP MUP INDUSTRIAL CO.,LTD.

NAME: **SINGLE NANO-SIM Card Connector**
 MODEL NO: **MUP-C7803-01**
 TYPE: **H1.38mm Normally Open with Card Tray type**

PROJ.	UNIT	SCALE	DRAWN	Henry Ou.04.2018	DWG NO.:
⊕	mm	1:1	CHECKED	Henry Ou.04.2018	DWG-C7803-01-01
CUSTOMER DRAWING			APPROVAL	Simon 04.2018	SHEET
					1/1
					REVISION
					2



X-ON Electronics

Largest Supplier of Electrical and Electronic Components

Click to view similar products for [Memory Card Connectors](#) category:

Click to view products by [Murata](#) manufacturer:

Other Similar products are found below :

[6407-249V-25273P](#) [6407-249V-25343P](#) [6426-201-21343](#) [69.920.0553.0](#) [MCR60A-98D-2.54DSA\(70\)](#) [809180410000000](#) [DM3AT-SF-PEJM5\(41\)](#) [IC11S-BUR-PNEJL\(71\)](#) [C70210M0083692](#) [2041353-2](#) [308-DS1P0811-192](#) [HM2P09PDR360N9LF](#) [10014744-011TLF](#) [11327-001](#) [11327-002](#) [NX1-32T-KT3K\(05\)](#) [95622-003LF](#) [84648-056HLF](#) [CCM03-3109 B LFT](#) [MS3116J10-6PW](#) [2309923-1](#) [61126-050CAHLF](#) [GTFP08432B1HR](#) [G85D1160022HHR](#) [SCE2MSDB76A121SN](#) [SCE2MSDZN76A121SN](#) [10014744-011ALF](#) [10014744-011LF](#) [10057542-1211FLF](#) [10067972-000LF](#) [10067972-050LF](#) [10122302-20110LF](#) [G85D1162022HHR](#) [TF-05A](#) [M6014-12](#) [XKNANO-1412](#) [SMN-304-ARP6](#) [MIS11-S1F1-2000-A](#) [SMN-308-ARSP7](#) [MCS-302S-KT1B](#) [SMN-308-ACSP7](#) [K-DYX-008](#) [K-DYX-004](#) [C7024-03](#) [SMO-1030](#) [MCS-110-KT](#) [SIM-217](#) [SNO-1355-KT](#) [SMO-1025-P10](#) [SIM-211S-P6](#)