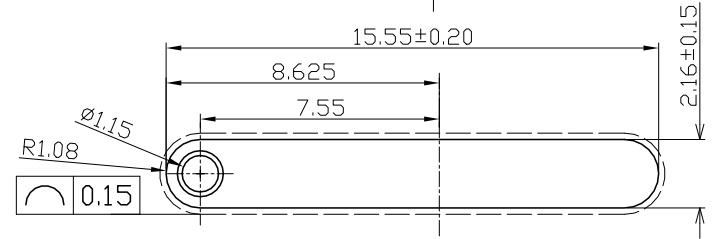
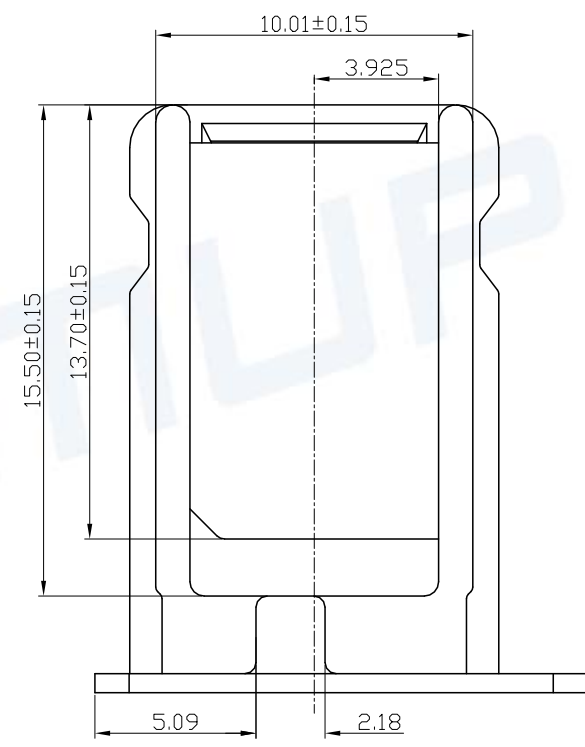
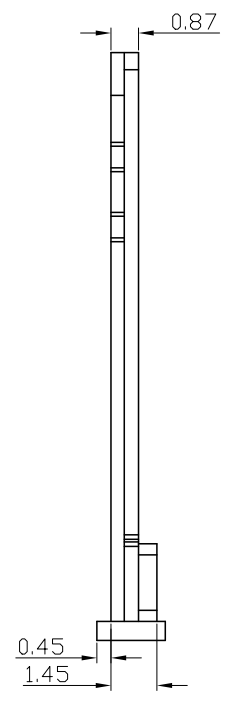
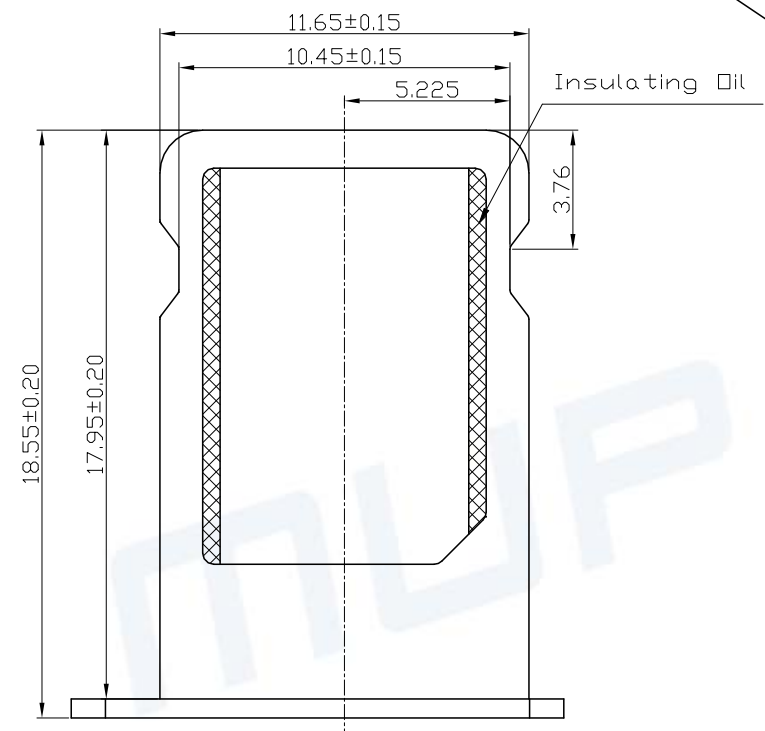
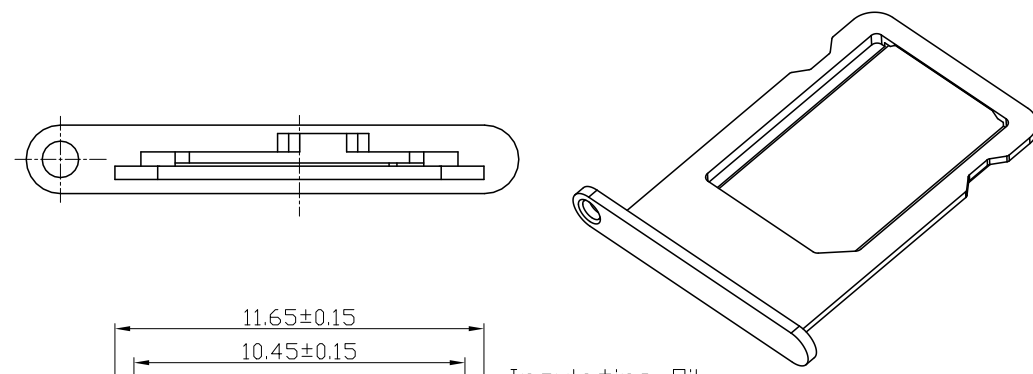


REV.	DESCRIPTION OF REVISIONS	APPR.	CHKD.	DRAW.	DATE
△	NEW			Henry	2019/03/12
△	Original Model C7804-32A			Henry	2023/10/23



NOTE:
 1.Powder Metallurgy Material: Stainless Steel (e.g. 17-4PH F)
 2.Finish: PVD/Electrophoresis
 3.Appearance is not Acceptable: Corrosion,Poor Coating ,Scratches, Warping Sharp Edges(saw burrs),Bumps,Poor Plating, Stains
 4.Surface needs to be Done to Deal with Passivation
 5.Unless otherwise 0.10mm Round;
 6.Please Contact PROMAX Sales Representative to Verify Product Details.

ITEM	PART NAME	Q'TY	MATERIAL	FINISH
1	METAL BODY	1	STAINLESS STEEL	PVD/Electrophoresis
2		1		

Unless otherwise specified, other tolerance are:

MUP MUP INDUSTRIAL CO.,LTD.

X ±0.35	X* ±5°	NAME:	SIM CARD TRAY	
X.X ±0.25	X.X* ±4°	MODEL NO:	MUP-C7804-32	
X.XX ±0.15	X.XX* ±3°	TYPE :	With Cap of the card tray / Silvery white	
X.XXX ±0.10	X.XXX* ±2°	PROJ.	UNIT	SCALE
		DRAWN	Henry Mar.12.2019	DWG NO.:
		CHECKED	Henry Mar.12.2019	DWG-C7804-32-01
		APPROVAL	Simon Mar.12.2019	SHEET
				1/1
				REVISION
				2

CUSTOMER DRAWING



X-ON Electronics

Largest Supplier of Electrical and Electronic Components

Click to view similar products for [Memory Card Connectors](#) category:

Click to view products by [Murata](#) manufacturer:

Other Similar products are found below :

[6407-249V-25273P](#) [6407-249V-25343P](#) [6426-201-21343](#) [69.920.0553.0](#) [MCR60A-98D-2.54DSA\(70\)](#) [809180410000000](#) [DM3AT-SF-PEJM5\(41\)](#) [IC11S-BUR-PNEJL\(71\)](#) [C70210M0083692](#) [2041353-2](#) [308-DS1P0811-192](#) [HM2P09PDR360N9LF](#) [10014744-011TLF](#) [11327-001](#) [11327-002](#) [NX1-32T-KT3K\(05\)](#) [95622-003LF](#) [84648-056HLF](#) [CCM03-3109 B LFT](#) [MS3116J10-6PW](#) [2309923-1](#) [61126-050CAHLF](#) [GTFP08432B1HR](#) [G85D1160022HHR](#) [SCE2MSDB76A121SN](#) [SCE2MSDZN76A121SN](#) [10014744-011ALF](#) [10014744-011LF](#) [10057542-1211FLF](#) [10067972-000LF](#) [10067972-050LF](#) [10122302-20110LF](#) [G85D1162022HHR](#) [TF-05A](#) [M6014-12](#) [XKNANO-1412](#) [SMN-304-ARP6](#) [MIS11-S1F1-2000-A](#) [SMN-308-ARSP7](#) [MCS-302S-KT1B](#) [SMN-308-ACSP7](#) [K-DYX-008](#) [K-DYX-004](#) [C7024-03](#) [SMO-1030](#) [MCS-110-KT](#) [SIM-217](#) [SNO-1355-KT](#) [SMO-1025-P10](#) [SIM-211S-P6](#)