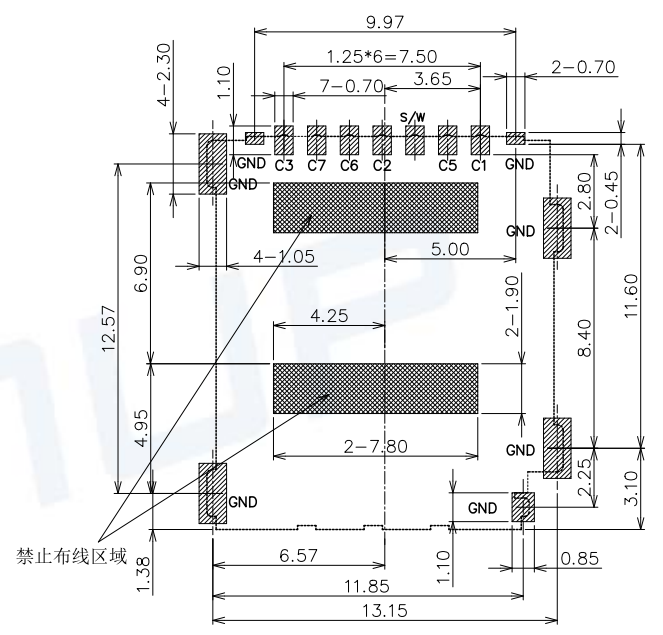
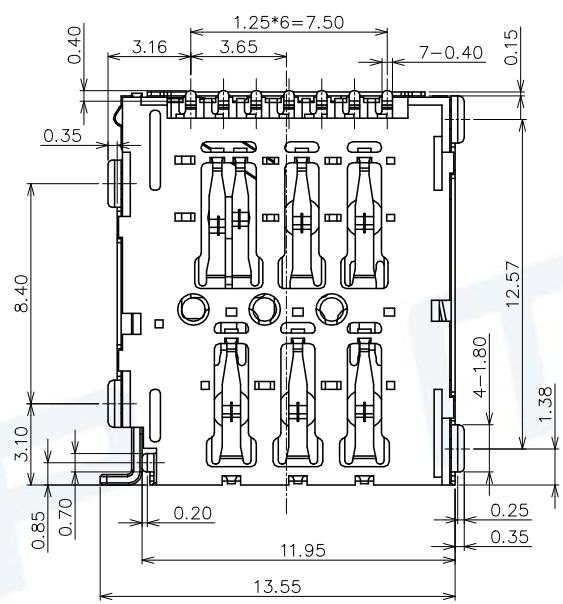
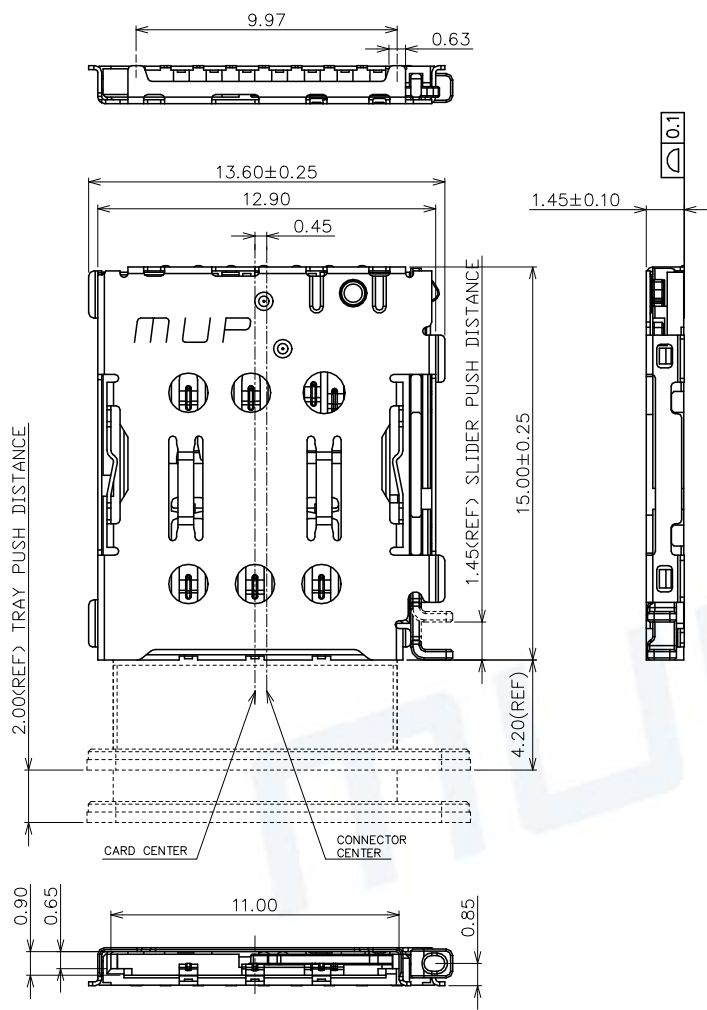


REV.	DESCRIPTION OF REVISIONS	APPR.	CHKD.	DRAW.	DATE
1	NEW			HUABO	2021/09/29
2	Original Model: C7808-1			HUABO	2023/10/28



RECOMMENDED P.C.B LAYOUT COMPONENT SIDE (TOLERANCE ±0.05)

- PAD AREA
- CONNECTOR OUTLINE
- KEEP OUT AREA

**TECHNICAL CHARACTERISTICS**

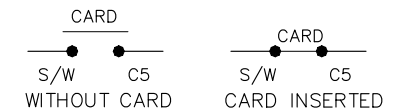
1.General Characteristics  
 Dimensions: 15.00LX12.90WX1.45H mm  
 TRAY MATING FORCE: 1~10N  
 TRAY UNMATING FORCE: 1~10N  
 Durability: 1,500 cycles min.

2.Electrical Characteristics  
 Contact resistance: 50mΩ typical, 150mΩMax  
 Insulation resistance: >1000M/500V DC  
 3.Solderability  
 IR reflow: 260°C, 5sec.Max  
 Manual soldering: 370°C, 3sec.Max

4.Environmental Characteristics  
 Operating temperature: -40°C~+85°C  
 Operating humidity: 10%~+95%RH

NANO SIM CARD	
Pin No.	ASSIGNMENT
C1	VCC(SUPPLY VOLTAGE)
C2	RST(RESET SIGNAL)
C3	CLK(CLOCK SIGNAL)
SW	DETECTION SWITCH
C5	GND
C6	VPP(VARIABLE SUPPLY VOLTAGE)
C7	I/O(DATA INPUT/OUTPUT)

ELECTRIC FUNCTION	DETECT SWITCH
WITHOUT CARD	OPEN
CARD INSERTED	CLOSED



SWITCH OPERATION DIAGRAM

ITEM	PART NAME	Q'TY	MATERIAL	FINISH
1	HOUSING	1	Hi-temp Thermoplastic	Black UL94V-0
2	DATA CONTACT	6	Copper Alloy	Contact area:Gold plated
3	SWITCH	1	Copper Alloy	Contact area:Gold plated
4	SHELL	1	Stainless Steel	Solder area:Gold plated
5	Lever	1	Stainless Steel	
6	Cam	1	Stainless Steel	

Unless otherwise specified, other tolerance are:

**MUP** MUP INDUSTRIAL CO.,LTD.

X ±0.35	X° ±5°	NAME: <b>SINGLE NANO-SIM Card Connector</b>
X.X ±0.25	X.X° ±4°	MODEL NO: <b>MUP-C7808-01</b>
X.XX ±0.15	X.XX° ±3°	TYPE: <b>H1.45mm Normally Open With Card Tray type</b>
X.XXX ±0.10	X.XXX° ±2°	

PROJ.	UNIT	SCALE	DRAWN	DATE	DWG NO.	SHEET	REVISION
①	mm	1:1	HUABO	Nov.29.2021	C7808-01-01	1/1	2
CUSTOMER DRAWING			CHECKED	Henry Nov.29.2021			
			APPROVAL	Simon Nov.29.2021			



## X-ON Electronics

Largest Supplier of Electrical and Electronic Components

*Click to view similar products for [Memory Card Connectors](#) category:*

*Click to view products by [Murata](#) manufacturer:*

Other Similar products are found below :

[6407-249V-25273P](#) [6407-249V-25343P](#) [6426-201-21343](#) [69.920.0553.0](#) [MCR60A-98D-2.54DSA\(70\)](#) [809180410000000](#) [DM3AT-SF-PEJM5\(41\)](#) [IC11S-BUR-PNEJL\(71\)](#) [C70210M0083692](#) [2041353-2](#) [308-DS1P0811-192](#) [HM2P09PDR360N9LF](#) [10014744-011TLF](#) [11327-001](#) [11327-002](#) [NX1-32T-KT3K\(05\)](#) [95622-003LF](#) [84648-056HLF](#) [CCM03-3109 B LFT](#) [MS3116J10-6PW](#) [2309923-1](#) [61126-050CAHLF](#) [GTFP08432B1HR](#) [G85D1160022HHR](#) [SCE2MSDB76A121SN](#) [SCE2MSDZN76A121SN](#) [10014744-011ALF](#) [10014744-011LF](#) [10057542-1211FLF](#) [10067972-000LF](#) [10067972-050LF](#) [10122302-20110LF](#) [G85D1162022HHR](#) [TF-05A](#) [M6014-12](#) [XKNANO-1412](#) [SMN-304-ARP6](#) [MIS11-S1F1-2000-A](#) [SMN-308-ARSP7](#) [MCS-302S-KT1B](#) [SMN-308-ACSP7](#) [K-DYX-008](#) [K-DYX-004](#) [C7024-03](#) [SMO-1030](#) [MCS-110-KT](#) [SIM-217](#) [SNO-1355-KT](#) [SMO-1025-P10](#) [SIM-211S-P6](#)