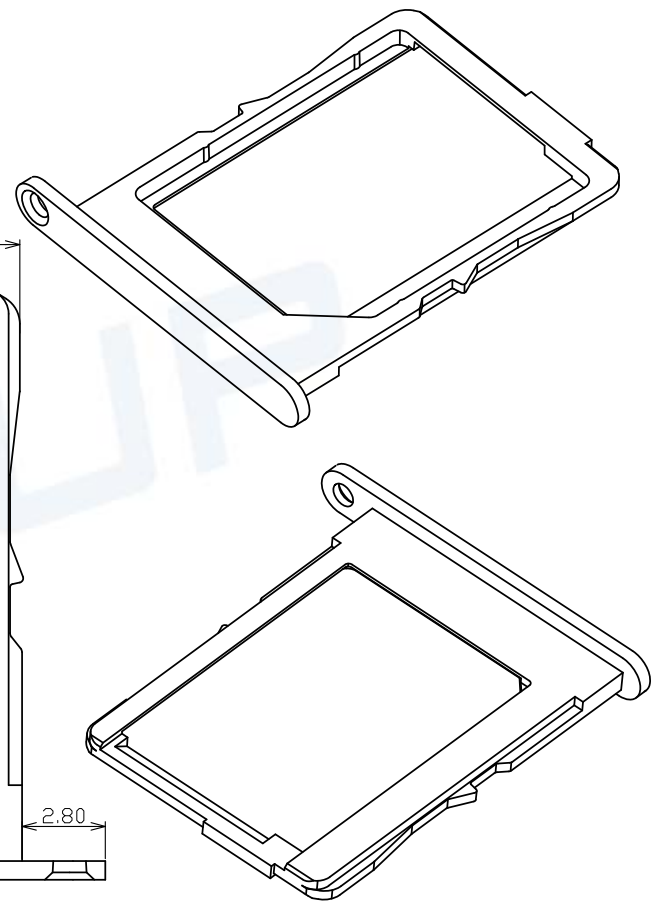
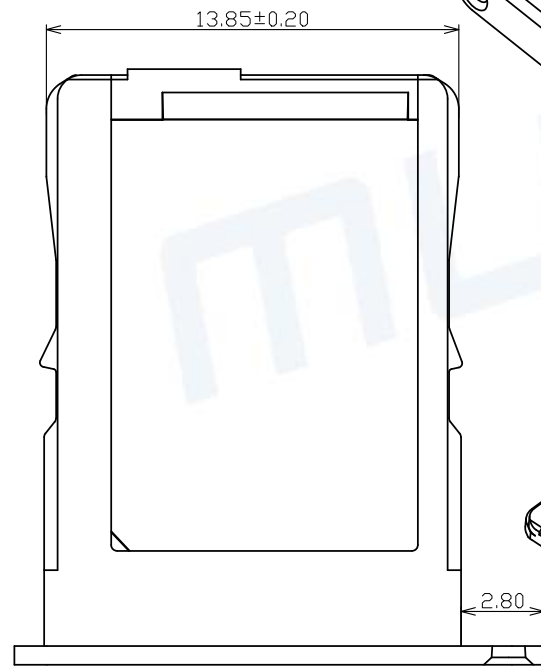
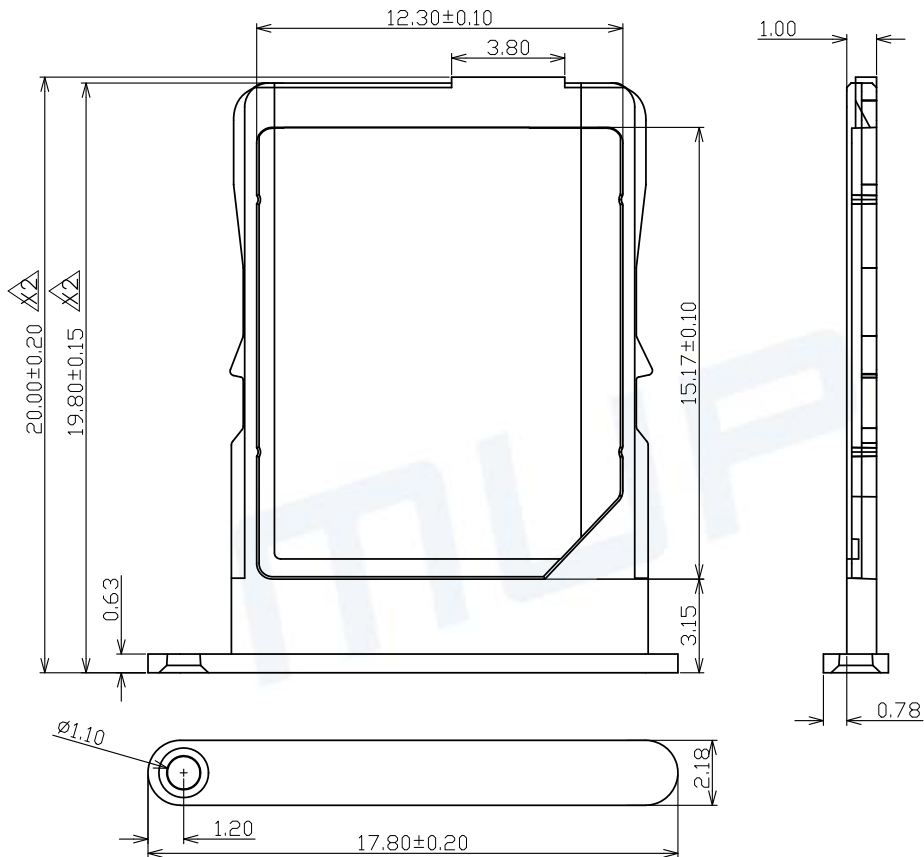
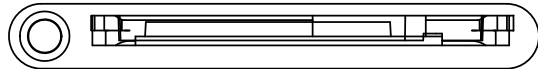


REV.	DESCRIPTION OF REVISIONS	APPR.	CHKD.	DRAW.	DATE
△	NEW			Henry	2018/04/14
△	Change DIM			Henry	2021/06/05
△	Original Model C7902-32A			Henry	2023/10/23



**NOTE:**

1. Powder Metallurgy Material: Stainless Steel /kirsite
2. Finish: PVD/Electrophoresis
3. Appearance is not Acceptable: Corrosion, Poor Coating, Scratches, Warping Sharp Edges (saw burrs), Bumps, Poor Plating, Stains
4. Surface needs to be Done to Deal with Passivation
5. Unless otherwise 0.10mm Round;
6. Please Contact PROMAX Sales Representative to Verify Product Details.

ITEM	PART NAME	Q'TY	MATERIAL	FINISH
1	METAL SHEET	1	STAINLESS STEEL	PVD/Electrophoresis
		1		

Unless otherwise specified, other tolerance are:

X	±0.35	X*	±5*
X.X	±0.25	X.X*	±4*
X.XX	±0.15	X.XX*	±3*
X.XXX	±0.10	X.XXX*	±2*

**MUP** MUP INDUSTRIAL CO.,LTD.

NAME: **Micro SIM CARD TRAY**  
 MODEL NO: **MUP-C7902-32**  
 TYPE: **With card cover /Silvery white**

PROJ.	UNIT	SCALE
PROJ.	mm	1:1

CUSTOMER DRAWING

DRAWN	Henry Ou.04.2018
CHECKED	Henry Ou.04.2018
APPROVAL	Simon 04.2018

DWG No.:	
DWG-C7902-32-01	
SHEET	REVISION
1/1	3



## X-ON Electronics

Largest Supplier of Electrical and Electronic Components

*Click to view similar products for [Memory Card Connectors](#) category:*

*Click to view products by [Murata](#) manufacturer:*

Other Similar products are found below :

[6407-249V-25273P](#) [6407-249V-25343P](#) [6426-201-21343](#) [69.920.0553.0](#) [MCR60A-98D-2.54DSA\(70\)](#) [809180410000000](#) [DM3AT-SF-PEJM5\(41\)](#) [IC11S-BUR-PNEJL\(71\)](#) [C70210M0083692](#) [2041353-2](#) [308-DS1P0811-192](#) [HM2P09PDR360N9LF](#) [10014744-011TLF](#) [11327-001](#) [11327-002](#) [NX1-32T-KT3K\(05\)](#) [95622-003LF](#) [84648-056HLF](#) [CCM03-3109 B LFT](#) [MS3116J10-6PW](#) [2309923-1](#) [61126-050CAHLF](#) [GTFP08432B1HR](#) [G85D1160022HHR](#) [SCE2MSDB76A121SN](#) [SCE2MSDZN76A121SN](#) [10014744-011ALF](#) [10014744-011LF](#) [10057542-1211FLF](#) [10067972-000LF](#) [10067972-050LF](#) [10122302-20110LF](#) [G85D1162022HHR](#) [TF-05A](#) [M6014-12](#) [XKNANO-1412](#) [SMN-304-ARP6](#) [MIS11-S1F1-2000-A](#) [SMN-308-ARSP7](#) [MCS-302S-KT1B](#) [SMN-308-ACSP7](#) [K-DYX-008](#) [K-DYX-004](#) [C7024-03](#) [SMO-1030](#) [MCS-110-KT](#) [SIM-217](#) [SNO-1355-KT](#) [SMO-1025-P10](#) [SIM-211S-P6](#)