

# DLW5ATN500MQ2#

“#” indicates a package specification code.

In Production

RoHS

REACH

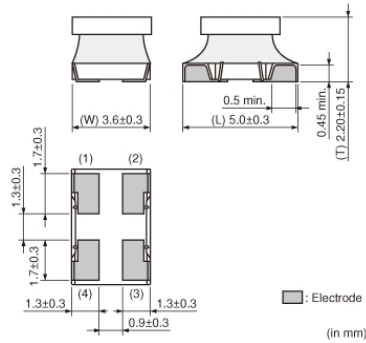
< List of part numbers with package codes >

DLW5ATN500MQ2B

DLW5ATN500MQ2K

DLW5ATN500MQ2L

## Appearance & Shape



## Packaging Information

| Packaging | Specifications      | Standard Packing Quantity |
|-----------|---------------------|---------------------------|
| B         | Bulk(Bag)           | 100                       |
| K         | 330mm Embossed Tape | 2500                      |
| L         | 180mm Embossed Tape | 700                       |

## Features

1. Low profile(h=2.35mm max.)
2. Small size(5.0x3.6mm)
3. Large Current Available (2A to 6A)
4. Operating Temperature Range -40°C to +105°C
5. Reflow and Flow soldering Available

## Applications

|             |             |
|-------------|-------------|
| Other Usage | For general |
|-------------|-------------|

### Application

Noise suppression for power line

1. Power line equipment  
DC/DC converter  
battery charger
2. Portable equipment  
PDA(Personal Digital Assistance)  
note PC  
printer  
DVC

### Attention

1. This datasheet is downloaded from the website of Murata Manufacturing Co., Ltd. Therefore, its specifications are subject to change or our products in it may be discontinued without advance notice. Please check with our sales representatives or product engineers before ordering.
2. This datasheet has only typical specifications because there is no space for detailed specifications. Therefore, please review our product specifications or consult the approval sheet for product specifications before ordering.

# DLW5ATN500MQ2#

“#” indicates a package specification code.



## Specifications

|   |   |
|---|---|
| Shape                                       | SMD   |
| Size Code (in mm)                           | 5036  |
| Size Code (in inch)                         | 2014  |
| Length                                      | 5.0mm   |
| Length Tolerance                            | ±0.3mm  |
| Width                                       | 3.6mm   |
| Width Tolerance                             | ±0.3mm  |
| Thickness                                   | 2.2mm   |
| Thickness Tolerance                         | ±0.15mm   |
| Common Mode Impedance (at 100MHz)           | 50Ω   |
| Common Mode Impedance (at 100MHz) Tolerance | (Typ.)  |
| Common Mode Impedance (at 10MHz)            | 4.6Ω  |
| Common Mode Impedance (at 10MHz) Tolerance  | min.  |
| Rated Current                               | 6A  |
| Derating of Rated Current                   | Yes (Over 85°C)<br>*For details, please check the derating diagram. |
| Rated Voltage                               | 100Vdc  |
| Withstanding Voltage                        | 250Vdc  |
| DC Resistance(max.)                         | 0.013Ω  |
| DC Resistance                               | 0.013Ω max.   |
| Insulation Resistance(min.)                 | 10MΩ  |
| Operating Temperature Range                 | -40°C to 105°C  |
| Mass(typ.)                                  | 0.14g   |

|  |    |
|--|----|
| Number of Circuit  | 1  |
| Operating Temperature Range(Self-temperature rise is included) | No |

### Attention

1.This datasheet is downloaded from the website of Murata Manufacturing Co., Ltd. Therefore, it's specifications are subject to change or our products in it may be discontinued without advance notice. Please check with our sales representatives or product engineers before ordering.

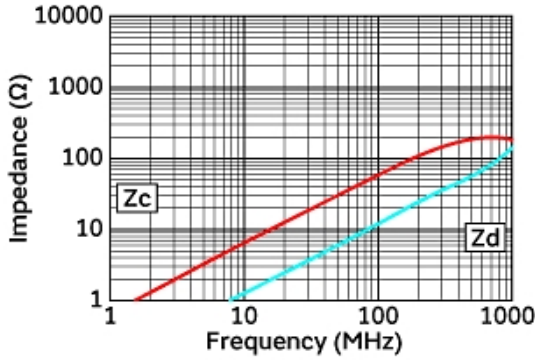
2.This datasheet has only typical specifications because there is no space for detailed specifications.

Therefore, please review our product specifications or consult the approval sheet for product specifications before ordering.

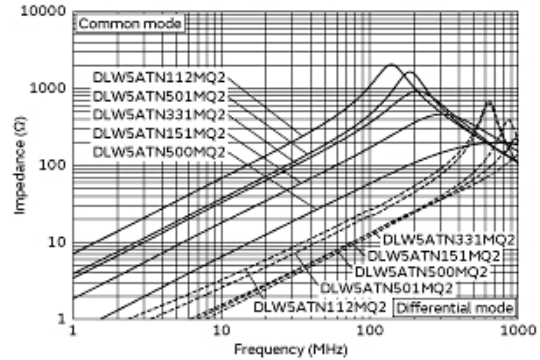
# DLW5ATN500MQ2#

“#” indicates a package specification code.

## Product Data



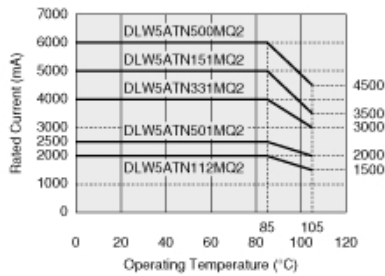
Impedance-Frequency Characteristics



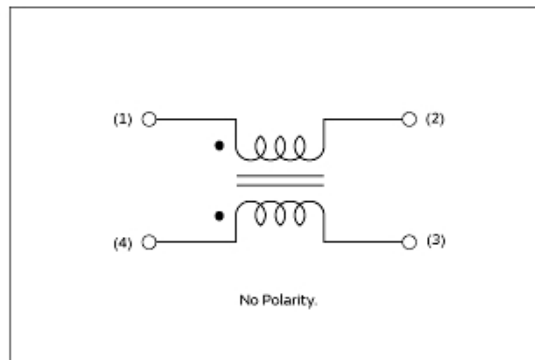
Impedance-Frequency Characteristics (Main Items)

In operating temperature exceeding +85°C, derating of current is necessary for DLW5AT series (105 degree C available type). Please apply the derating curve shown in chart according to the operating temperature.

### Derating of Rated Current



Derating of Rated Current



Equivalent Circuit

### Attention

1. This datasheet is downloaded from the website of Murata Manufacturing Co., Ltd. Therefore, its specifications are subject to change or our products in it may be discontinued without advance notice. Please check with our sales representatives or product engineers before ordering.
2. This datasheet has only typical specifications because there is no space for detailed specifications. Therefore, please review our product specifications or consult the approval sheet for product specifications before ordering.

## X-ON Electronics

Largest Supplier of Electrical and Electronic Components

*Click to view similar products for [Common Mode Chokes / Filters](#) category:*

*Click to view products by [Murata](#) manufacturer:*

Other Similar products are found below :

[74279408](#) [PE-62911NL](#) [PE-64683](#) [ST6118T-R](#) [T8114NLT](#) [RD5122-10-6M0](#) [TCM0806G-350-2P-T](#) [TCM0806G-650-2P-T](#) [IND-0110](#)  
[UAL21V07012500](#) [UAL21VR0802000](#) [UAL24VR06500CH](#) [UALSC023000000](#) [UALSC1020JH000](#) [UALSC1520JH000](#)  
[UALSU10VR20010](#) [UALSU16VD30030](#) [UALSU16VD40010](#) [UALSU9H0305000](#) [UALSU9HF060300](#) [UALSU9VD070100](#) [36-00037](#)  
[5701610000](#) [UALW21HS072450](#) [UALSU9VD070400](#) [UALSU9HF050500](#) [UALSU9H0208000](#) [UALSCF25081300](#) [UAL24VK06450CH](#)  
[PLT10HH501100PNB](#) [PLT10HH401100PNB](#) [PLT10HH1026R0PNB](#) [PE-67531](#) [EXC-X4CH120X](#) [TLH10UB 113 0R5](#) [2752041447](#)  
[2752045447](#) [CMS3-11-R](#) [7351V](#) [CMF16-153131](#) [744252510](#) [T8116NLT](#) [FE2X10-4-2NL](#) [744253200](#) [744253101](#) [744252220](#) [TX8111NLT](#)  
[UAL30VR3500470](#) [CTX01-19077-R](#) [T8003NLT](#)