

DLW5BTZ142TQ2#

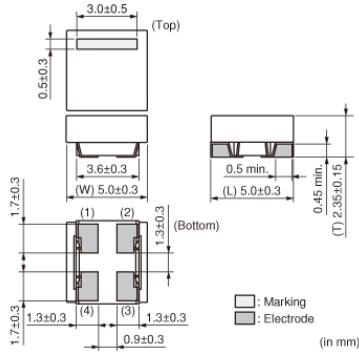
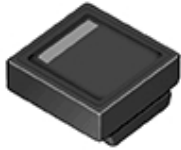
“#” indicates a package specification code.



< List of part numbers with package codes >

DLW5BTZ142TQ2B DLW5BTZ142TQ2K DLW5BTZ142TQ2L

Appearance & Shape



Packaging Information

| Packaging | Specifications | Standard Packing Quantity |
|-----------|---------------------|---------------------------|
| B | Bulk(Bag) | 100 |
| K | 330mm Embossed Tape | 2500 |
| L | 180mm Embossed Tape | 700 |

Features

- Features**
1. Low profile (h=2.5mm)
 2. Small size (5.0x5.0mm) and high rated current (1.5 to 4A)
 3. High common mode Impedance (max. 1400 ohm, at 100MHz)
 - 4 ·Operating Temperature Range -40°C to +105°C

Applications

| | |
|------------------|--------------|
| Automotive Usage | Infotainment |
|------------------|--------------|

Attention
1.This datasheet is downloaded from the website of Murata Manufacturing Co., Ltd. Therefore, it's specifications are subject to change or our products in it may be discontinued without advance notice. Please check with our sales representatives or product engineers before ordering.
2.This datasheet has only typical specifications because there is no space for detailed specifications. Therefore, please review our product specifications or consult the approval sheet for product specifications before ordering.

DLW5BTZ142TQ2#

indicates a package specification code.



Specifications

| | |
|--|----|
| Operating Temperature Range(Self-temperature rise is included) | No |
|--|----|

| | |
|---|----------------|
| Shape | SMD |
| Size Code (in mm) | 5050 |
| Size Code (in inch) | 2020 |
| Length | 5.0mm |
| Length Tolerance | ±0.3mm |
| Width | 5.0mm |
| Width Tolerance | ±0.3mm |
| Thickness | 2.35mm |
| Thickness Tolerance | ±0.15mm |
| Common Mode Impedance (at 100MHz) | 1400Ω |
| Common Mode Impedance (at 100MHz) Tolerance | (Typ.) |
| Common Mode Impedance (at 10MHz) | 100Ω |
| Common Mode Impedance (at 10MHz) Tolerance | min. |
| Rated Current | 1.5A |
| Derating of Rated Current | No |
| Rated Voltage | 100Vdc |
| Withstanding Voltage | 250Vdc |
| DC Resistance(max.) | 0.056Ω |
| DC Resistance | 0.056Ω max. |
| Insulation Resistance(min.) | 10MΩ |
| Operating Temperature Range | -40°C to 105°C |
| Mass(typ.) | 0.21g |
| Number of Circuit | 1 |

Attention


1.This datasheet is downloaded from the website of Murata Manufacturing Co., Ltd. Therefore, it's specifications are subject to change or our products in it may be discontinued without advance notice. Please check with our sales representatives or product engineers before ordering.

2.This datasheet has only typical specifications because there is no space for detailed specifications.

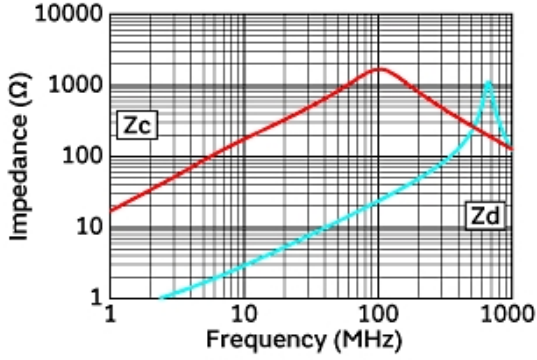
Therefore, please review our product specifications or consult the approval sheet for product specifications before ordering.

DLW5BTZ142TQ2#

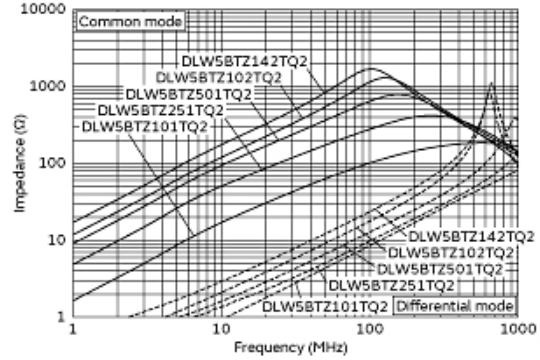
"#" indicates a package specification code.



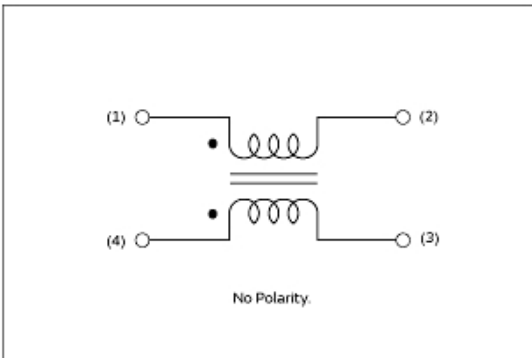
Product Data



Impedance-Frequency Characteristics



Impedance-Frequency Characteristics (Main Items)



Equivalent Circuit

Attention

- This datasheet is downloaded from the website of Murata Manufacturing Co., Ltd. Therefore, its specifications are subject to change or our products in it may be discontinued without advance notice. Please check with our sales representatives or product engineers before ordering.
- This datasheet has only typical specifications because there is no space for detailed specifications. Therefore, please review our product specifications or consult the approval sheet for product specifications before ordering.

X-ON Electronics

Largest Supplier of Electrical and Electronic Components

Click to view similar products for [Common Mode Chokes / Filters](#) category:

Click to view products by [Murata](#) manufacturer:

Other Similar products are found below :

[74279408](#) [PE-62911NL](#) [PE-64683](#) [ST6118T-R](#) [T8114NLT](#) [RD5122-10-6M0](#) [TCM0806G-350-2P-T](#) [TCM0806G-650-2P-T](#) [IND-0110](#)
[UAL21V07012500](#) [UAL21VR0802000](#) [UAL24VR06500CH](#) [UALSC023000000](#) [UALSC1020JH000](#) [UALSC1520JH000](#)
[UALSU10VR20010](#) [UALSU16VD30030](#) [UALSU16VD40010](#) [UALSU9H0305000](#) [UALSU9HF060300](#) [UALSU9VD070100](#) [36-00037](#)
[5701610000](#) [UALW21HS072450](#) [UALSU9VD070400](#) [UALSU9HF050500](#) [UALSU9H0208000](#) [UALSCF25081300](#) [UAL24VK06450CH](#)
[PLT10HH501100PNB](#) [PLT10HH401100PNB](#) [PLT10HH1026R0PNB](#) [PE-67531](#) [EXC-X4CH120X](#) [TLH10UB](#) [113 0R5](#) [2752041447](#)
[2752045447](#) [CMS3-11-R](#) [7351V](#) [CMF16-153131](#) [744252510](#) [T8116NLT](#) [FE2X10-4-2NL](#) [744253200](#) [744253101](#) [744252220](#) [TX8111NLT](#)
[UAL30VR3500470](#) [CTX01-19077-R](#) [T8003NLT](#)