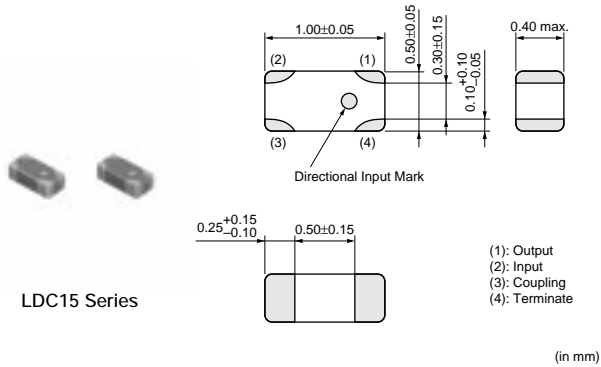
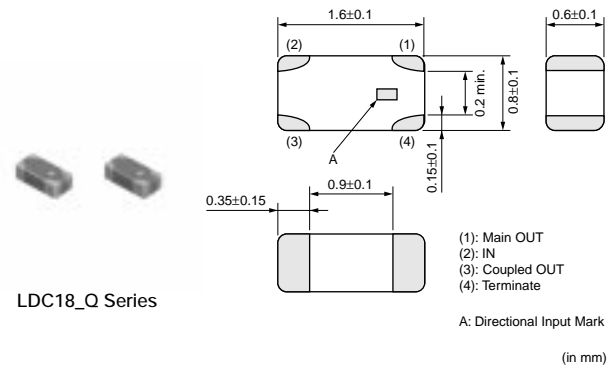


Chip Multilayer Hybrid Couplers

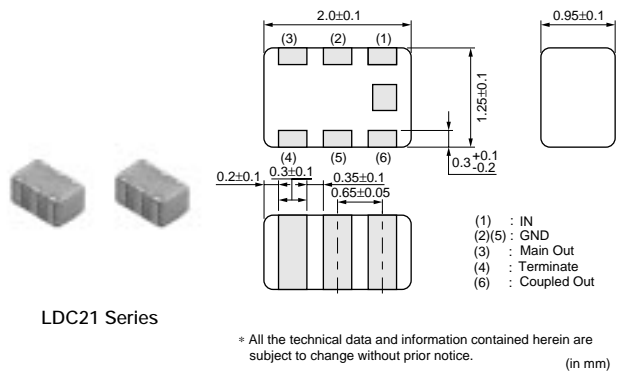
Directional Coupler



LDC15 Series



LDC18_Q Series



LDC21 Series

* All the technical data and information contained herein are subject to change without prior notice. (in mm)


Microwave Components

8

Part Number	Frequency Range (MHz)	Coupling (dB)	Insertion Loss (dB)	Isolation (min.) (dB)	VSWR (max.)	Characteristic Impedance (Nom.) (ohm)	Power Capacity (W)	Application
LDC15450M25Q-360	450 ±50MHz	25.1 ±1.8dB	0.15 max. (at 25°C)	38.0	1.5	-	3 max. (50ohm Load)	CDMA450
LDC15707M21Q-360	707 ±9MHz	21.1 ±1.0dB	0.23 max. (at 25°C)	35.0	1.4	-	3 max. (50ohm Load)	UMTS(Band12)
LDC15836M30Q-392	836.5 ±12.5MHz	30.6 ±1.0dB	0.20 max. (at 25°C)	38.0	1.4	-	3 max. (50ohm Load)	UMTS(Band5)
LDC15874M27Q-359	874 ±51MHz	27.2 ±1.0dB	0.20 max. (at 25°C)	42.0	1.4	50	3 max. (50ohm Load)	UMTS(Band5/8)
LDC15897M26SB008	897.5 ±17.5MHz	26.4 ±1.0dB	0.15 max. (at 25°C)	-	1.4	50	3 max. (50ohm Load)	UMTS(Band8)
LDC15906M19SB001	906.0 ±19.0MHz	19.3 ±1.0dB	0.22 max. (at 25°C)	-	1.4	50	3 max. (50ohm Load)	CDMA
LDC151G4418Q-352	1441 ±12MHz	18.9 ±1.0dB	0.23 max. (at 25°C)	32.0	1.4	50	3 max. (50ohm Load)	WCDMA
LDC151G7313Q-360	1732.5 ±22.5MHz	13.6 ±1.0dB	0.42 max. (at 25°C)	24.0	1.4	50	3 max. (50ohm Load)	UMTS(Band4)
LDC151G7424Q-392	1747 ±37.5MHz	24.1 ±1.0dB	0.20 max. (at 25°C)	30.0	1.4	50	3 max. (50ohm Load)	UMTS(Band4)
LDC151G7421Q-359	1747.5 ±37.5MHz	21.2 ±1.0dB	0.22 max. (at 25°C)	35.0	1.4	50	3 max. (50ohm Load)	UMTS(Band3)
LDC151G8117Q-352	1810 ±100MHz	17.0 ±1.2dB	0.25 max. (at 25°C)	32.0	1.4	50	3 max. (50ohm Load)	GSM
LDC151G8620Q-359	1865 ±115MHz	20.5 ±1.0dB	0.22 max. (at 25°C)	34.0	1.4	50	3 max. (50ohm Load)	UMTS(Band2)
LDC151G8824Q-393	1880 ±30MHz	24.7 ±1.0dB	0.20 max. (at 25°C)	32.0	1.4	50	3 max. (50ohm Load)	UMTS(Band2)

Continued on the following page.

Note • This PDF catalog is downloaded from the website of Murata Manufacturing co., Ltd. Therefore, it's specifications are subject to change or our products in it may be discontinued without advance notice. Please check with our sales representatives or product engineers before ordering.
 • This PDF catalog has only typical specifications because there is no space for detailed specifications. Therefore, please approve our product specifications or transact the approval sheet for product specifications before ordering.

 Continued from the preceding page.

Part Number	Frequency Range (MHz)	Coupling (dB)	Insertion Loss (dB)	Isolation (min.) (dB)	VSWR (max.)	Characteristic Impedance (Nom.) (ohm)	Power Capacity (W)	Application
LDC151G9120Q-359	1915 ±65MHz	20.4 ±1.0dB	0.22 max. (at 25°C)	34.0	1.4	50	3 max. (50ohm Load)	UMTS(Band1)
LDC151G9523Q-392	1950 ±30MHz	23.2 ±1.0dB	0.20 max. (at 25°C)	30.0	1.4	50	3 max. (50ohm Load)	UMTS(Band1)
LDC152G1419Q-359	2140 ±30MHz	19.4 ±1.0dB	0.26 max. (at 25°C)	33.0	1.5	50	3 max. (50ohm Load)	UMTS(Band1)
LDC152G3518Q-359	2350 ±50MHz	18.7 ±1.0dB	0.28 max. (at 25°C)	31.0	1.4	50	3 max. (50ohm Load)	WLAN
LDC152G4518Q-359	2450 ±50MHz	18.4 ±1.0dB	0.29 max. (at 25°C)	31.0	1.4	50	3 max. (50ohm Load)	WLAN
LDC152G5318Q-359	2535 ±35MHz	18.1 ±1.0dB	0.30 max. (at 25°C)	31.0	1.4	50	3 max. (50ohm Load)	UMTS(Band7)
LDC18836M32Q-370	836.5 ±12.5MHz	32.2 ±1.2dB	0.17 max. (at 25°C)	44.0	1.5	50	3 max. (50ohm Load)	UMTS(Band5)
LDC18897M20Q-361	897.5 ±17.5MHz	20.5 ±1.0dB	0.22 max. (at 25°C)	33.0	1.5	50	3 max. (50ohm Load)	UMTS(Band8)
LDC181G7426Q-370	1747.5 ±37.5MHz	26.0 ±1.2dB	0.17 max. (at 25°C)	49.0	1.5	50	3 max. (50ohm Load)	UMTS(Band4)
LDC181G8825Q-370	1880.0 ±30.0MHz	25.3 ±1.2dB	0.22 max. (at 25°C)	45.5	1.5	50	3 max. (50ohm Load)	UMTS(Band2)
LDC181G9525Q-370	1950.0 ±30.0MHz	25.0 ±1.2dB	0.22 max. (at 25°C)	44.0	1.5	50	3 max. (50ohm Load)	UMTS(Band1)
LDC21836M20B-027	836.5 ±12.5MHz	20.6 ±1.0dB	0.15 max. (at 25°C)	28.0	1.4	50	3 max. (50ohm Load)	CDMA
LDC211G8820B-042	1880.0 ±30.0MHz	20.0 ±1.0dB	0.23 max. (at 25°C)	26.0	1.4	50	3 max. (50ohm Load)	CDMA
LDC211G9517B-031	1950.0 ±30.0MHz	17.3 ±1.0dB	0.27 max. (at 25°C)	21.0	1.4	50	3 max. (50ohm Load)	UMTS(Band1)

Operating Temperature Range: -40°C to +85°C

X-ON Electronics

Largest Supplier of Electrical and Electronic Components

Click to view similar products for [Signal Conditioning](#) category:

Click to view products by [Murata](#) manufacturer:

Other Similar products are found below :

[MAPDCC0001](#) [MAPDCC0004](#) [PD0409J5050S2HF](#) [HHS-109-PIN](#) [AFS14A35-1591.50-T3](#) [DS-323-PIN](#) [DSS-313-PIN](#) [B39321R801H210](#)
[1A0220-3](#) [JP510S](#) [LFB212G45SG8C341](#) [LFB322G45SN1A504](#) [LFL182G45TC3B746](#) [SF2159E](#) [30057](#) [AFS1575.42S4-T](#) [FM-104-PIN](#)
[CER0813B](#) [MAPDCC0005](#) [3A325](#) [40287](#) [41180](#) [ATB3225-75032NCT](#) [BD0810N50100AHF](#) [JHS-115-PIN](#) [DC0710J5005AHF](#)
[DC2327J5005AHF](#) [43020](#) [LFB2H2G60BB1C106](#) [LFL15869MTC1B787](#) [X3C19F1-20S](#) [XC3500P-20S](#) [10013-20](#) [SF2194E](#)
[CDBLB455KCAX39-B0](#) [TGL2208-SM, EVAL](#) [RF1353C](#) [051157-0000](#) [PD0922J5050D2HF](#) [1E1305-3](#) [1F1304-3S](#) [1G1304-30](#)
[B0922J7575AHF](#) [10017-3](#) [TP-103-PIN](#) [BD1222J50200AHF](#) [BD1722J50100AHF](#) [2450DP39K5400E](#) [BD0810J50150AHF](#)
[BD1722J50200AHF](#)