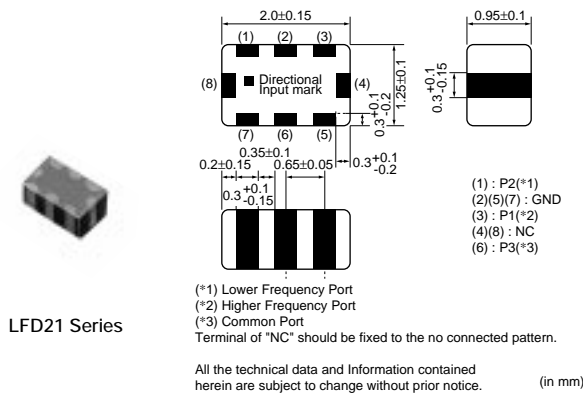
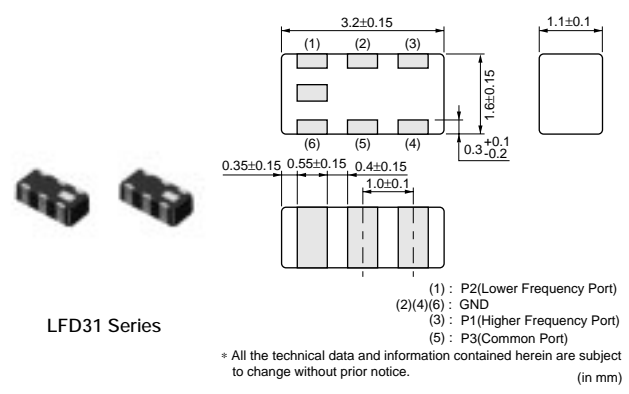


for RF/Local

Chip Multilayer Diplexers



LFD21 Series



LFD31 Series

Part Number	Frequency Range[P1](f1) (MHz)	Frequency Range[P2](f2) (MHz)	Insertion Loss [P1-P3](in f1) (dB)	Insertion Loss [P2-P3](in f2) (dB)	Attenuation [P1-P3](in f2) (dB)	Attenuation [P2-P3](in f1) (dB)
LFD21859MDP1A049	1920.0 ±70.0MHz	859.0 ±35.0MHz	0.45 max. (at 25°C)	0.40 max. (at 25°C)	19.0 min.	20.0 min.
LFD21884MDP1A062	1906.5 ±13.0MHz	884.0 ±74.0MHz	0.45 max. (at 25°C)	0.50 max. (at 25°C)	20.0 min.	20.0 min.
LFD21920MDP1A048	1795.0 ±85.0MHz	920.0 ±40.0MHz	0.55 max. (at 25°C)	0.50 max. (at 25°C)	20.0 min.	16.0 min.
LFD31859MDP1A009	1920.0 ±70.0MHz	859.0 ±35.0MHz	0.45 max. (at 25°C)	0.40 max. (at 25°C)	20.0 min.	20.0 min.
LFD31884MDP1A030	1906.5 ±13.0MHz	884.0 ±74.0MHz	0.45 max. (at 25°C)	0.50 max. (at 25°C)	19.0 min.	19.0 min.
LFD31897MDP1A010	1810.0 ±100.0MHz	897.5 ±17.5MHz	0.6 max. (at 25°C)	0.5 max. (at 25°C)	20.0 min.	17.0 min.
LFD31920MDP1A003	1795.0 ±85.0MHz	920.0 ±40.0MHz	0.55 max. (at 25°C)	0.50 max. (at 25°C)	20.0 min.	16.0 min.
LFD31920MDP1A040	1850.0 ±140.0MHz	920.0 ±40.0MHz	0.65 max. (at 25°C)	0.50 max. (at 25°C)	20.0 min.	15.0 min.
LFD31993MDP1A032	2072.34 ±30.0MHz	993.84 ±12.5MHz	0.4 max. (at 25°C)	0.4 max. (at 25°C)	20.0 min.	20.0 min.

△Note • This catalog has only typical specifications because there is no space for detailed specifications. Therefore, please approve our product specifications or transact the approval sheet for product specifications before ordering. Especially, please read rating and △CAUTION (for storage, operating, rating, soldering, mounting and handling) in them to prevent smoking and/or burning, etc.
 • You are able to read a detailed specifications in the website (<http://search.murata.co.jp/>) before to require our product specifications or to transact the approval sheet for product specifications.

X-ON Electronics

Largest Supplier of Electrical and Electronic Components

Click to view similar products for [Signal Conditioning](#) category:

Click to view products by [Murata](#) manufacturer:

Other Similar products are found below :

[MAPDCC0004](#) [PD0409J5050S2HF](#) [880157](#) [HHS-109-PIN](#) [DC1417J5005AHF](#) [DC4859J5005AHF](#) [AFS14A30-2185.00-T3](#) [DS-323-PIN](#)
[DSS-313-PIN](#) [B39321R801H210](#) [B39921B4317P810](#) [1A0220-3](#) [2089-6207-00](#) [JP510S](#) [LFB212G45SG8C341](#) [LFB322G45SN1A504](#)
[LFL182G45TC3B746](#) [SF2159E](#) [30057](#) [1P510S](#) [CER0813B](#) [3A325](#) [40287](#) [41180](#) [ATB3225-75032NCT](#) [B69842N5807A150](#)
[BD0810N50100AHF](#) [BD2425J50200AHF](#) [C5060J5003AHF](#) [JHS-114-PIN](#) [JHS-115-PIN](#) [JP503AS](#) [DC0710J5005AHF](#) [DC2327J5005AHF](#)
[DC3338J5005AHF](#) [43020](#) [LFB2H2G60BB1C106](#) [LFL15869MTC1B787](#) [X3C19F1-20S](#) [XC3500P-20S](#) [10013-20](#) [SF2081E](#) [SF2194E](#)
[SF2238E](#) [CDBLB455KCAX39-B0](#) [RF1353C](#) [PD0922J5050D2HF](#) [600S150FTRB](#) [1E1305-3](#) [1F1304-3S](#)