

HF MAGICSTRAP® Data Sheet

LXMS33HCNL-167

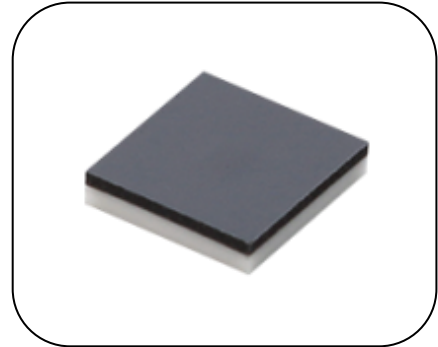


1, General Descriptions

This product is NFC Forum type2 / ISO14443 TypeA compliant tag which includes embedding antenna.

[Features]

- Ultra miniature package (3.2 x 3.2 x 0.75mmMax)
- RF antenna is embedded within substrate
- Robust package design
- NFC forum type2 compliant
- Using NXP NTAG212, 1024bits user memory
- Read range: 15mm (200mW output power)
- Can be attached to a wide range of objects
- Operating temperature -25°C ~ +70°C
- 100% green material for RoHS compliance



2, Block Diagram

Figure.1 shows block diagram of this product.

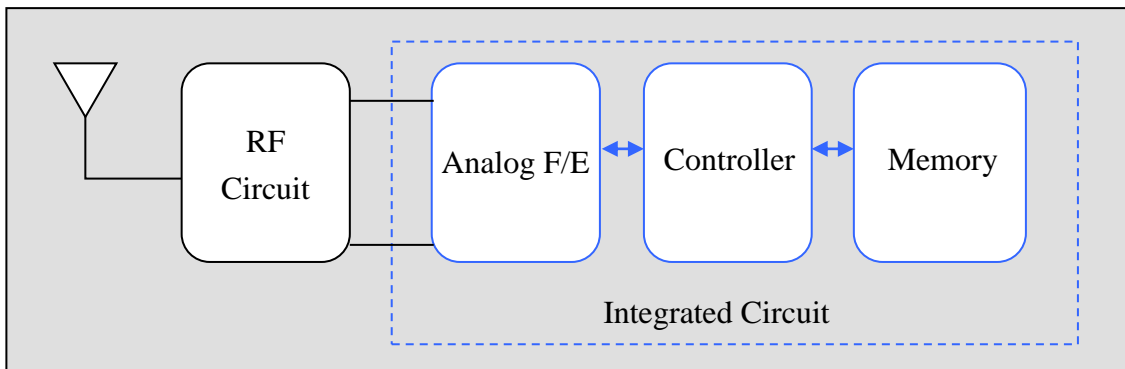
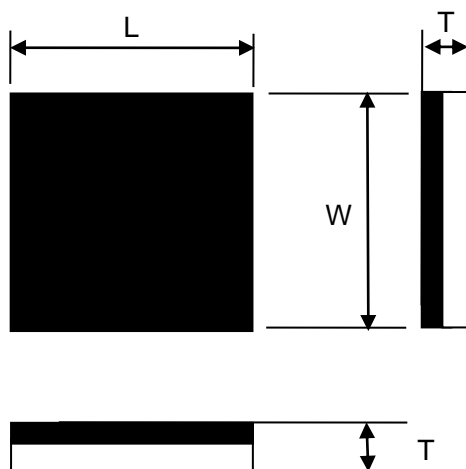


Fig1. Block diagram

3, Dimension



[mm]

Mark	Dimensions
L	3.2±0.2
W	3.2±0.2
T	0.75 max

Fig.2 Package Dimension

4, Electrical Performance

15mm of Read range(Reference only)

Reader/Writer : LXRFZZHAAA-026 (muRata manufactured)

Output Power of Reader/Writer : 200mW

5, Packing Information

This product is supplied by tape and reel package

5-1. Quantity per reel

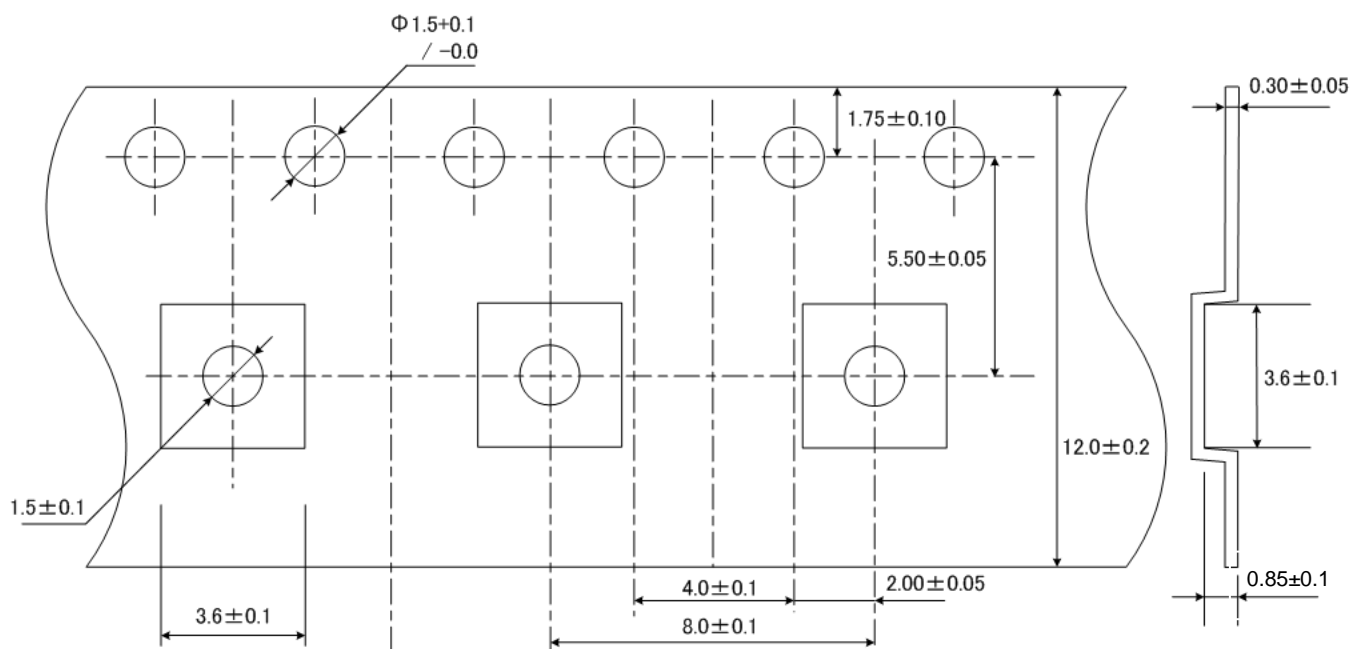
6,000pcs

5-2. Minimum order quantity

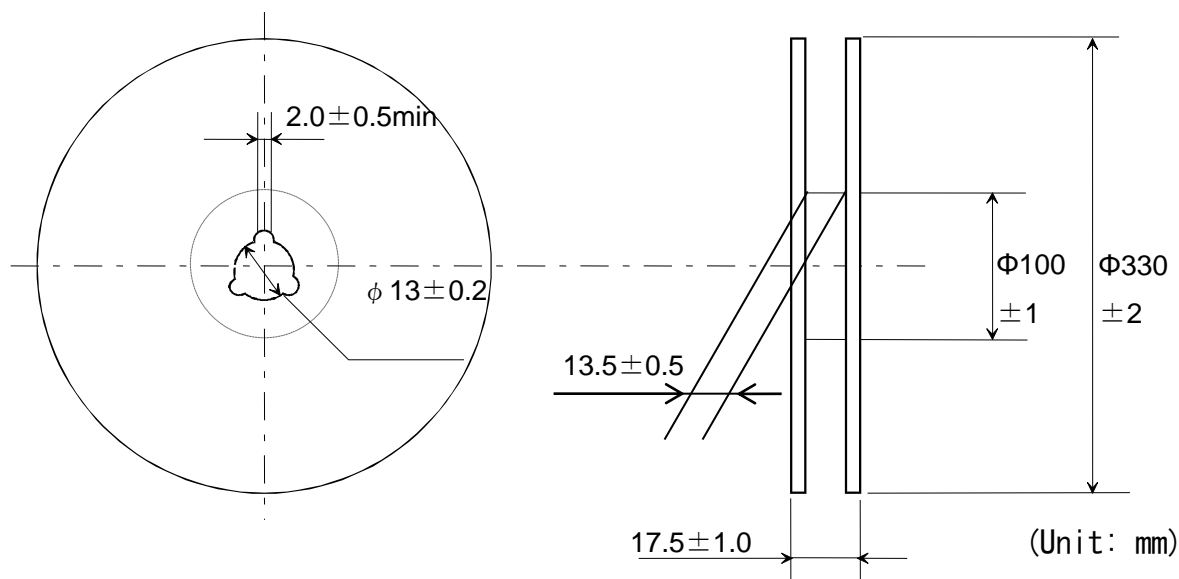
6,000pcs

5-3. Tape and Reel Packing

(1) Dimensions of Tape (Plastic tape)



(2) Dimensions of Reel



6. Contact window

URL : <http://www.murata.com/products/rfid/index.html>

" MAGICSTRAP® " is the registered trademark of Murata Manufacturing. Co., Ltd. in Japan.

For any inquiries/queries, please feel free to contact us.

X-ON Electronics

Largest Supplier of Electrical and Electronic Components

Click to view similar products for [NFC/RFID Tags & Transponders](#) category:

Click to view products by [Murata](#) manufacturer:

Other Similar products are found below :

[PCF7941ATSM2AB120](#), [PNEV512B,699](#) [V680-D1KP54T](#) [V680S-A40 50M](#) [PN7120A0EV/C10801Y](#) [TRPGR30ATGA](#) [SPS1M003B](#)
[SPS1M003A](#) [SPS1M002B](#) [SPS1M002A](#) [V680S-A40 10M](#) [V680-D1KP66T](#) [ATA5577M2330C-DBQ](#) [SL2S5302FTBX](#) [LXMSJZNCMD-217](#)
[60208](#) [60170](#) [P5DF081X0/T1AD2060](#) [MF1S5030XDA8/V1J](#) [MF1S7030XDA4/V1J](#) [HT1MOA4S30/E/3J](#) [HT2MOA4S20/E/3/RJ](#)
[MFRC52302HN1,157](#) [TRPGR30ATGB](#) [NRF51822-QFAA-R](#) [20926410601](#) [CLRC66303HNE](#) [ART915X1620TX16-IC](#)
[ART915X2117225TX21-IC](#) [28448](#) [ART923X1015YZ10-IC](#) [ART868X130903TX13](#) [ART868X25275YZ25](#) [ART915X050503OP-IC](#)
[ART915X100202TO-IC](#) [ART915X100503JA-IC](#) [ART915X130930TX13-IC](#) [ART915X250903AM-IC](#) [ART915X2509EP60-IC](#)
[ART915X252503MA-IC](#) [ART915X25275YZ25](#) [ART915X25275YZ25-IC](#) [ART923X1015YZ10](#) [AS3932-BTST](#) [AS3933-BTST](#)
[20926410802](#) [LXMSJZNCMF-198](#) [MIKROE-779](#) [13356-0571](#) [13356-1151](#)