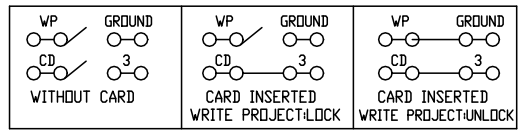
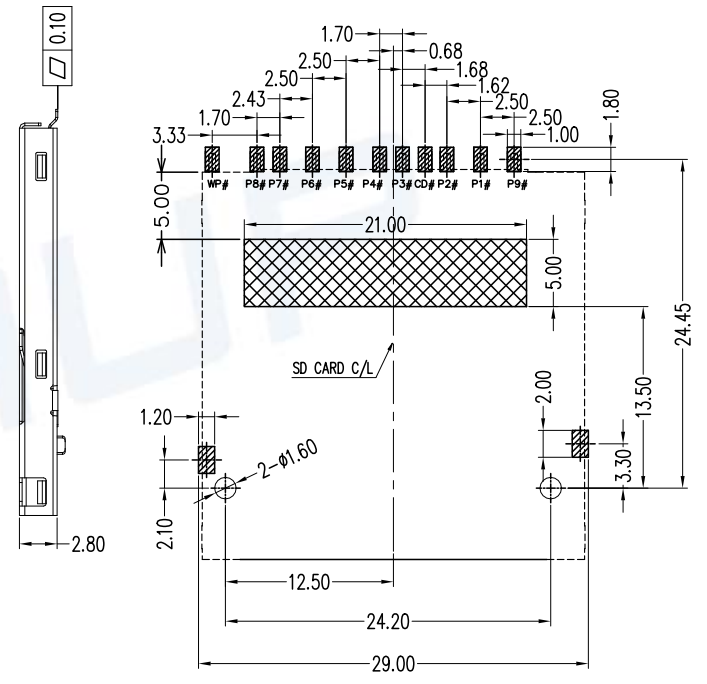
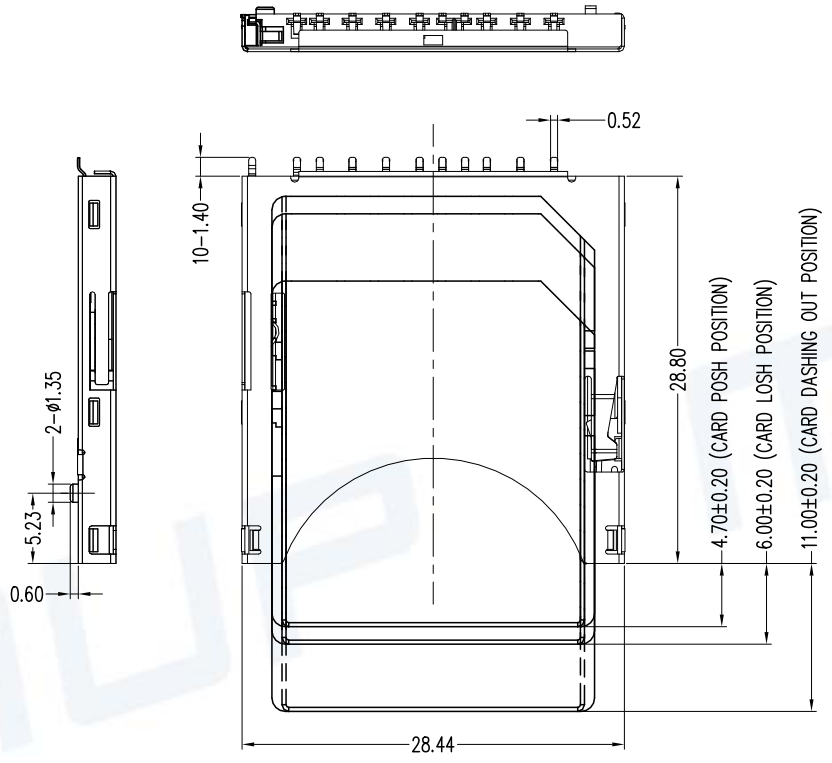


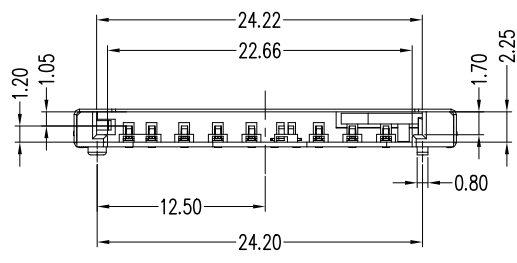
REV.	DESCRIPTION OF REVISIONS	APPR.	CHKD.	DRAW.	DATE
△	NEW			Zoey	2008/12/20
△	Original Model M015-3A			HUABO	2023/12/14



SD CARD PIN DESIGN			
Pin#	Name	Type	Card Detect/Date Line[Bit3]
1	CD/DAT3	I/D/PP	Command/Response
2	CMD	PP	Supply voltage
3	Vss1	S	Supply voltage ground
4	VDD	S	Supply voltage
5	CLK	I	Clock
6	Vss2	S	Supply voltage ground
7	DAT0	I/D/PP	Date Line [Bit0]
8	DAT1	I/D/PP	Date Line [Bit1]
9	DAT2	I/D/PP	Date Line [Bit2]



PCB LAYOUT TOP VIEW
(TOLERANCE: ±0.05)



NOTES:
 1. MATERIAL:
 1.1 BASE: LCP UL 94V-0, BLACK COLOR
 1.2 CONTACT: COPPER ALLOY.
 1.3 SHELL: STEEL.
 1.4 SPRING: SWP.
 2. FINISH:
 CONTACTS: GOLD PLATED ON CONTACT AREA, MATTE-TIN ON SOLDER TAIL, NICKEL UNDERPLATED OVERALL.
 SHELL: NICKEL PLATED.
 3. SPECIFICATION
 *ELECTRICAL CHARACTERISTICS:
 CONTACT CURRENT RATING: 0.5 AMPERES.
 DIELECTRIC WITHSTANDING VOLTAGE: AC500V R.M.S.
 INSULATION RESISTANCE: 1000 MΩ MINIMUM.
 CONTACT RESISTANCE: 100 mΩ MAXIMUM.
 *ENVIRONMENTAL:
 OPERATING TEMPERATURE: -25°C~+85°C.
 *ENVIRONMENTAL:
 MATING CYCLES: 5,000 INSERTIONS.

Unless otherwise specified, other tolerance are:		MUP [®] MUP INDUSTRIAL CO.,LTD.	
X ±0.40	X* ±5*	NAME: SD CARD CONNECTOR	
X.X ±0.30	X.X* ±4*	MODEL NO: MUP-M6005-03	
X.XX ±0.20	X.XX* ±3*	TYPE: H2.8 WITH POST	
X.XXX ±0.10	X.XXX* ±2*	DRAWN Zoey Dec.18.2008 DWG NO.: DWG-M6005-03-01	
PROJ.	UNIT mm	SCALE 1:1	CHECKED Jimmy Dec.20.2008 SHEET 1/1
CUSTOMER DRAWING			APPROVAL Jimmy Dec.20.2008 REVISION 2



X-ON Electronics

Largest Supplier of Electrical and Electronic Components

Click to view similar products for [Memory Card Connectors](#) category:

Click to view products by [Murata](#) manufacturer:

Other Similar products are found below :

[6407-249V-25273P](#) [6407-249V-25343P](#) [6426-201-21343](#) [69.920.0553.0](#) [MCR60A-98D-2.54DSA\(70\)](#) [809180410000000](#) [DM3AT-SF-PEJM5\(41\)](#) [IC11S-BUR-PNEJL\(71\)](#) [C70210M0083692](#) [2041353-2](#) [308-DS1P0811-192](#) [HM2P09PDR360N9LF](#) [10014744-011TLF](#) [11327-001](#) [11327-002](#) [NX1-32T-KT3K\(05\)](#) [95622-003LF](#) [84648-056HLF](#) [CCM03-3109 B LFT](#) [MS3116J10-6PW](#) [2309923-1](#) [61126-050CAHLF](#) [GTFP08432B1HR](#) [G85D1160022HHR](#) [SCE2MSDB76A121SN](#) [SCE2MSDZN76A121SN](#) [10014744-011ALF](#) [10014744-011LF](#) [10057542-1211FLF](#) [10067972-000LF](#) [10067972-050LF](#) [10122302-20110LF](#) [G85D1162022HHR](#) [TF-05A](#) [SMN-304-ARP6](#) [MIS11-S1F1-2000-A](#) [SMN-308-ARSP7](#) [MCS-302S-KT1B](#) [SMN-308-ACSP7](#) [K-DYX-008](#) [K-DYX-004](#) [HYCW126-TF18-150B](#) [C7024-03](#) [SMO-1030](#) [MCS-110-KT](#) [SIM-217](#) [SNO-1355-KT](#) [SMO-1025-P10](#) [SIM-211S-P6](#) [SNO-1440](#)