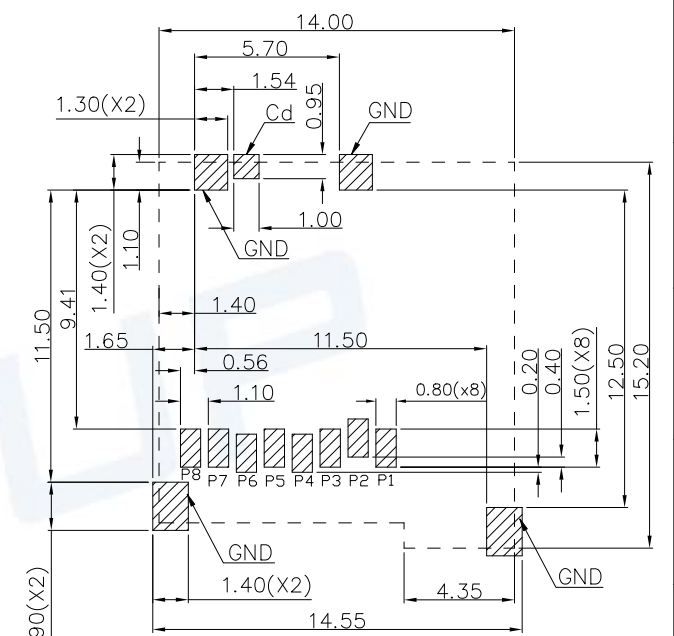
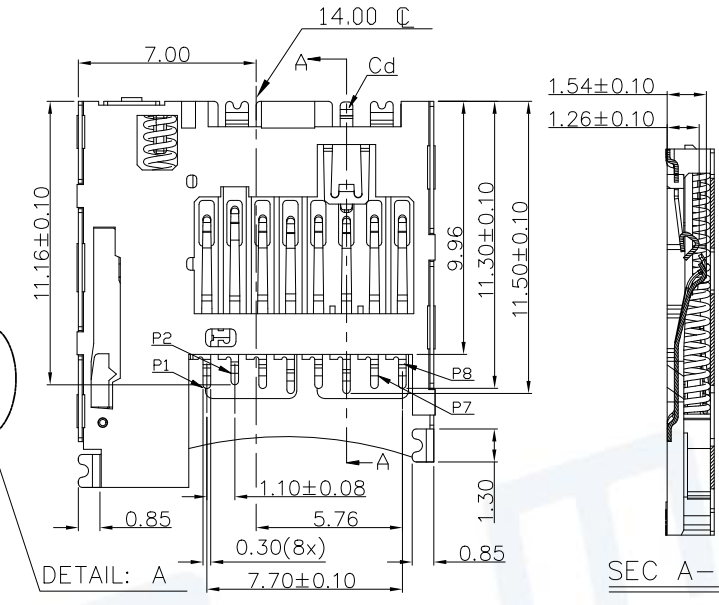
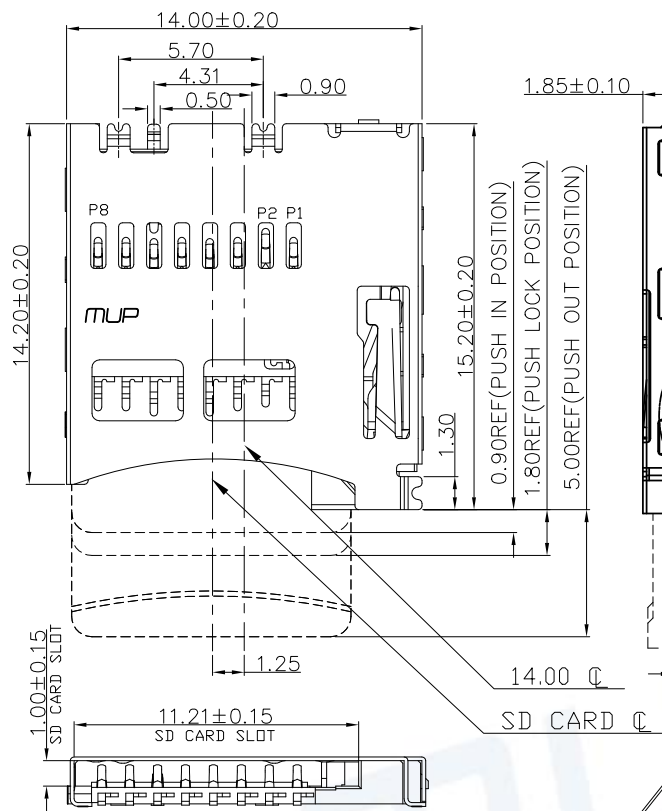
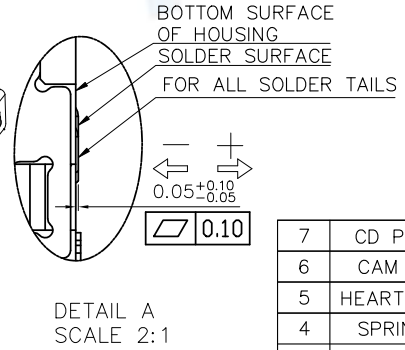
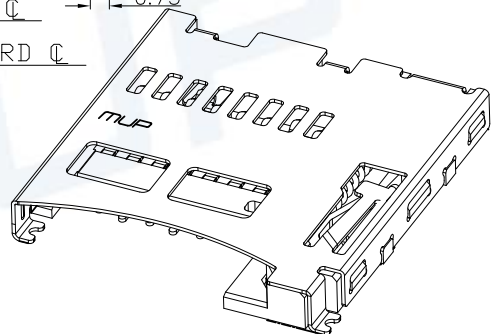
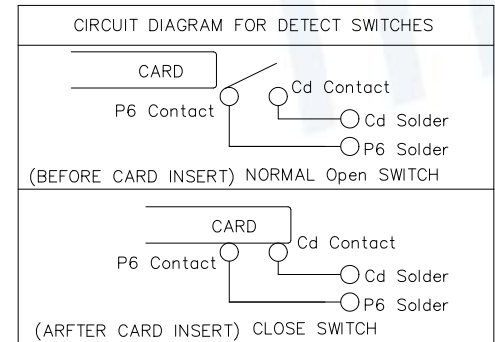


REV.	DESCRIPTION OF REVISIONS	APPR.	CHKD.	DRAW.	DATE
△	NEW			Henry	2018/05/18
△	Original Model M615-1			Henry	2023/10/24



RECOMMENDED P.C.B LAYOUT
COMPONENT SIDE(TOLERANCE ±0.05)

PAD AREA
 CONNECTOR OUTLINE
 NO PATTERN AND VIA HOLE IN THIS AREA



TECHNICAL CHARACTERISTICS

- General Characteristics
Dimensions: 15.20LX14.0WX1.90H mm
Weight: Approx 0.5g
Durability: 5,000 cycles min.
- Electrical Characteristics
Contact resistance: 50mΩ typical, 100mΩ max
Insulation resistance: >1000MΩ/500V DC
- Solderability
Vapor phase: 215°C, 30sec. Max
IR reflow: 260°C, 10sec. Max
Manual soldering: 370°C, 3sec. Max
- Environmental Characteristics
Operating temperature: -40°C~+85°C
Operating humidity: 10%~+95%RH

Pin No.	Pin assignment	Pin No.	Pin assignment
1	DAT2	5	CLK
2	CD/DAT3	6	VSS
3	CMD	7	DAT0
4	VDD	8	DAT1
Cd	CARD DETECTION	GND	GROUND

No.	DESCRIPTION	Q'TY	MATERIAL	FINISH
7	CD PIN	1	Copper Alloy	Contact area:Gold plated
6	CAM PIN	1	Stainless Steel	NO plating
5	HEART CAM	1	Hi-temp Thermoplastic	Black UL94V-0
4	SPRING	1	SWP.	Ni plating
3	SHELL	1	Stainless Steel	SMT area:Gold plated
2	TERMINAL	8	Copper Alloy	Contact area:Gold plated
1	HOUSING	1	Hi-temp Thermoplastic	Black UL94V-0

Unless otherwise specified, other tolerance are:

X ±0.35	X' ±5*
X.X ±0.25	X.X' ±4*
X.XX ±0.15	X.XX' ±3*
X.XXX ±0.10	X.XXX' ±2*

PROJ. UNIT mm SCALE 1:1

CUSTOMER DRAWING

MUP MUP INDUSTRIAL CO.,LTD.

NAME: **MicroSD CARD CONNECTOR**

MODEL NO: **MUP-M6015-01**

TYPE: **With CD PIN**

DRAWN	Henry May.18.2018	DWG NO.:	
CHECKED	Henry May.18.2018		DWG-M6015-01-01
APPROVAL	Simon May.18.2018	SHEET	1/1
		REVISION	2



X-ON Electronics

Largest Supplier of Electrical and Electronic Components

Click to view similar products for [Memory Card Connectors](#) category:

Click to view products by [Murata](#) manufacturer:

Other Similar products are found below :

[6407-249V-25273P](#) [6407-249V-25343P](#) [6426-201-21343](#) [69.920.0553.0](#) [MCR60A-98D-2.54DSA\(70\)](#) [809180410000000](#) [DM3AT-SF-PEJM5\(41\)](#) [IC11S-BUR-PNEJL\(71\)](#) [C70210M0083692](#) [2041353-2](#) [308-DS1P0811-192](#) [HM2P09PDR360N9LF](#) [10014744-011TLF](#) [11327-001](#) [11327-002](#) [NX1-32T-KT3K\(05\)](#) [95622-003LF](#) [84648-056HLF](#) [CCM03-3109 B LFT](#) [MS3116J10-6PW](#) [2309923-1](#) [61126-050CAHLF](#) [GTFP08432B1HR](#) [G85D1160022HHR](#) [SCE2MSDB76A121SN](#) [SCE2MSDZN76A121SN](#) [10014744-011ALF](#) [10014744-011LF](#) [10057542-1211FLF](#) [10067972-000LF](#) [10067972-050LF](#) [10122302-20110LF](#) [G85D1162022HHR](#) [TF-05A](#) [M6014-12](#) [XKNANO-1412](#) [SMN-304-ARP6](#) [MIS11-S1F1-2000-A](#) [SMN-308-ARSP7](#) [MCS-302S-KT1B](#) [SMN-308-ACSP7](#) [K-DYX-008](#) [K-DYX-004](#) [C7024-03](#) [SMO-1030](#) [MCS-110-KT](#) [SIM-217](#) [SNO-1355-KT](#) [SMO-1025-P10](#) [SIM-211S-P6](#)