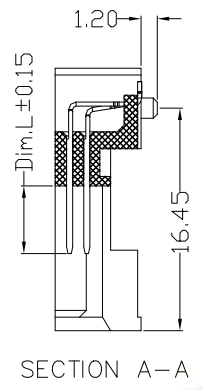
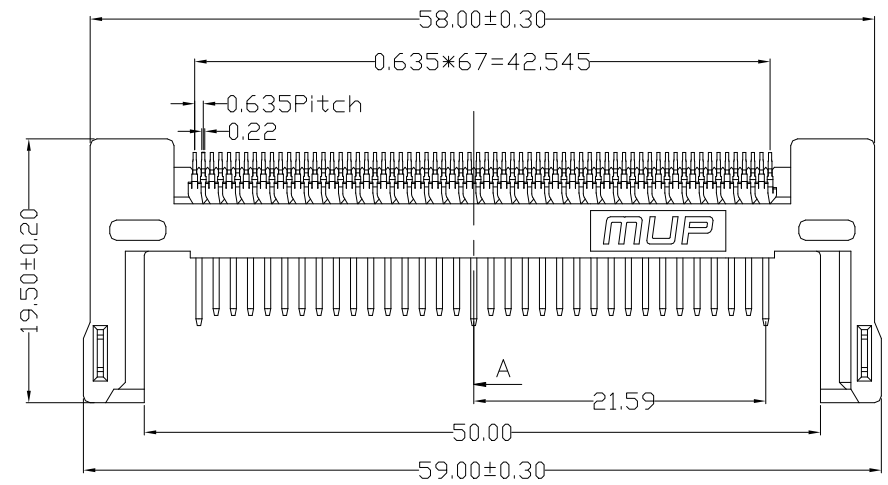


REV.	DESCRIPTION OF REVISIONS	APPR.	CHEC.	DRAW.	DATE
△	NEW			Zoey	2018/06/21
△	Original Model M6701-1			Jicks	2023/10/19



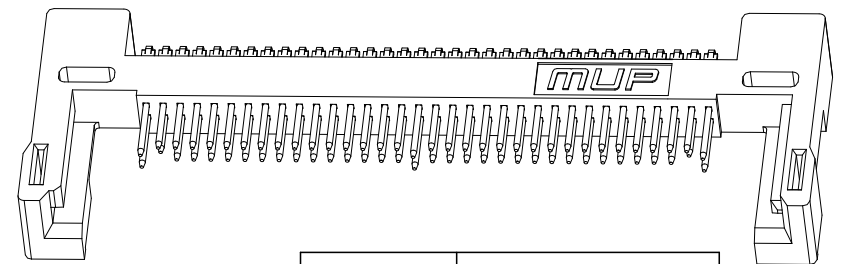
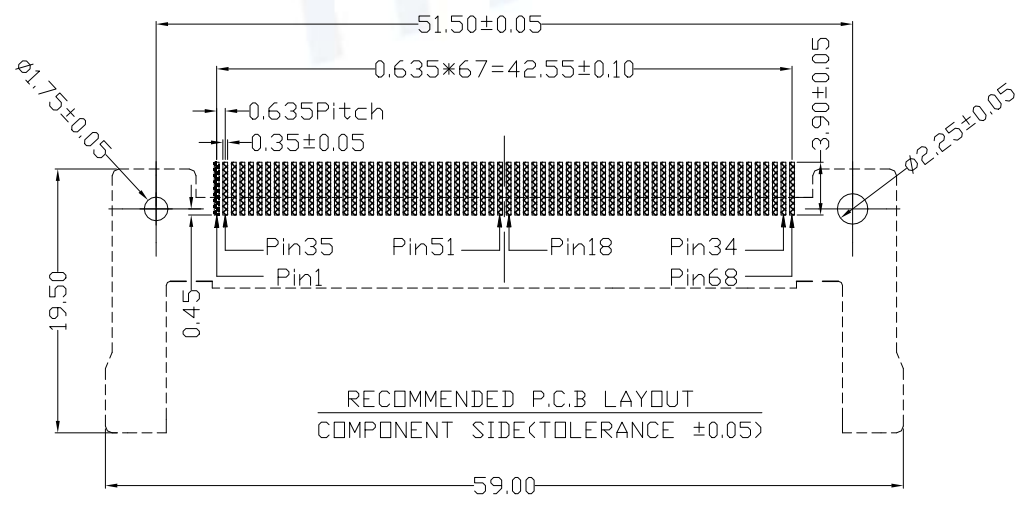
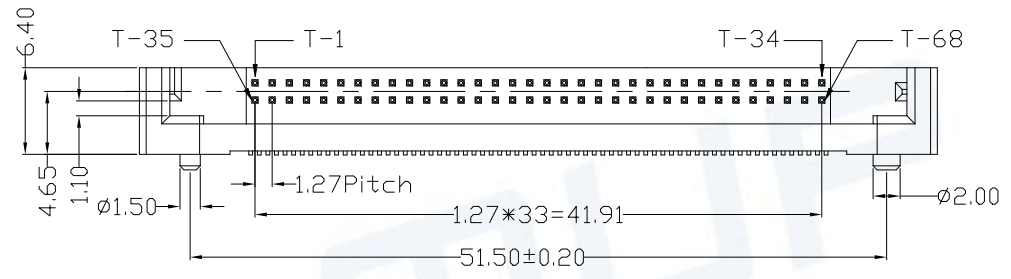
TECHNICAL CHARACTERISTICS

1.General Characteristics
Dimensions: 59.0LX19.50WX6.40H mm
Weight: Approx: 4±0.5g

2.Electrical Characteristics
Current Rating: 0.5A AC DC
Rated voltage: 5 V
Contact resistance: 200mΩ max
Insulation resistance: 1000MΩ min
Withstanding voltage: 500 V AC rms 1min.

3.Environmental Characteristics
Operating temperature: -20°C~+60°C

Pin Type	Dim.L	Pin No
Detect	3.50mm	36.67
General	4.25mm	All other pins
Power	5.00mm	1.17.34.35.51.68

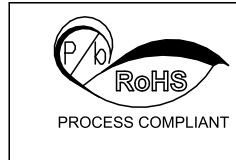


Products P/N M6701-68641110-0011

ITEM	PART NAME	Q'TY	MATERIAL	FINISH
1	BASE	1	Hi-temp Thermoplastic	Black UL94V-0
2	DATA CONTACT	68	Copper Alloy	Contact area: Nickel plated

Unless otherwise specified, other tolerance are:
MUP MUP INDUSTRIAL CO.,LTD.

X ±0.35	X* ±5*	NAME: PCMCIA Connector	
X.X ±0.25	X.X* ±4*	MODEL NO: MUP-M6701-01	
X.XX ±0.15	X.XX* ±3*	TYPE :	
X.XXX ±0.10	X.XXX* ±2*		
PROJ.	UNIT mm	SCALE 1:1	DRAWN Zoey 2018/06/21
CUSTOMER DRAWING			DWG NO.: DWG-M6701-01-01
			CHECKED Keey 2018/06/21
			APPROVAL Simon 2018/06/21
			SHEET 1/1
			REVISION 2



X-ON Electronics

Largest Supplier of Electrical and Electronic Components

Click to view similar products for [Standard Card Edge Connectors](#) category:

Click to view products by [Murata](#) manufacturer:

Other Similar products are found below :

[CR7E-30DB-3.96E\(72\)](#) [6565204-6](#) [1437274-4](#) [1-582587-1](#) [284-0102-12100](#) [286-0052-12101A](#) [306022901000000](#) [A6D22DS29C2](#) [1926088-2](#) [245-062-520-350](#) [287-0032-12101](#) [306-028-525-102](#) [307-072-526-202](#) [330-030-500-278](#) [345-060-559-303](#) [534671-1](#) [341-240-317](#) [345-044-500-300](#) [346-240-318](#) [C7D10DS29C1M133](#) [395-100-524-300](#) [09-07-2032](#) [10035388-802LF](#) [10115859-011LF](#) [10122859-009LF](#) [101269333204245CLF](#) [530555-1](#) [66925-516LF](#) [5145409-2](#) [73726-0005](#) [66308-1](#) [EBC05DRXN](#) [KSLX-62-BR](#) [CE100F26-7-C](#) [CE100F28-3-D](#) [CE100F28-4-D](#) [CE156F22-9-C](#) [CT100F24-3-D](#) [CT100F24-6-C](#) [MLSS100-12-C](#) [SCC100F-11-C](#) [SCC100F-20-C](#) [SCC100F-24-C](#) [SCC100F-25-C](#) [3-530656](#) [2512250177](#) [285-0112-12300](#) [346-068-556-300](#) [284-0492-11000](#) [287-0032-12301](#)