

Preliminary Specification of COAXIAL CONNECTOR
 Preliminary SPEC No. : NMM04-PU0045B
 Part Number : MM126524

Written by H.Matsukawa
 Checked by M.Atokawa
 Date 02/Jun./2014

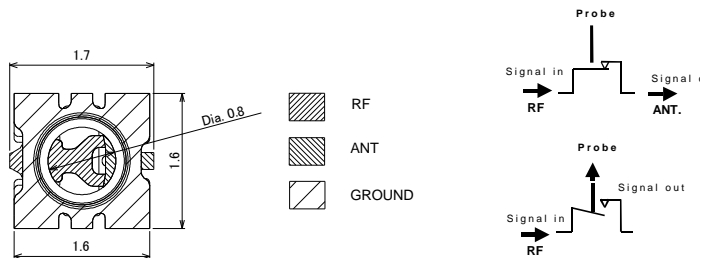
Revised A: 23/Jun./14 MA B: 14/Jan./14 MA

SPECIFICATION

1. MECHANICAL

Manual measurement probe for SWH-2WAY(MM8930-2620) to measure RF side performance.

B>



A>

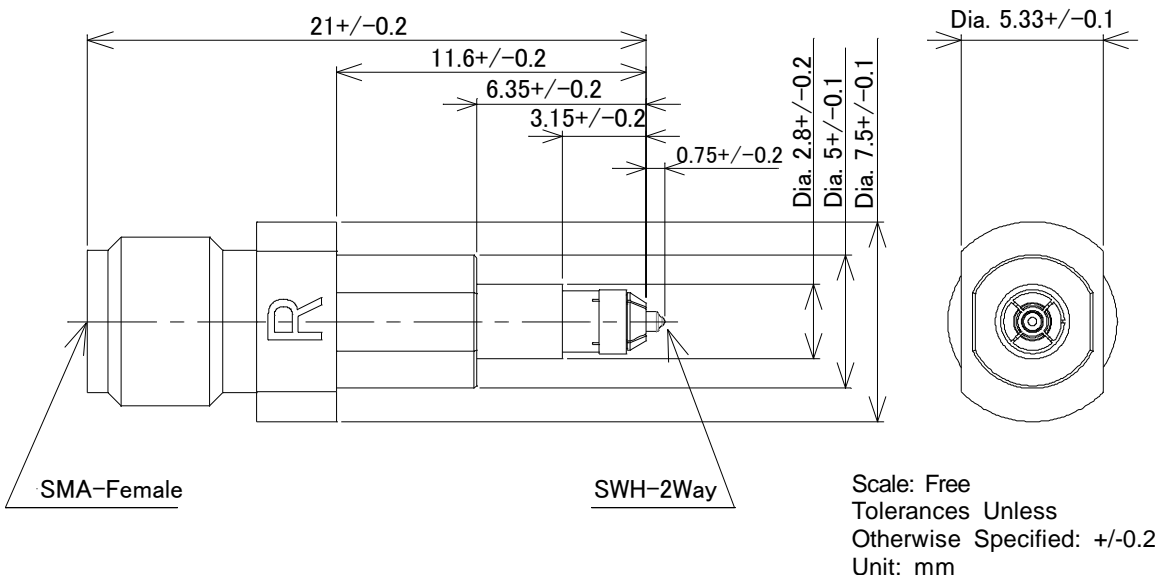


Figure.1 Construction

2. RATING:

Item	Specification
Voltage Rating	30V r.m.s. maximum
Nominal Frequency Range	DC to 6GHz
Nominal Impedance	50Ω
Temperature Rating	-40°C to +85°C
Insulation Resistance	500 MΩ minimum
Withstanding Voltage	No evidence of breakdown
Initial Contact Resistance (without conductor resistance)	70 m Ω max.
B> Voltage Standing Wave Ratio (V.S.W.R.)	Meet the requirements of following spec. 1.6 max.(DC ~ 3GHz) 1.9 max.(3GHz ~ 6GHz)
B> Insertion loss	0.5dB max. (DC ~ 3GHz) 0.8dB max. (3GHz ~ 6GHz)
B> Durability	2K cycles
B> Engage and disengage force. (PROBE side only)	a. Engagement 30N maximum b. Disengagement 5N minimum 23N maximum

X-ON Electronics

Largest Supplier of Electrical and Electronic Components

Click to view similar products for [Test Connectors](#) category:

Click to view products by [Murata](#) manufacturer:

Other Similar products are found below :

[5739](#) [MXHS83QE1000](#) [1691](#) [M08SW](#) [M10X100](#) [4247](#) [MM126037](#) [4726](#) [5747](#) [MM126511](#) [MM126527](#) [2375380-1](#) [100045-045-958](#) [3743](#)
[MXHS83QE3000](#) [M19100](#) [4320-01069-0](#) [3302](#) [783538-01](#) [3602](#) [3719](#) [4226](#) [4245](#) [4246](#) [4903](#) [MXFR01JA1000](#) [911](#) [BF-5](#) [M19201](#)
[MM126317](#) [MM126515](#) [MM126518](#) [MM126526](#) [MM126711](#) [MM126715](#) [MXHS83QH3000](#) [BF-1](#) [BF-3](#) [BS-1](#) [A9663](#) [3316](#) [3603](#) [3862-0](#)
[3862-0#](#) [4115](#) [4655](#) [5130](#) [5532](#) [5678-K-48](#) [6232A](#)