

Microwave Coaxial Connectors

Microwave Coaxial Cable Connectors/Board to Board Connectors

Murata microwave coaxial connectors are small, thin, and suitable for low-profile design. The connectors have high RF performance.

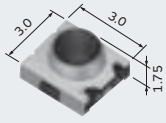


| Type | Receptacle Part Number | Pulg Receptacle Part Number (Mating Height (mm)) | Cable Number (Mating Height (mm)) | Cable Dia. (mm) | Frequency Rating (GHz) | Voltage Standing Wave Ratio |
|------|------------------------|--|-----------------------------------|-----------------|------------------------|-----------------------------|
| HSC | MM4829-2702 | MM4831-2701 (0.9 max.) | MXHJD3_ (1.4 max.) | 1.13 | to 6 | 1.3 max. (DC to 3GHz) |
| JSC | MM5829-2700 | MM5831-2700 (0.8 max.) | MXJA01_ (1.0 max.) | 0.81 | to 6 | 1.3 max. (DC to 3GHz) |
| | | | MXJGB3_ (1.0 max.) | 0.49 | | |
| | | | MXJF56_ (1.0 max.) | 0.53 | | |
| KSC | MM6829-2700 | MM6831-2700 (0.6 max.) | MXKGB3_ (0.8 max.) | 0.49 | to 6 | 1.3 max. (DC to 3GHz) |
| | | | MXKF56_ (0.8 max.) | 0.53 | | |
| LSC | MM7829-2700 | MM7831-2700 (0.6 max.) | MXLAB3_ (0.8 max.) | 0.49 | to 6 | 1.3 max. (DC to 3GHz) |
| | | | MXLF56_ (0.8 max.) | 0.53 | | |
| PSC | MM2829-2700 | MM2831-2700 (0.88 max.) | MXPEN3_ (1.0 max.) | 0.64 | to 6 | 1.3 max. (DC to 3GHz) |

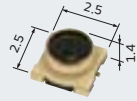
Nominal Impedance: 50Ω
 Rated Voltage: 30Vrms
 Temperature Range: -40 to 85°C
 Mating Height is mated with receptacle.

Microwave Coaxial Connectors with Switch

The coaxial connector with switch is very useful for characteristic measurement in cellular phones and microwave circuits.



MM8430-2610



MM8130-2600



MM8030-2610



MM8930-2600



MM8830-2600

(in mm)

| Type | Receptacle Part Number | Frequency Rating (GHz) | Voltage Standing Wave Ratio | Standard Measurement Probe Part Number |
|------|------------------------|------------------------|-----------------------------|--|
| SWD | MM8430-2610 | to 6 | 1.2 max. (DC to 3GHz) | MM126320 MXHS83QE3000 |
| SWF | MM8130-2600 | to 6 | 1.2 max. (DC to 3GHz) | MM126320 MXHQ87WJ3000 |
| SWG | MM8030-2610 | to 11 | 1.2 max. (DC to 3GHz) | MM126515 MXHQ87PA3000 |
| SWH | MM8930-2600 | to 6 | 1.2 max. (DC to 3GHz) | MM126715 MXHQ87PK3000 |
| SWJ | MM8830-2600 | to 6 | 1.2 max. (DC to 3GHz) | |

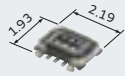
Nominal Impedance: 50Ω
 Rated Voltage: 30Vrms
 Temperature Range: -40 to 85°C

Multi Line Connectors

Multi line connectors transmit signals from board to board. The connectors can transmit not only digital signals but also RF signals.



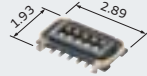
MM3929-2700A03



MM3931-2700A03



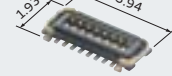
MM3929-2700A05



MM3931-2700A05



MM3929-2700A08



MM3931-2700A08

(in mm)

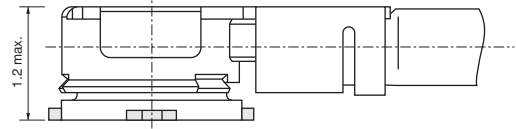
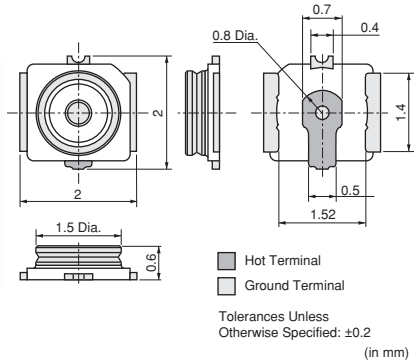
| Line Number | Receptacle Part Number | Plug Receptacle Part Number (Mating Height (mm)) | Pitch (mm) | Frequency Rating (GHz) | Voltage Standing Wave Ratio |
|-------------|------------------------|--|------------|------------------------|-----------------------------|
| 3 | MM3929-2700A03 | MM3931-2700A03 (0.64 max.) | 0.35 | to 6 | 1.3 max. (DC to 3GHz) |
| 5 | MM3929-2700A05 | MM3931-2700A05 (0.64 max.) | 0.35 | to 6 | 1.3 max. (DC to 3GHz) |
| 8 | MM3929-2700A08 | MM3931-2700A08 (0.64 max.) | 0.35 | to 6 | 1.3 max. (DC to 3GHz) |

Nominal Impedance: 50Ω
 Rated Voltage: 30Vrms
 Temperature Range: -40 to 85°C

Microwave Coaxial Connectors

Microwave Coaxial Cable Connectors

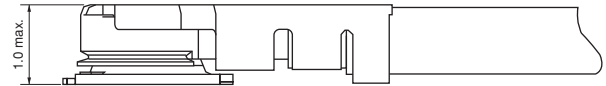
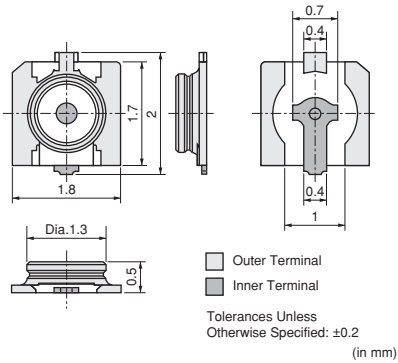
MM4829-2702



(in mm)

Dimensions

MM5829-2700



(in mm)

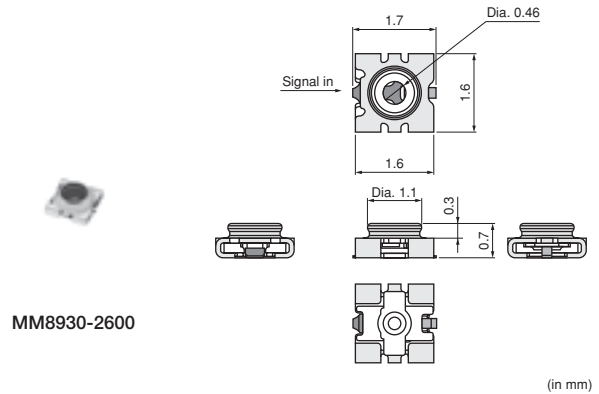
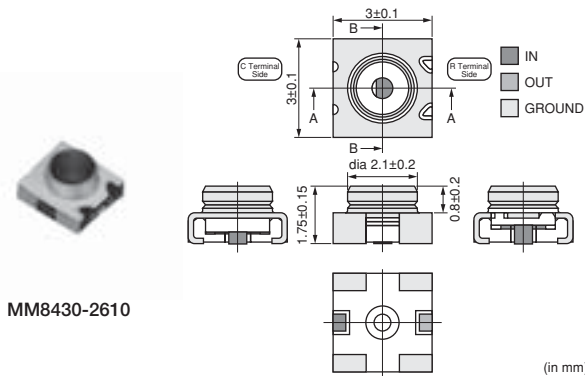
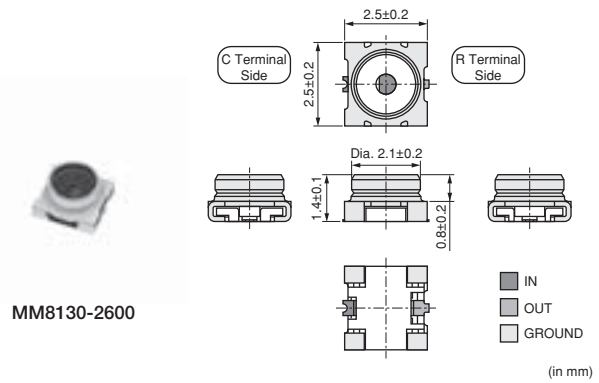
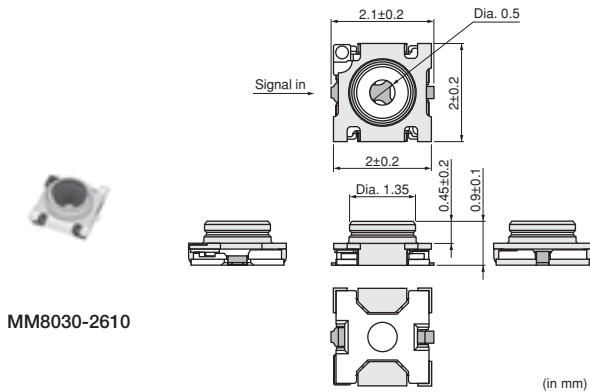
Dimensions

| Part Number | Rated Voltage (Vrms) | Frequency Rating (GHz) | Temperature Range | VSWR |
|-------------|----------------------|------------------------|-------------------|-----------------------|
| MM4829-2702 | 30 | to 6.0 | -40 to +85°C | 1.3 max. (DC to 3GHz) |
| MM5829-2700 | 30 | to 12 | -40 to +85°C | 1.3 max. (DC to 3GHz) |
| MXHP32_____ | 30 | to 6.0 | -40 to +85°C | 1.3 max. (DC to 3GHz) |
| MXJA01_____ | 30 | to 12 | -40 to +85°C | 1.3 max. (DC to 3GHz) |

Impedance: 50ohm

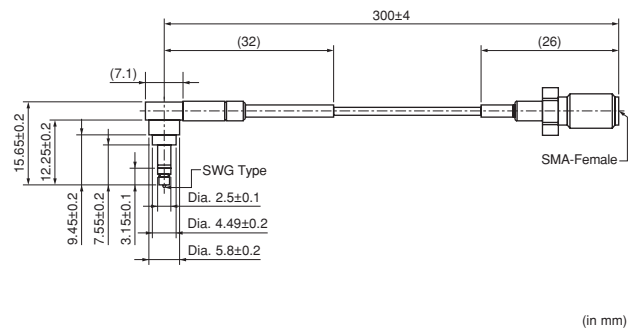
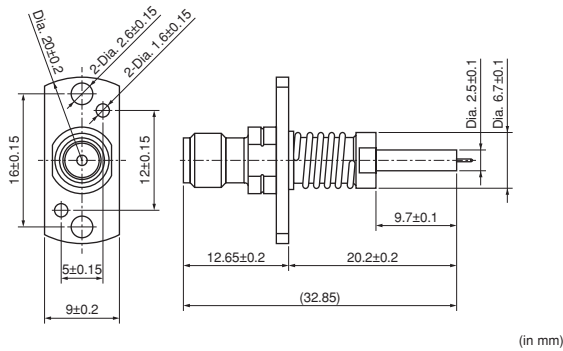
Microwave Coaxial Connectors

Microwave Coaxial Connectors with Switch



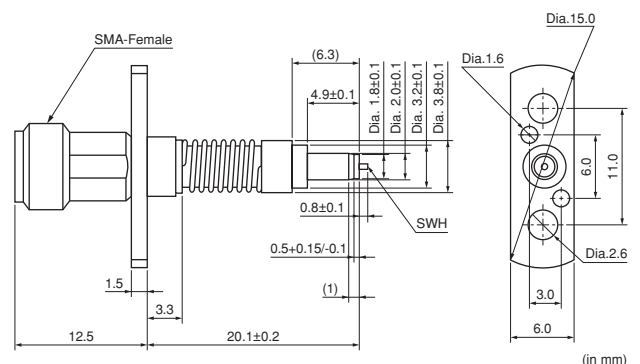
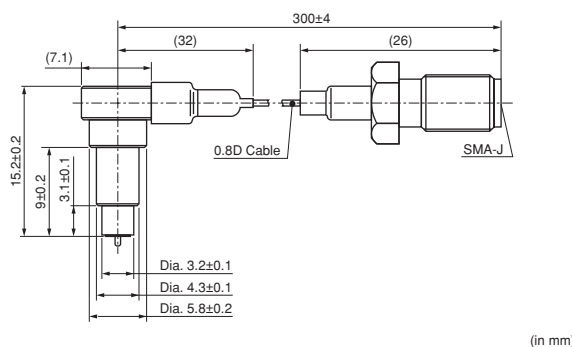
Measurement Probe for MM8030-2610/MM8130-2600/MM8430-2610 (P/N: MM126320)

Measurement Probe for MM8030-2610 (P/N: MXHQ87WJ3000)



Measurement Probe for MM8130-2600/MM8430-2610 (P/N: MXHS83QE3000)

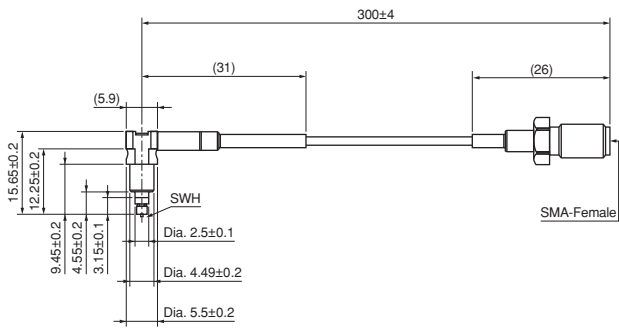
Measurement Probe for MM8930-2600 (P/N: MM126515)



⚠Note • Please read rating and ⚠CAUTION (for storage, operating, rating, soldering, mounting and handling) in this catalog to prevent smoking and/or burning, etc.
 • This catalog has only typical specifications. Therefore, please approve our product specifications or transact the approval sheet for product specifications before ordering.

☐ Continued from the preceding page.

Measurement Probe for MM8930-2600
(P/N: MXHQ87PA3000)



(in mm)

| Part Number | Rated Voltage (Vrms) | Frequency Rating (GHz) | Temperature Range | VSWR |
|-------------|----------------------|------------------------|-------------------|-----------------------|
| MM8030-2610 | 30 | to 11 | -40 to +85°C | 1.2 max. (DC to 3GHz) |
| MM8130-2600 | 30 | to 6 | -40 to +85°C | 1.2 max. (DC to 3GHz) |
| MM8430-2610 | 30 | to 6 | -40 to +85°C | 1.2 max. (DC to 3GHz) |
| MM8930-2600 | 30 | to 6 | -40 to +85°C | 1.2 max. (DC to 3GHz) |

Impedance: 50ohm

X-ON Electronics

Largest Supplier of Electrical and Electronic Components

Click to view similar products for [RF Connectors / Coaxial Connectors](#) category:

Click to view products by [Murata](#) manufacturer:

Other Similar products are found below :

[8915-1511-000](#) [89674-0827](#) [6001-7071-019](#) [6002-7051-003](#) [6002-7551-202](#) [6059674-1](#) [619550-1](#) [630059-000](#) [M39030/3-01N](#) [6500-7071-046](#) [6769](#) [CX050L2AQ](#) [7002-1542-011](#) [7004-1512-000](#) [7009-1511-004](#) [7010-1511-000](#) [7029-1511-060](#) [7101-1541-010](#) [7101-1571-002](#) [7105-1521-002](#) [7145-1521-002](#) [7203-1571-003](#) [7209-1511-011](#) [7210-1511-015](#) [7210-1511-019](#) [73137-5015](#) [73216-2241](#) [73404-2300](#) [7405-1521-005](#) [7405-1521-802](#) [8527](#) [8547](#) [FS11V](#) [8808-1511-001](#) [9049-9513-000](#) [9074-9513-000](#) [9101-9573-002](#) [910A205F](#) [9130-9573-002](#) [PL11SC-026](#) [PL375-33](#) [PL40-5](#) [PL74C-221](#) [PL75MC-217](#) [PL803-7](#) [1200690078](#) [1-201144-1](#) [R107003010W](#) [R110A172100](#) [R112186000](#)