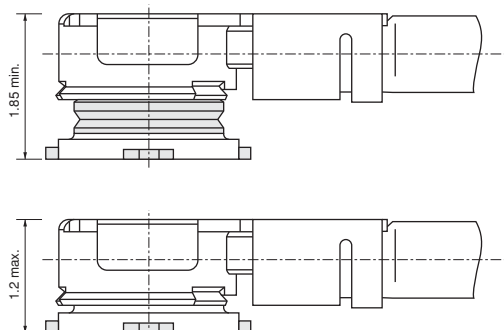
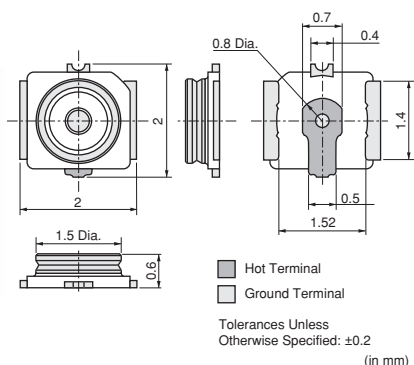


# Microwave Coaxial Connectors



## Coaxial Cable Connectors

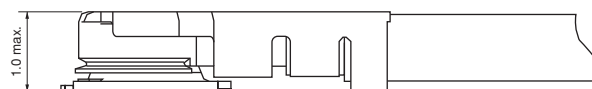
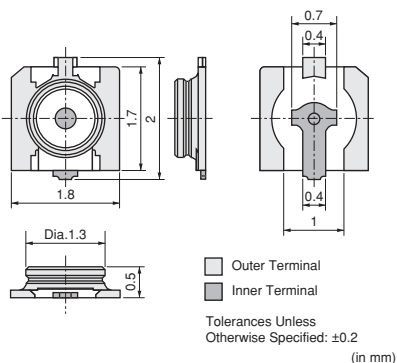
MM4829-2702



(in mm)

Dimensions

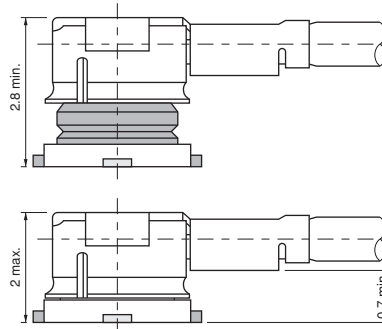
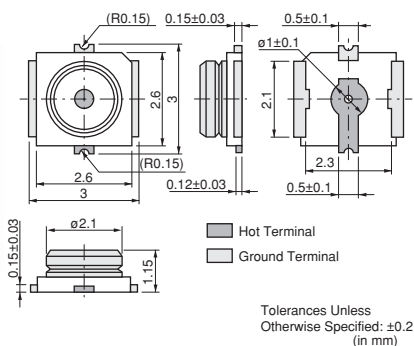
MM5829-2700



(in mm)

Dimensions

MM9329-2700



(in mm)

Dimensions

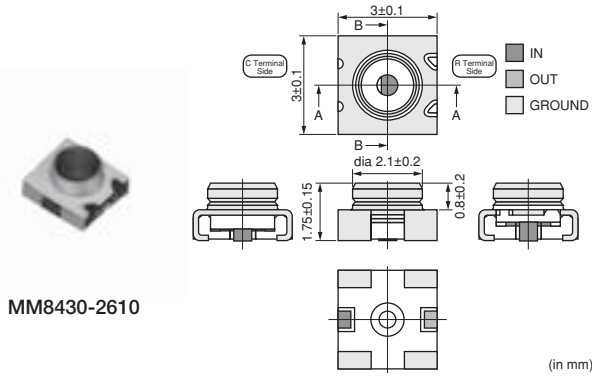
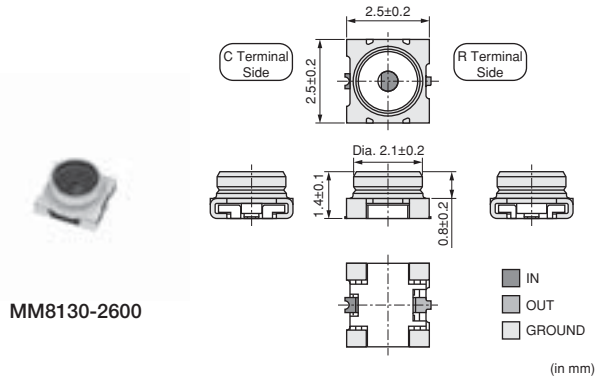
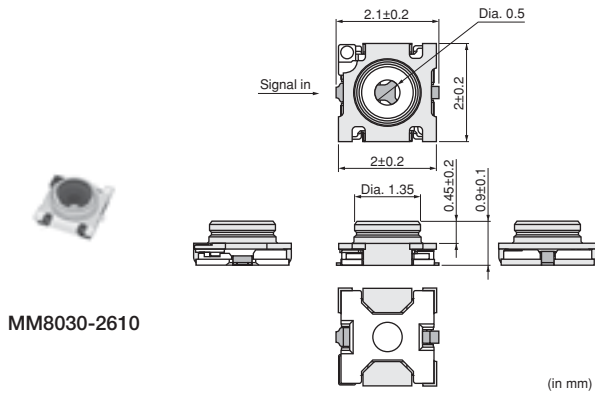
| Part Number | Rated Voltage (Vrms) | Frequency Rating (GHz) | Temperature Range | VSWR                  |
|-------------|----------------------|------------------------|-------------------|-----------------------|
| MM4829-2702 | 250                  | to 6.0                 | -40 to +85°C      | 1.3 max. (DC to 3GHz) |
| MM5829-2700 | 30                   | to 12                  | -40 to +85°C      | 1.3 max. (DC to 3GHz) |
| MM9329-2700 | 250                  | to 6.0                 | -40 to +90°C      | 1.2 max. (DC to 3GHz) |
| MXHP32      | 250                  | to 6.0                 | -40 to +85°C      | 1.3 max.(DC to 3GHz)  |
| MXJA01      | 30                   | to 12                  | -40 to +85°C      | 1.3 max.(DC to 3GHz)  |
| MXTK92      | 250                  | to 6.0                 | -40 to +90°C      | 1.2 max.(DC to 3GHz)  |

Impedance: 50ohm

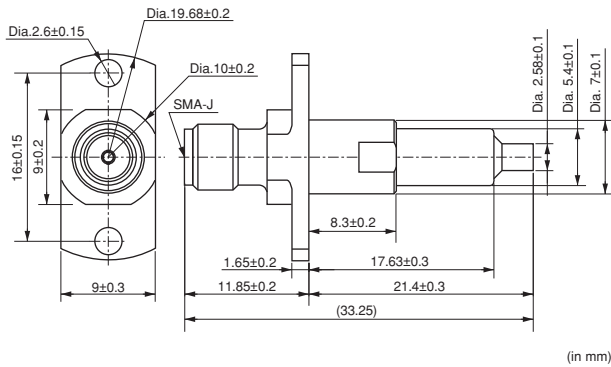
# Microwave Coaxial Connectors



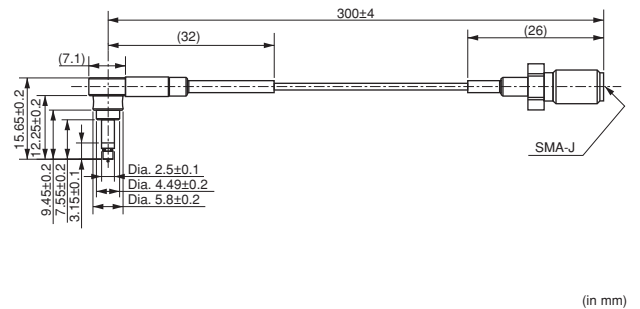
## Coaxial Connectors with Switch



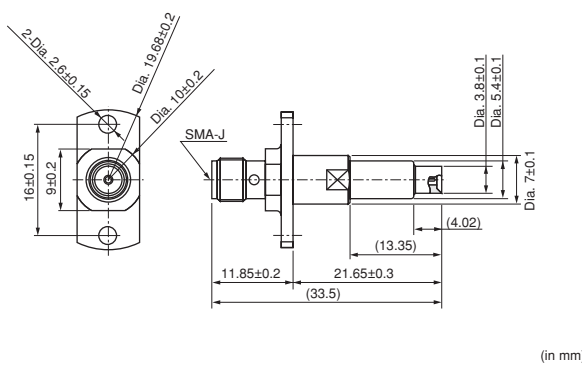
Measurement Probe for MM8030-2610  
 (P/N: MM126310)



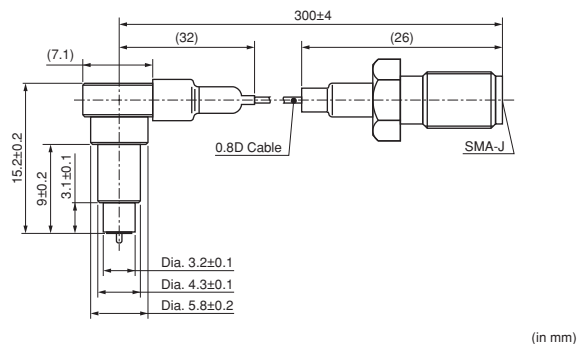
Measurement Probe for MM8030-2610  
 (P/N: MXHQ87WA3000)



Measurement Probe for MM8130-2600/MM8430-2610  
 (P/N: MM126036)

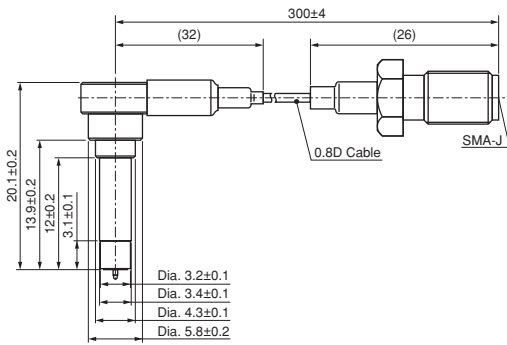


Measurement Probe for MM8130-2600/MM8430-2610  
 (P/N: MXHS83QE3000)



Continued from the preceding page.

**Measurement Probe for MM8130-2600/MM8430-2610  
 (P/N: MXHS83QH3000)**



| Part Number | Rated Voltage (Vrms) | Frequency Rating (GHz) | Temperature Range | VSWR (1)              |
|-------------|----------------------|------------------------|-------------------|-----------------------|
| MM8030-2610 | 250                  | to 11                  | -40 to +85°C      | 1.2 max. (DC to 3GHz) |
| MM8130-2600 | 250                  | to 6                   | -40 to +85°C      | 1.2 max. (DC to 3GHz) |
| MM8430-2610 | 250                  | to 6                   | -40 to +85°C      | 1.2 max.(DC to 3GHz)  |

Impedance: 50ohm

## X-ON Electronics

Largest Supplier of Electrical and Electronic Components

*Click to view similar products for [RF Connectors / Coaxial Connectors](#) category:*

*Click to view products by [Murata](#) manufacturer:*

Other Similar products are found below :

[8915-1511-000](#) [89674-0827](#) [6001-7071-019](#) [6002-7051-003](#) [6002-7551-202](#) [6059674-1](#) [619550-1](#) [630059-000](#) [M39030/3-01N](#) [6500-7071-046](#) [6769](#) [CX050L2AQ](#) [7002-1542-011](#) [7004-1512-000](#) [7009-1511-004](#) [7010-1511-000](#) [7029-1511-060](#) [7101-1541-010](#) [7101-1571-002](#) [7105-1521-002](#) [7145-1521-002](#) [7203-1571-003](#) [7209-1511-011](#) [7210-1511-015](#) [7210-1511-019](#) [73137-5015](#) [73216-2241](#) [73404-2300](#) [7405-1521-005](#) [7405-1521-802](#) [8527](#) [8547](#) [FS11V](#) [8808-1511-001](#) [9049-9513-000](#) [9074-9513-000](#) [9101-9573-002](#) [910A205F](#) [9130-9573-002](#) [PL11SC-026](#) [PL375-33](#) [PL40-5](#) [PL74C-221](#) [PL75MC-217](#) [PL803-7](#) [1200690078](#) [1-201144-1](#) [R107003010W](#) [R110A172100](#) [R112186000](#)