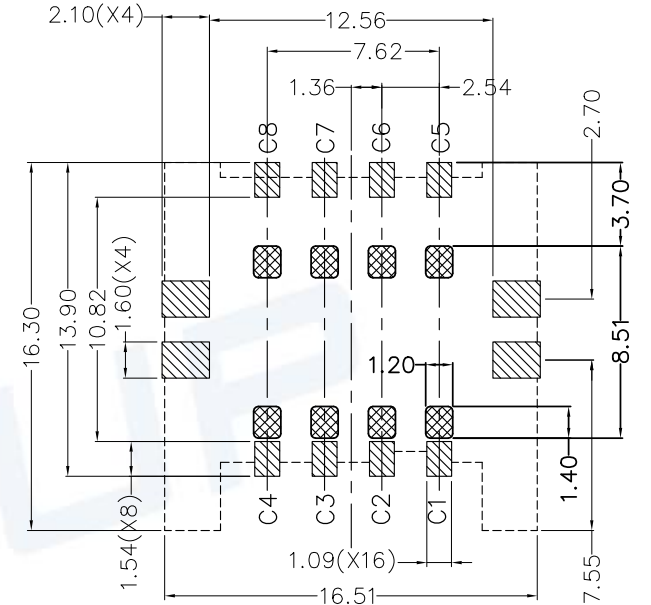
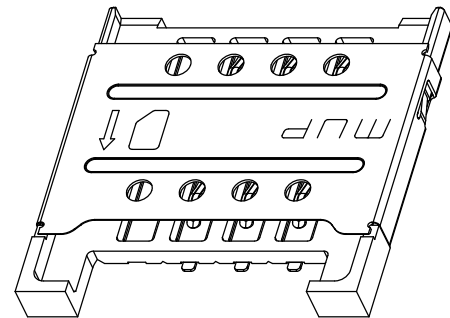
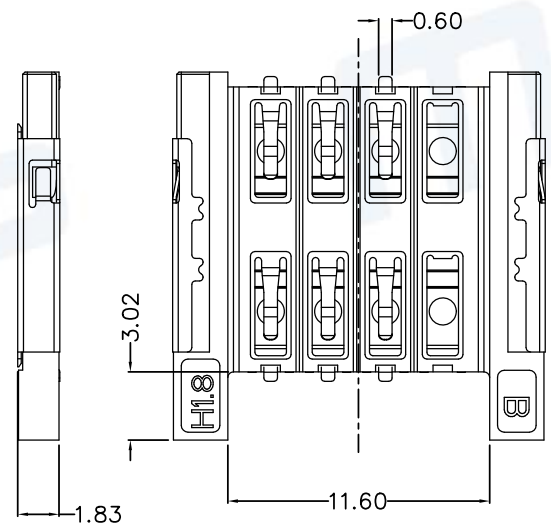
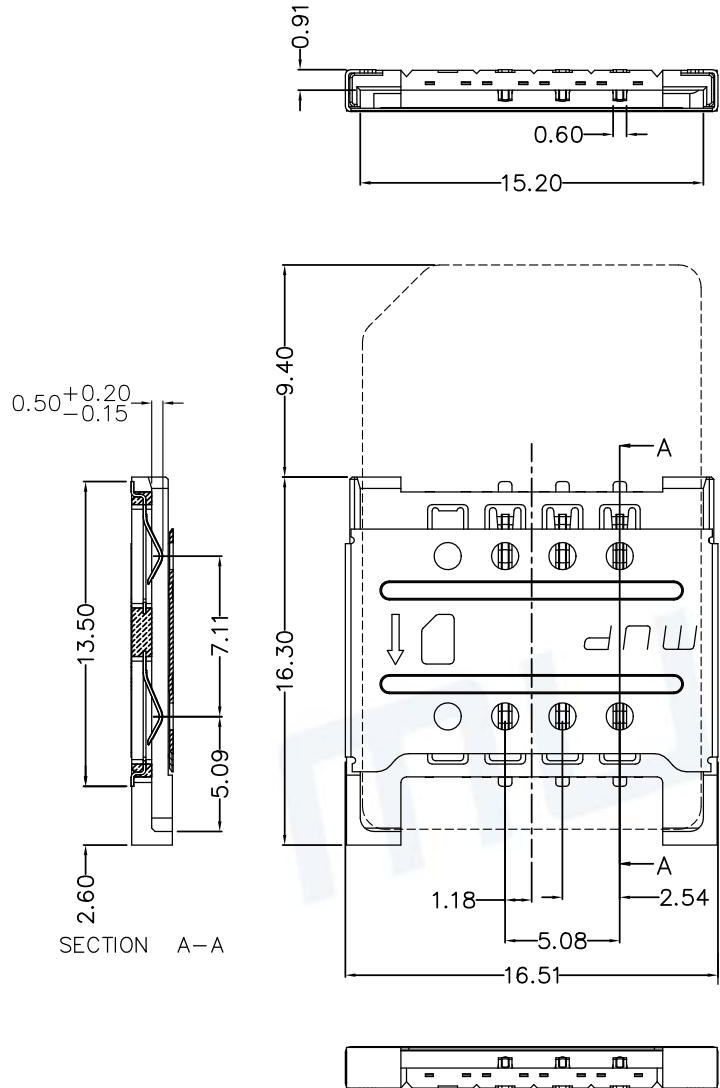


REV.	DESCRIPTION OF REVISIONS	APPR.	DRAW.	RELEASE	DATE
X1					



RECOMMENDED P.C.B LAYOUT  
COMPONENT SIDE(TOLERANCE ±0.05)



TECHNICAL CHARACTERISTICS

- General Characteristics
  - Dimensions: 16.51LX16.30WX1.80H mm
  - Weight: Approx g
  - Durability: 5,000 cycles min.
- Electrical Characteristics
  - Contact resistance: 50mΩ typical, 100mΩ max
  - Insulation resistance: >1000MΩ/500V DC
- Solderability
  - Vaporphase: 215°C, 30sec. Max
  - IR reflow: 250°C, 5sec. Max
  - Manual soldering: 370°C, 3sec. Max
- Environmental Characteristics
  - Operating temperature: -40°C~+85°C
  - Operating humidity: 10%~+95%RH

ITEM	PART NAME	Q'TY	MATERIAL	FINISH
1	HOUSING	1	Hi-temp Thermoplastic	Black UL94V-0
2	DATA CONTACT	6	Copper Alloy	Contact area: Gold plated
3	SHELL	1	Stainless Steel	SMT area: Gold plated

Unless otherwise specified, other tolerance are:

X	±0.35	X*	±5'
X.X	±0.25	X.X*	±4'
X.XX	±0.15	X.XX*	±3'
X.XXX	±0.10	X.XXX*	±2'

**MUP** MUP INDUSTRIAL CO.,LTD.

NAME: **SIM Card Connector**

MODEL NO: **MUP-C708-5**

TYPE: **H1.80 Without post 6P**

PROJ.	UNIT	SCALE	DRAWN	Jimmy 5/10-17'	DWG NO.:	DWG-MUP-C708-005
	mm	1:1	CHECKED	Sean 5/10-17'	SHEET	1/1
CUSTOMER DRAWING			APPROVAL	Simon 5/10-17'	REVISION	X1



## X-ON Electronics

Largest Supplier of Electrical and Electronic Components

*Click to view similar products for [Memory Card Connectors](#) category:*

*Click to view products by [Murata](#) manufacturer:*

Other Similar products are found below :

[M21-033321-005](#) [6407-249V-25273P](#) [6407-249V-25343P](#) [6426-201-21343](#) [69.920.0553.0](#) [MCR60A-98D-2.54DSA\(70\)](#) [809180410000000](#)  
[DM3AT-SF-PEJM5\(41\)](#) [IC11S-BUR-PNEJL\(71\)](#) [252-0144-000](#) [2041353-2](#) [308-DS1P0811-192](#) [HM2P09PDR360N9LF](#) [10014744-011TLF](#)  
[11327-001](#) [11327-002](#) [617230001](#) [NX1-32T-KT3K\(05\)](#) [N7E50-U516RB-50-SIN0005](#) [68-580163-21S](#) [125A-78C00](#) [CCM03-3109 B LFT](#)  
[2309923-1](#) [61126-050CAHLF](#) [IC1GA-68PD-1.27DS-EJ\(72\)](#) [GTFP08432B1HR](#) [SCE2MSDZN76A121SN](#) [10014744-011ALF](#) [10014744-](#)  
[011LF](#) [10057542-1211FLF](#) [10067972-000LF](#) [10067972-050LF](#) [10122302-20110LF](#) [G85D1162022HHR](#) [MUP-C7809-1](#) [NANO SIM 7P](#)  
[H1.37](#) [MICRO SIM 7P H1.35](#) [TF-CARD H1.8 SY](#) [MICRO SIM 6P H1.35](#) [TF-CARD H1.8](#) [TF-115Y-BCP9](#) [TF-115YY-ACP9](#) [SMN-309-](#)  
[ARP6](#) [TF-115Y-ACP9](#) [TF-108-ARP10](#) [SMN-303S-ACP7](#) [SNO-14100](#) [SD-112S](#) [MUP-C7804-1](#) [KH-TF-07DT](#)