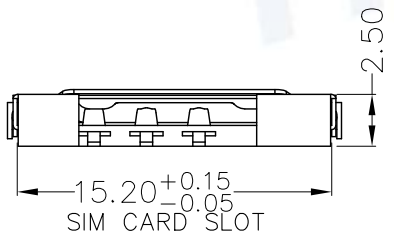
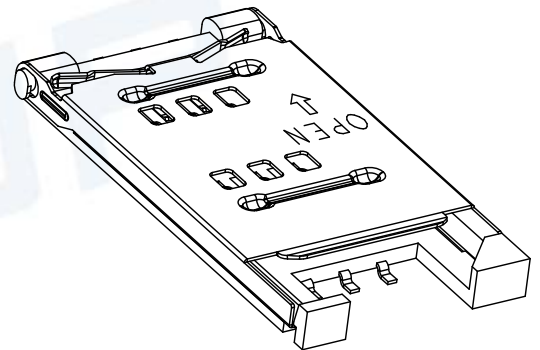
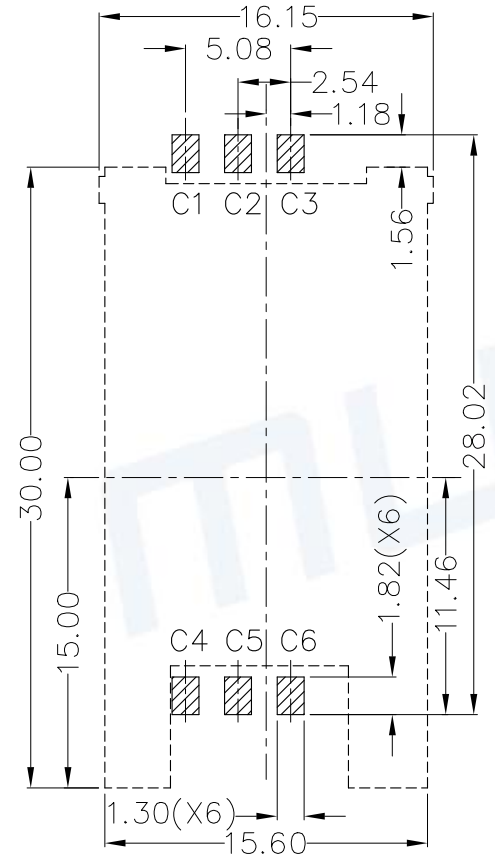
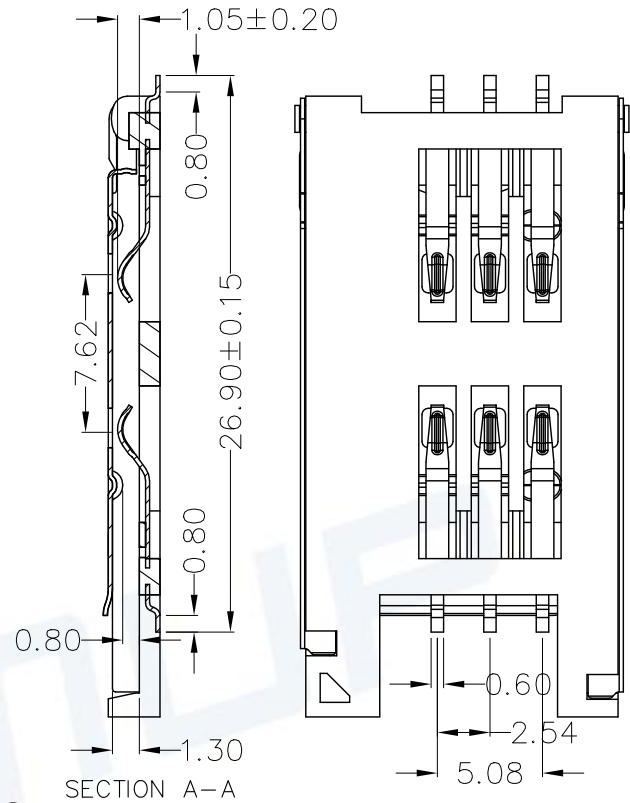
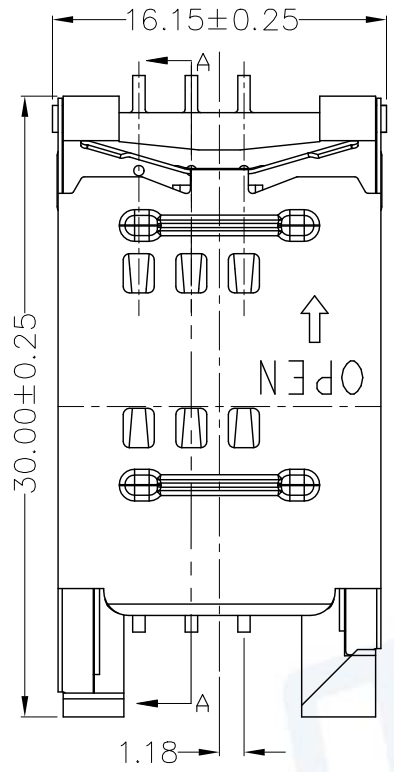


REV.	DESCRIPTION OF REVISIONS	APPR.	DRAW.	RELEASE	DATE
X1					
X2					



**TECHNICAL CHARACTERISTICS**

1.General Characteristics  
 Dimensions: 30.00LX16.15WX2.50H mm  
 Weight: Approx 1.30±0.2g  
 Durability: 5,000 cycles min.

2.Electrical Characteristics  
 Contact resistance: 50mΩ typical, 100mΩ max  
 Insulation resistance: >1000MΩ/500V DC

3.Solderability  
 Vapor phase: 215°C, 30sec. Max  
 IR reflow: 250°C, 5sec. Max  
 Manual soldering: 370°C, 3sec. Max

4.Environmental Characteristics  
 Operating temperature: -40°C~+85°C  
 Operating humidity: 10%~+95%RH

RECOMMENDED P.C.B LAYOUT  
 COMPONENT SIDE(TOLERANCE ±0.05)

ITEM	PART NAME	Q'TY	MATERIAL	FINISH
1	BASE	1	Hi-temp Thermoplastic	Black UL94V-0
2	COVER	1	Stainless steel	
3	DATA CONTACT	6	Copper Alloy	Contact area: Gold plated

Unless otherwise specified, other tolerance are:

X	±0.35	X*	±5*
X.X	±0.25	X.X*	±4*
X.XX	±0.15	X.XX*	±3*
X.XXX	±0.10	X.XXX*	±2*

**MUP** MUP INDUSTRIAL CO.,LTD.

NAME: **SIM Card Connector**  
 MODEL NO: **MUP C714-2**  
 TYPE: **H2.7 without post 6p**

PROJ.	UNIT	SCALE	DRAWN	Zoey Apr.09.2009	DWG NO.:	DWG-MUP-C714-002
	mm	1:1	CHECKED	Jimmy Apr.09.2009	SHEET	1/1
CUSTOMER DRAWING			APPROVAL	Simon Apr.09.2009	REVISION	X1



## X-ON Electronics

Largest Supplier of Electrical and Electronic Components

*Click to view similar products for [Memory Card Connectors](#) category:*

*Click to view products by [Murata](#) manufacturer:*

Other Similar products are found below :

[M21-033321-005](#) [6407-249V-25273P](#) [6407-249V-25343P](#) [69.920.0553.0](#) [809180410000000](#) [DM3AT-SF-PEJM5\(41\)](#) [N7E50-7516PG-20-WF](#)  
[HMCAP001](#) [252-0144-000](#) [2041353-2](#) [308-DS1P0811-192](#) [HM2P09PDR360N9LF](#) [502431-1011](#) [10-247926-166](#) [10-629549-258N](#) [11327-](#)  
[001](#) [11327-002](#) [617230001](#) [95622-003LF](#) [N7E50-U516RB-50-SIN0005](#) [84648-056HLF](#) [93-570123-08P](#) [MI20A-50PD-SF-EJL\(71\)](#) [KP10S-](#)  
[SF-PEJ\(812\)](#) [504536-0691](#) [CCM03-3109 B LFT](#) [MI21-50PD-SF\(91\)](#) [2309923-1](#) [61126-050CAHLF](#) [IC1GA-68PD-1.27DS-EJ\(72\)](#)  
[GTFP08432B1HR](#) [G85DT17001P1EU](#) [G85C11101152HHR](#) [G85D1160022HHR](#) [KP15TL-SF\(800\)](#) [KP10BH-8S-SF\(800\)](#) [DM1B-DSF-](#)  
[PEJ\(92\)](#) [SCE2MSDB76A121SN](#) [SCE2MSDZN76A121SN](#) [C00710B0250001](#) [GT-TF003-H0185-01](#) [GT-TF003-H0185-02](#) [TF-012-P9](#) [2-SD](#)  
[TF-020](#) [MUP-C714-2](#) [SNO-1310](#) [MUP-C726-21](#) [C-TF00M08P-P000](#) [47309-2651](#)