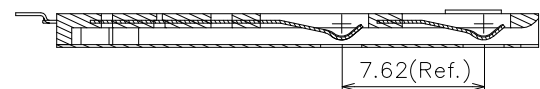
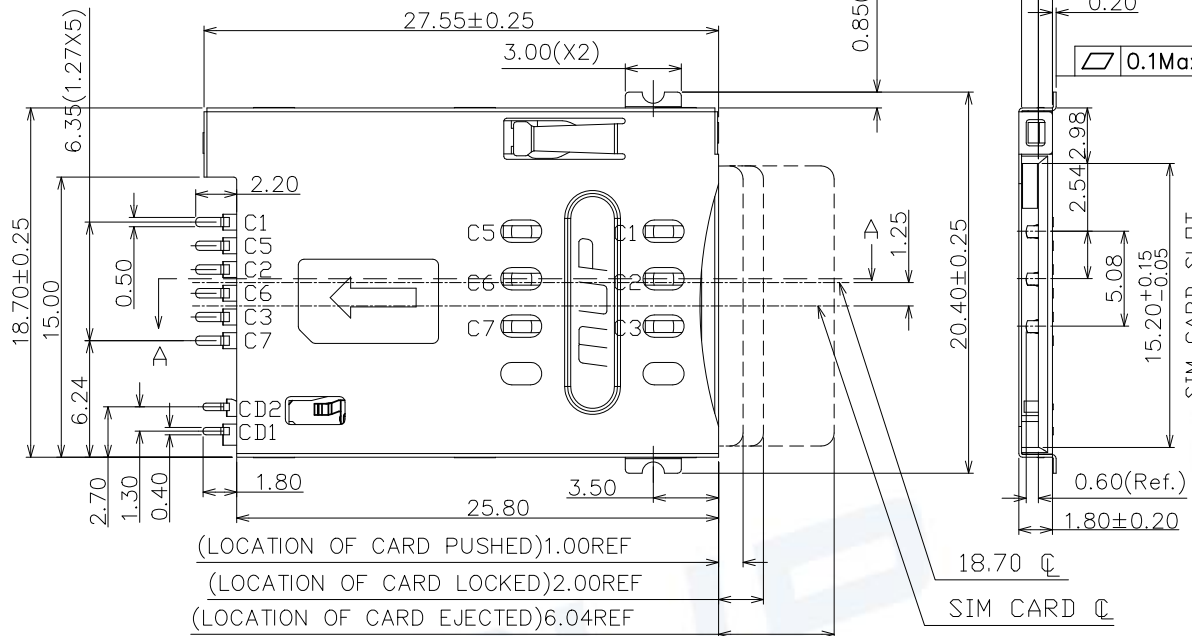


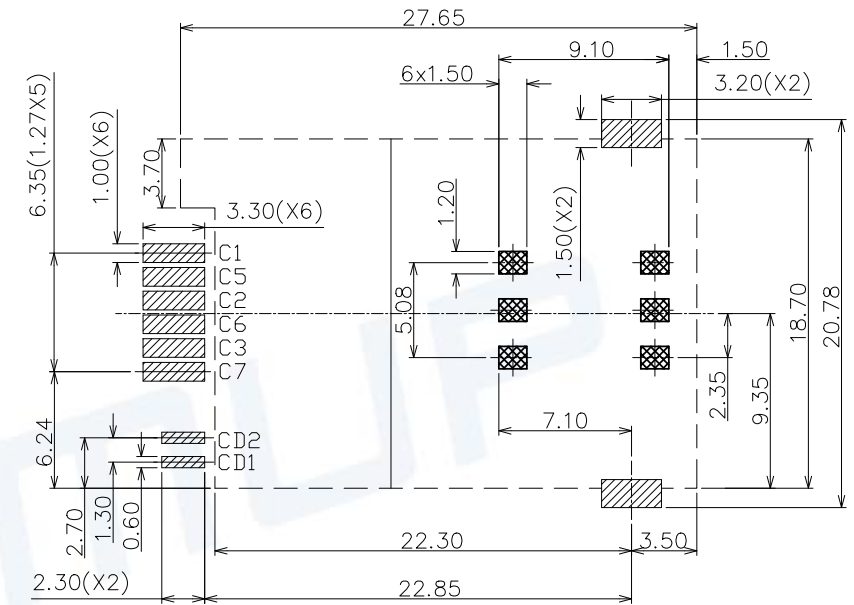
| REV. | DESCRIPTION OF REVISIONS | APPR. | DRAW. | RELEASE | DATE        |
|------|--------------------------|-------|-------|---------|-------------|
| X1   | NEW REVISION             |       |       |         | Sep.30.2014 |



SECTION A-A



(LOCATION OF CARD PUSHED)1.00REF  
 (LOCATION OF CARD LOCKED)2.00REF  
 (LOCATION OF CARD EJECTED)6.04REF

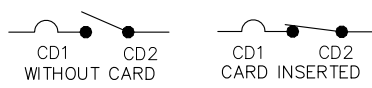


RECOMMENDED P.C.B LAYOUT  
 COMPONENT SIDE(TOLERANCE ±0.05)

- PAD AREA
- CONNECTOR OUTLINE
- NO PATTERN AND VIA HOLE IN THIS AREA

**TECHNICAL CHARACTERISTICS**  
 1.General Characteristics  
 Dimensions:27.60LX18.70WX1.80H mm  
 Weight:Approx 1.33g  
 Durability:5,000 cycles min.  
 2.Electrical Characteristics  
 Contact resistance:50mΩ typical,  
 100mΩ max  
 Insulation resistance:>1000MΩ/500V DC  
 3.Solderability  
 Vapor phase:215°C,30sec.Max  
 IR reflow:250°C,5sec.Max  
 Manual soldering:370°C,3sec.Max  
 4.Environmental Characteristics  
 Operating temperature:-40°C~+85°C  
 Operating humidity:10%~+95%RH

| ELECTRIC FUNCTION | DETECT SWITCH |
|-------------------|---------------|
| WITHOUT CARD      | OPEN          |
| CARD INSERTED     | CLOSED        |



SWITCH OPERATION DIAGRAM

| ITEM | PART NAME    | Q'TY | MATERIAL              | FINISH                   |
|------|--------------|------|-----------------------|--------------------------|
| 1    | HOUSING      | 1    | Hi-temp Thermoplastic | Black UL94V-0            |
| 2    | SHELL        | 1    | Stainless Steel       | SMT area:Gold plated     |
| 3    | DATA CONTACT | 6    | Copper Alloy          | Contact area:Gold plated |
| 4    | HEART CAM    | 1    | Hi-temp Thermoplastic | Black UL94V-0            |
| 5    | COLL SPRING  | 1    | SWP.                  |                          |
| 6    | CAM PIN      | 1    | Stainless Steel       |                          |
| 7    | CD2 SWITCH   | 1    | Copper Alloy          | Contact area:Gold plated |

Unless otherwise specified, other tolerance are:

|       |       |        |     |
|-------|-------|--------|-----|
| X     | ±0.35 | X'     | ±5' |
| X.X   | ±0.25 | X.X'   | ±4' |
| X.XX  | ±0.15 | X.XX'  | ±3' |
| X.XXX | ±0.10 | X.XXX' | ±2' |

**MUP** MUP INDUSTRIAL CO.,LTD.

NAME: **SIM Card Connector**

MODEL NO: **MUP-C720-2**

TYPE: **without post /6pin /Normally open**

| PROJ. | UNIT | SCALE |
|-------|------|-------|
|       | mm   | 1:1   |

CUSTOMER DRAWING

| DRAWN            | CHECKED          | APPROVAL      | DWG NO.:       | SHEET | REVISION |
|------------------|------------------|---------------|----------------|-------|----------|
| Henry Ou.09.2014 | Henry Ou.09.2014 | Simon 09.2014 | DWG-MUP-C720-2 | 1/1   | X1       |



## X-ON Electronics

Largest Supplier of Electrical and Electronic Components

*Click to view similar products for [Memory Card Connectors](#) category:*

*Click to view products by [Murata](#) manufacturer:*

Other Similar products are found below :

[M21-033321-005](#) [6407-249V-25273P](#) [6407-249V-25343P](#) [69.920.0553.0](#) [MCR60A-98D-2.54DSA\(70\)](#) [809180410000000](#) [DM3AT-SF-PEJM5\(41\)](#) [IC11S-BUR-PNEJL\(71\)](#) [252-0144-000](#) [2041353-2](#) [308-DS1P0811-192](#) [HM2P09PDR360N9LF](#) [10014744-011TLF](#) [11327-001](#) [11327-002](#) [617230001](#) [NX1-32T-KT3K\(05\)](#) [N7E50-U516RB-50-SIN0005](#) [68-580163-21S](#) [CCM03-3109 B LFT](#) [2309923-1](#) [61126-050CAHLF](#) [IC1GA-68PD-1.27DS-EJ\(72\)](#) [GTFP08432B1HR](#) [SCE2MSDZN76A121SN](#) [10014744-011ALF](#) [10014744-011LF](#) [10057542-1211FLF](#) [10067972-000LF](#) [10067972-050LF](#) [10122302-20110LF](#) [G85D1162022HHR](#) [MUP-C7809-1](#) [NANO SIM 7P H1.37](#) [MICRO SIM 7P H1.35](#) [TF-CARD H1.8 SY](#) [MICRO SIM 6P H1.35](#) [TF-CARD H1.8](#) [TF-115Y-BCP9](#) [TF-115YY-ACP9](#) [SMN-309-ARP6](#) [TF-115Y-ACP9](#) [TF-108-ARP10](#) [SMN-303S-ACP7](#) [SNO-14100](#) [SD-112S](#) [MUP-C7804-1](#) [KH-TF-07DT](#) [MICRO SIM 6+1P H1.5](#) [NANO SIM TL6P H1.35](#)