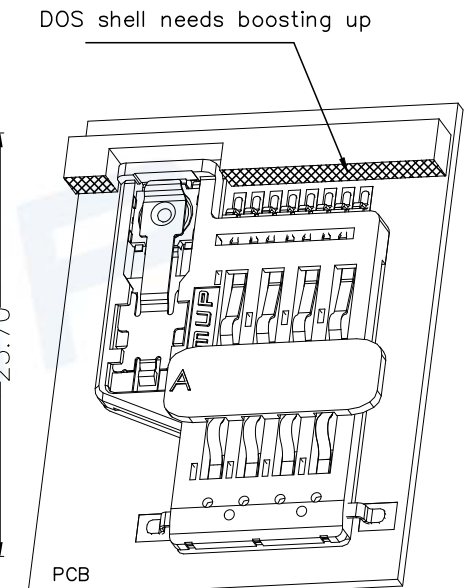
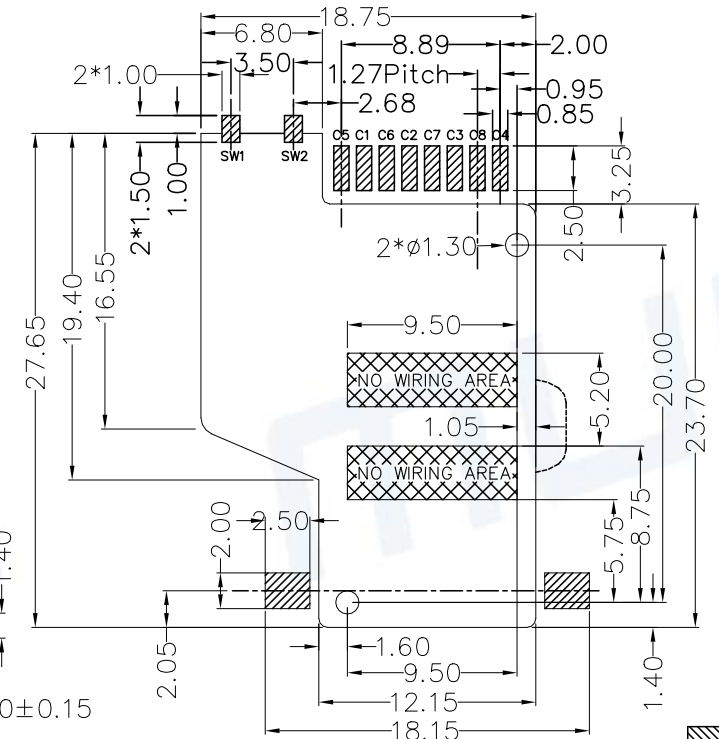
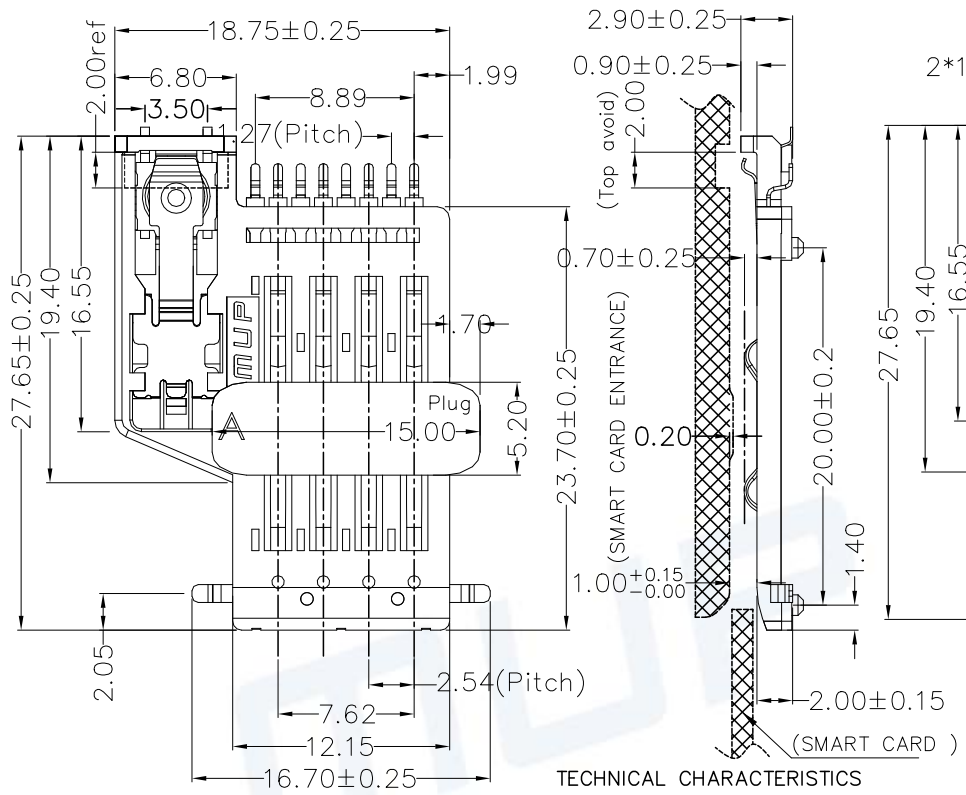


REV.	DESCRIPTION OF REVISIONS	APPR.	DRAW.	RELEASE	DATE
X1					

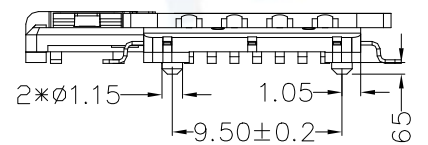


**RECOMMENDED P.C.B LAYOUT**  
**COMPONENT SIDE(TOLERANCE ±0.05)**  
 Coplanarity of metal solder pins 0.12mm  
 Recommending of solder paste thickness > 0.15mm

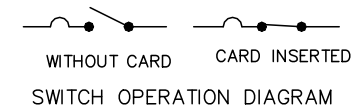
▨ PAD AREA  
 ▩ STAND OFF AREA

**TECHNICAL CHARACTERISTICS**

- General Characteristics**  
 Dimensions: 27.65LX18.75WX2.00H mm  
 Weight: Approx 0.95±0.3g  
 Durability: 300,000 cycles min  
 (The height of the bayonet directly affects the service life)
- Electrical Characteristics**  
 Contact resistance: 50mΩ typical, 100mΩ max  
 Insulation resistance: >1000MΩ/500V DC  
 Switch Contact resistance: 100mΩ typical, 200mΩ max  
 Switch Insulation resistance: 100MΩ min
- Solderability**  
 Vapor phase: 215°C.30sec.Max  
 IR reflow: 260°C.10sec.Max  
 Manual soldering: 370°C, 3sec.Max
- Environmental Characteristics**  
 Operating temperature: -40°C~+85°C  
 Operating humidity: 10%~+95%RH



ELECTRIC FUNCTION	DETECT SWITCH
WITHOUT CARD	OPEN
CARD INSERTED	CLOSED



ITEM	PART NAME	Q'TY	MATERIAL	FINISH
1	BASE	1	Hi-temp Thermoplastic	Black UL94V-0
2	DATA CONTACT	8	Copper Alloy	Contact area:Gold plated
3	SWITCH CONTACT	1		Contact area:Silver plated
4	LATCH	1	Brass	Plated: Tin over all
5	FLAKE	1	SUS	

Unless otherwise specified, other tolerance are:

X ±0.35		X* ±5*	NAME: <b>Smart Card Acceptor</b>	
X.X ±0.25		X.X* ±4*	MODEL NO: <b>MUP-C7309-2 H2.00mm</b>	
X.XX ±0.15		X.XX* ±3*	TYPE: <b>Normally open (Sealed SW)</b>	
X.XXX ±0.10		X.XXX* ±2*	DRAWN: Zoey 2020.11.04	
PROJ.	UNIT mm	SCALE 1:1	CHECKED: Keey 2020.11.04	DWG NO.: DWG-MUP-C7309-002
CUSTOMER DRAWING			APPROVAL: Simon 2020.11.04	SHEET 1/1
				REVISION X1



## X-ON Electronics

Largest Supplier of Electrical and Electronic Components

*Click to view similar products for [Memory Card Connectors](#) category:*

*Click to view products by [Murata](#) manufacturer:*

Other Similar products are found below :

[M21-033321-005](#) [6407-249V-25273P](#) [6407-249V-25343P](#) [69.920.0553.0](#) [MCR60A-98D-2.54DSA\(70\)](#) [809180410000000](#) [DM3AT-SF-PEJM5\(41\)](#) [IC11S-BUR-PNEJL\(71\)](#) [252-0144-000](#) [2041353-2](#) [308-DS1P0811-192](#) [HM2P09PDR360N9LF](#) [10014744-011TLF](#) [11327-001](#) [11327-002](#) [617230001](#) [NX1-32T-KT3K\(05\)](#) [N7E50-U516RB-50-SIN0005](#) [68-580163-21S](#) [CCM03-3109 B LFT](#) [2309923-1](#) [61126-050CAHLF](#) [IC1GA-68PD-1.27DS-EJ\(72\)](#) [GTFP08432B1HR](#) [SCE2MSDZN76A121SN](#) [10014744-011ALF](#) [10014744-011LF](#) [10057542-1211FLF](#) [10067972-000LF](#) [10067972-050LF](#) [10122302-20110LF](#) [G85D1162022HHR](#) [MUP-C7809-1](#) [NANO SIM 7P H1.37](#) [MICRO SIM 7P H1.35](#) [TF-CARD H1.8 SY](#) [MICRO SIM 6P H1.35](#) [TF-CARD H1.8](#) [TF-115Y-BCP9](#) [TF-115YY-ACP9](#) [SMN-309-ARP6](#) [TF-115Y-ACP9](#) [TF-108-ARP10](#) [SMN-303S-ACP7](#) [SNO-14100](#) [SD-112S](#) [MUP-C7804-1](#) [KH-TF-07DT](#) [MICRO SIM 6+1P H1.5](#) [NANO SIM TL6P H1.35](#)