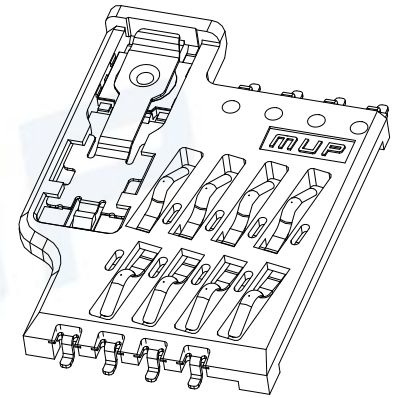
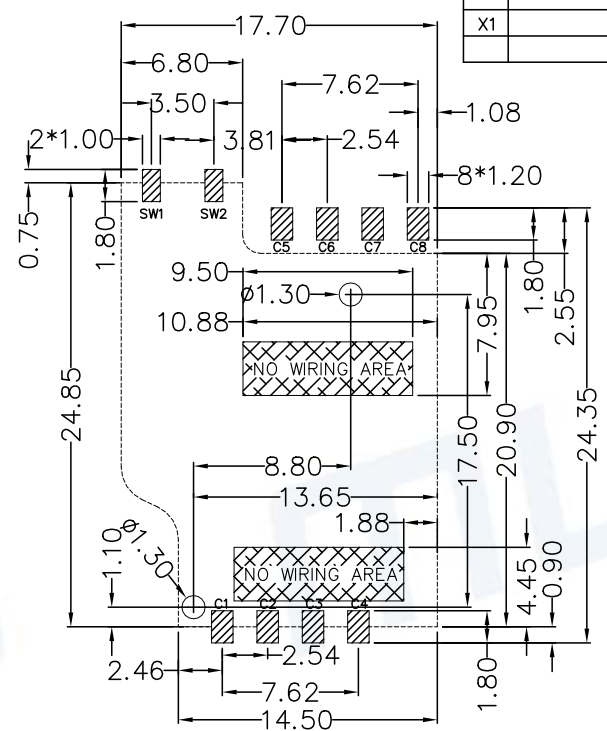
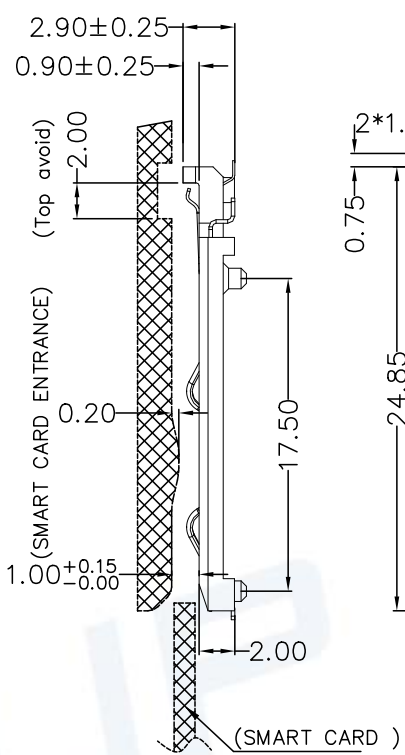
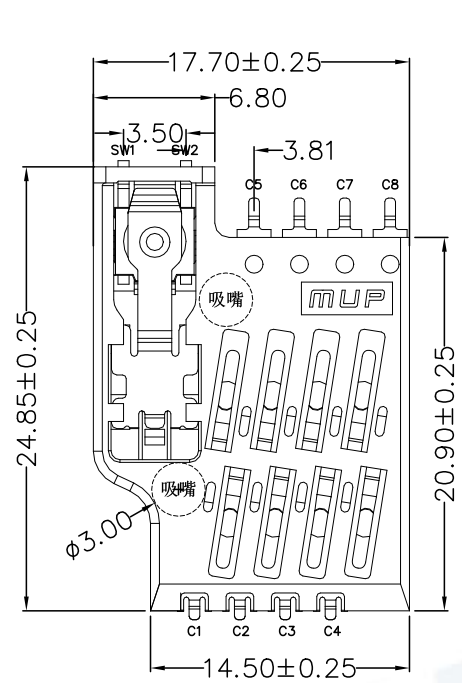
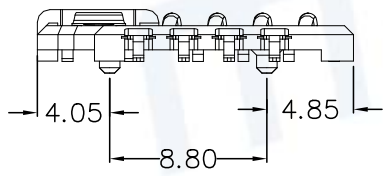


REV.	DESCRIPTION OF REVISIONS	APPR.	DRAW.	RELEASE	DATE
X1					



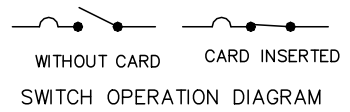
RECOMMENDED P.C.B LAYOUT  
 COMPONENT SIDE(TOLERANCE ±0.05)  
 Coplanarity of metal solder pins 0.15mm  
 Recommending of solder paste thickness > 0.15mm  
 ▨ PAD AREA    ▩ STAND OFF AREA



TECHNICAL CHARACTERISTICS

- General Characteristics  
 Dimensions: 24.85X17.70WX2.00H mm  
 Weight: Approx 0.95±0.3g  
 Durability: 300,000 cycles min.
- Electrical Characteristics  
 Contact resistance: 50mΩ typical, 100mΩ max  
 Insulation resistance: >1000MΩ/500V DC  
 Switch Contact resistance: 100mΩ typical, 200mΩ max  
 Switch Insulation resistance: 100MΩ min
- Solderability  
 Vapor phase: 215°C.30sec.Max  
 IR reflow: 260°C.10sec.Max  
 Manual soldering: 370°C, 3sec.Max
- Environmental Characteristics  
 Operating temperature: -40°C~+85°C  
 Operating humidity: 10%~+95%RH

ELECTRIC FUNCTION	DETECT SWITCH
WITHOUT CARD	OPEN
CARD INSERTED	CLOSED



ITEM	PART NAME	Q'TY	MATERIAL	FINISH
1	BASE	1	Hi-temp Thermoplastic	Black UL94V-0
2	DATA CONTACT	8	Copper Alloy	Contact area:Gold plated
3	SWITCH CONTACT	1		Contact area:Silver plated
4	FLAKE	1	SUS	

Unless otherwise specified, other tolerance are:

X	±0.35	X'	±5°
X.X	±0.25	X.X'	±4°
X.XX	±0.15	X.XX'	±3°
X.XXX	±0.10	X.XXX'	±2°

PROJ. UNIT mm SCALE 1:1

**MUP** MUP INDUSTRIAL CO.,LTD.

NAME: **Smart Card Acceptor**  
 MODEL NO: **MUP-C7310-3-H2.00 8P**  
 TYPE: **Normally open**

DRAWN	Zoey	2020.10.21	DWG NO.:	DWG-MUP-C7310-003
CHECKED	Keey	2020.10.21	SHEET	
APPROVAL	Simon	2020.10.21	REVISION	X1

CUSTOMER DRAWING



## X-ON Electronics

Largest Supplier of Electrical and Electronic Components

*Click to view similar products for [Memory Card Connectors](#) category:*

*Click to view products by [Murata](#) manufacturer:*

Other Similar products are found below :

[M21-033321-005](#) [6407-249V-25273P](#) [6407-249V-25343P](#) [69.920.0553.0](#) [MCR60A-98D-2.54DSA\(70\)](#) [809180410000000](#) [DM3AT-SF-PEJM5\(41\)](#) [IC11S-BUR-PNEJL\(71\)](#) [252-0144-000](#) [2041353-2](#) [308-DS1P0811-192](#) [HM2P09PDR360N9LF](#) [10014744-011TLF](#) [11327-001](#) [11327-002](#) [617230001](#) [NX1-32T-KT3K\(05\)](#) [N7E50-U516RB-50-SIN0005](#) [68-580163-21S](#) [CCM03-3109 B LFT](#) [2309923-1](#) [61126-050CAHLF](#) [IC1GA-68PD-1.27DS-EJ\(72\)](#) [GTFP08432B1HR](#) [SCE2MSDZN76A121SN](#) [10014744-011ALF](#) [10014744-011LF](#) [10057542-1211FLF](#) [10067972-000LF](#) [10067972-050LF](#) [10122302-20110LF](#) [G85D1162022HHR](#) [MUP-C7809-1](#) [NANO SIM 7P H1.37](#) [MICRO SIM 7P H1.35](#) [TF-CARD H1.8 SY](#) [MICRO SIM 6P H1.35](#) [TF-CARD H1.8](#) [TF-115Y-BCP9](#) [TF-115YY-ACP9](#) [SMN-309-ARP6](#) [TF-115Y-ACP9](#) [TF-108-ARP10](#) [SMN-303S-ACP7](#) [SNO-14100](#) [SD-112S](#) [MUP-C7804-1](#) [KH-TF-07DT](#) [MICRO SIM 6+1P H1.5](#) [NANO SIM TL6P H1.35](#)