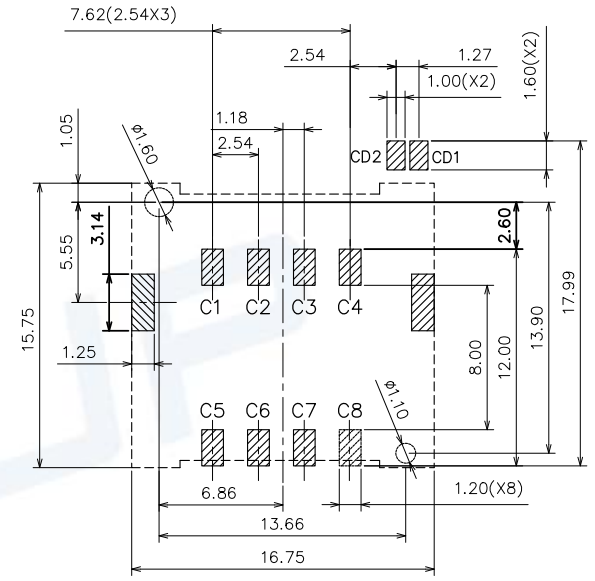
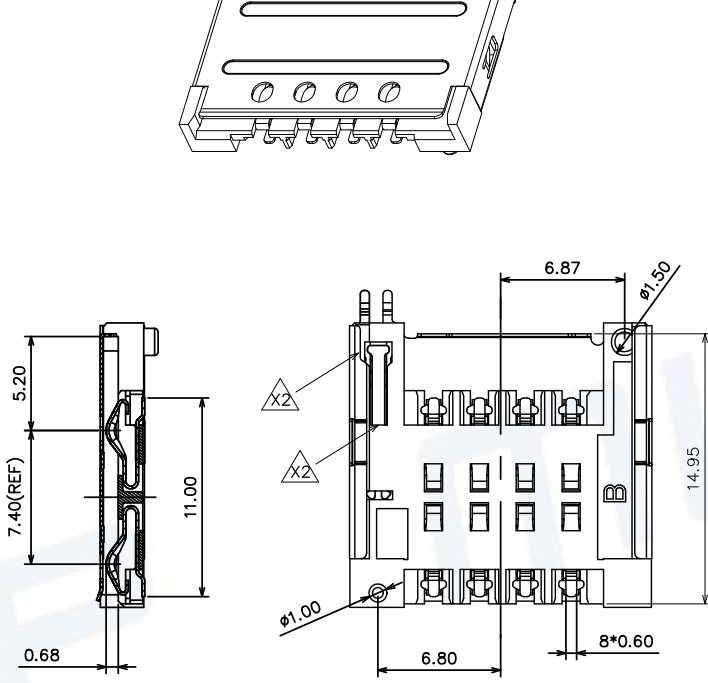
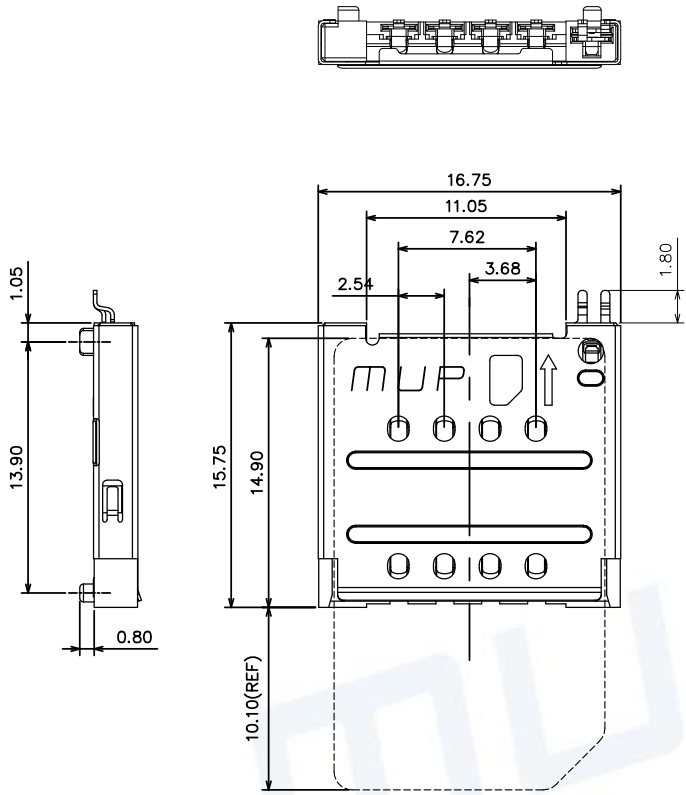
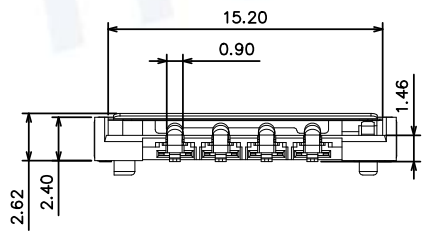


REV.	DESCRIPTION OF REVISIONS	APPR.	DRAW.	RELEASE	DATE
X1	新开	wang	huabo		2017/5/10
X2	铁壳增加避位及主体加胶	wang	huabo		2020/10/9



RECOMMENDED P.C.B LAYOUT  
COMPONENT SIDE(TOLERANCE ±0.05)



ELECTRIC FUNCTION	DETECT SWITCH
WITHOUT CARD	OPEN
CARD INSERTED	CLOSED



**TECHNICAL CHARACTERISTICS**

**1.General Characteristics**  
 Dimensions: 16.75LX15.75WX2.60H mm  
 Weight: Approx g  
 Durability: 5,000 cycles min.

**2.Electrical Characteristics**  
 Contact resistance: 50mΩ typical, 100mΩ max  
 Insulation resistance: >1000MΩ/500V DC

**3.Solderability**  
 Vaporphase: 215°C, 30sec.Max  
 IR reflow: 250°C, 5sec.Max  
 Manual soldering: 370°C, 3sec.Max

**4.Environmental Characteristics**  
 Operating temperature: -40°C~+85°C  
 Operating humidity: 10%~+95%RH

ITEM	PART NAME	Q'TY	MATERIAL	FINISH
1	HOUSING	1	Hi-temp Thermoplastic	Black UL94V-0
2	DATA CONTACT	8	Copper Alloy	Contact area:Gold plated
3	SHELL	1	Stainless Steel	SMT area:Ni plated
4	SWITCH CONTACT-1	1	Copper Alloy	Contact area:Gold plated
5	SWITCH CONTACT-2	1	Copper Alloy	Contact area:Gold plated

Unless otherwise specified, other tolerance are:

X ±0.35	X* ±5'	NAME: <b>SIM Card Connector</b>
X.X ±0.25	X.X* ±4'	
X.XX ±0.15	X.XX* ±3'	
X.XXX ±0.10	X.XXX* ±2'	

**MUP** MUP INDUSTRIAL CO.,LTD.

MODEL NO: **MUP-C732-3**

TYPE: **H2.60 with Post 8p**

PROJ.	UNIT	SCALE	DRAWN	DWG NO.:
①	mm	1:1	huabo 5/10-17'	DWG-MUP-C732-003
CUSTOMER DRAWING			CHECKED	SHEET
			WANG 5/10-17'	1/1
			APPROVAL	REVISION
				X2



## X-ON Electronics

Largest Supplier of Electrical and Electronic Components

*Click to view similar products for [Memory Card Connectors](#) category:*

*Click to view products by [Murata](#) manufacturer:*

Other Similar products are found below :

[M21-033321-005](#) [6407-249V-25273P](#) [6407-249V-25343P](#) [69.920.0553.0](#) [MCR60A-98D-2.54DSA\(70\)](#) [809180410000000](#) [DM3AT-SF-PEJM5\(41\)](#) [IC11S-BUR-PNEJL\(71\)](#) [252-0144-000](#) [2041353-2](#) [308-DS1P0811-192](#) [HM2P09PDR360N9LF](#) [10014744-011TLF](#) [11327-001](#) [11327-002](#) [617230001](#) [NX1-32T-KT3K\(05\)](#) [N7E50-U516RB-50-SIN0005](#) [68-580163-21S](#) [CCM03-3109 B LFT](#) [2309923-1](#) [61126-050CAHLF](#) [IC1GA-68PD-1.27DS-EJ\(72\)](#) [GTFP08432B1HR](#) [SCE2MSDZN76A121SN](#) [10014744-011ALF](#) [10014744-011LF](#) [10057542-1211FLF](#) [10067972-000LF](#) [10067972-050LF](#) [10122302-20110LF](#) [G85D1162022HHR](#) [MUP-C7809-1](#) [NANO SIM 7P H1.37](#) [MICRO SIM 7P H1.35](#) [TF-CARD H1.8 SY](#) [MICRO SIM 6P H1.35](#) [TF-CARD H1.8](#) [TF-115Y-BCP9](#) [TF-115YY-ACP9](#) [SMN-309-ARP6](#) [TF-115Y-ACP9](#) [TF-108-ARP10](#) [SMN-303S-ACP7](#) [SNO-14100](#) [SD-112S](#) [MUP-C7804-1](#) [KH-TF-07DT](#) [MICRO SIM 6+1P H1.5](#) [NANO SIM TL6P H1.35](#)