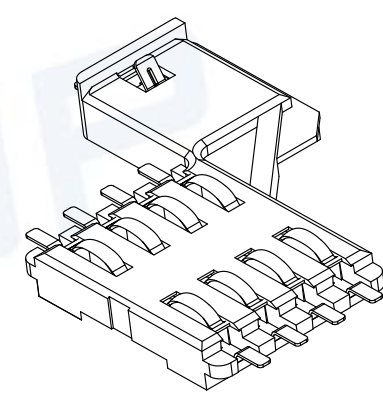
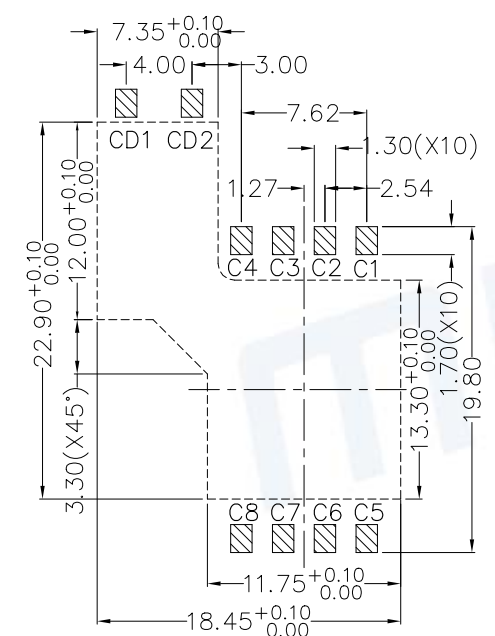
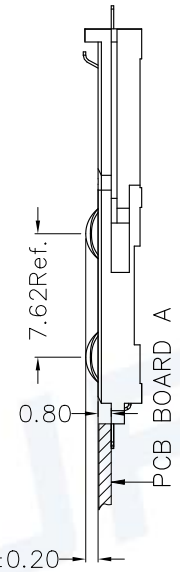
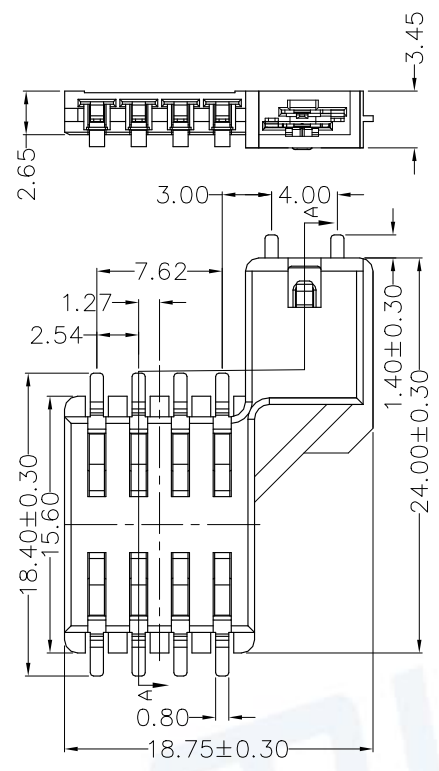


REV.	DESCRIPTION OF REVISIONS	APPR.	DRAW.	RELEASE	DATE
X1					
X2					

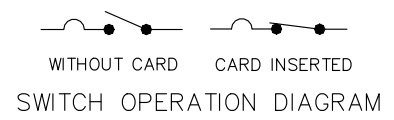


PCB LAYOUT REFERENCE PCB BOARD A(frontispiece)  
COMPONENT SIDE(TOLERANCE ±0.05)

TECHNICAL CHARACTERISTICS

- General Characteristics  
Dimensions: 24.00LX18.75WX2.65H mm  
Weight: Approx0.88±0.2g  
Durability: 50,000 cycles min.
- Electrical Characteristics  
Contact resistance: 50mΩ typical,100mΩ max  
Insulation resistance: >1000MΩ/500V DC
- Solderability  
IR reflow: 260°C,10sec.Max  
Manual soldering: 370°C,3sec.Max
- Environmental Characteristics  
Operating temperature: -40°C~+85°C  
Operating humidity: 10%~+95%RH

ELECTRIC FUNCTION	DETECT SWITCH
WITHOUT CARD	OPEN
CARD INSERTED	CLOSED



ITEM	PART NAME	QTY	MATERIAL	FINISH
1	BASE	1	Thermoplastic	Black UL94V-0
2	DATA CONTACT	8	Copper Alloy	Contact area:Gold plated
3	SWITCH CONTACT 2	1	Copper Alloy	Contact area:Gold plated
4	SWITCH CONTACT 1	1	Copper Alloy	Contact area:Gold plated

Unless otherwise specified, other tolerance are:  
 **MUP INDUSTRIAL CO.,LTD.**

X ±0.35	X* ±5°	NAME:	<b>Smart Card Connector</b>	
X.X ±0.25	X.X* ±4°	MODEL NO:	<b>MUP-C737-2</b>	
X.XX ±0.15	X.XX* ±3°	TYPE :	<b>H2.65mm(Mid-SMT)</b>	
X.XXX ±0.10	X.XXX* ±2°	PROJ.	Simon Feb.19.2014	DWG NO.:
UNIT	SCALE	CHECKED	Jimmy Feb.19.2014	DWG-MUP-C737-002
MM	1:1	APPROVAL	Simon Feb.19.2014	SHEET
CUSTOMER DRAWING				1/1
				REVISION
				X1



## X-ON Electronics

Largest Supplier of Electrical and Electronic Components

*Click to view similar products for [Memory Card Connectors](#) category:*

*Click to view products by [Murata](#) manufacturer:*

Other Similar products are found below :

[M21-033321-005](#) [6407-249V-25273P](#) [6407-249V-25343P](#) [69.920.0553.0](#) [MCR60A-98D-2.54DSA\(70\)](#) [809180410000000](#) [DM3AT-SF-PEJM5\(41\)](#) [IC11S-BUR-PNEJL\(71\)](#) [252-0144-000](#) [2041353-2](#) [308-DS1P0811-192](#) [HM2P09PDR360N9LF](#) [10014744-011TLF](#) [11327-001](#) [11327-002](#) [617230001](#) [NX1-32T-KT3K\(05\)](#) [N7E50-U516RB-50-SIN0005](#) [68-580163-21S](#) [CCM03-3109 B LFT](#) [2309923-1](#) [61126-050CAHLF](#) [IC1GA-68PD-1.27DS-EJ\(72\)](#) [GTFP08432B1HR](#) [SCE2MSDZN76A121SN](#) [10014744-011ALF](#) [10014744-011LF](#) [10057542-1211FLF](#) [10067972-000LF](#) [10067972-050LF](#) [10122302-20110LF](#) [G85D1162022HHR](#) [MUP-C7809-1](#) [NANO SIM 7P H1.37](#) [MICRO SIM 7P H1.35](#) [TF-CARD H1.8 SY](#) [MICRO SIM 6P H1.35](#) [TF-CARD H1.8](#) [TF-115Y-BCP9](#) [TF-115YY-ACP9](#) [SMN-309-ARP6](#) [TF-115Y-ACP9](#) [TF-108-ARP10](#) [SMN-303S-ACP7](#) [SNO-14100](#) [SD-112S](#) [MUP-C7804-1](#) [KH-TF-07DT](#) [MICRO SIM 6+1P H1.5](#) [NANO SIM TL6P H1.35](#)