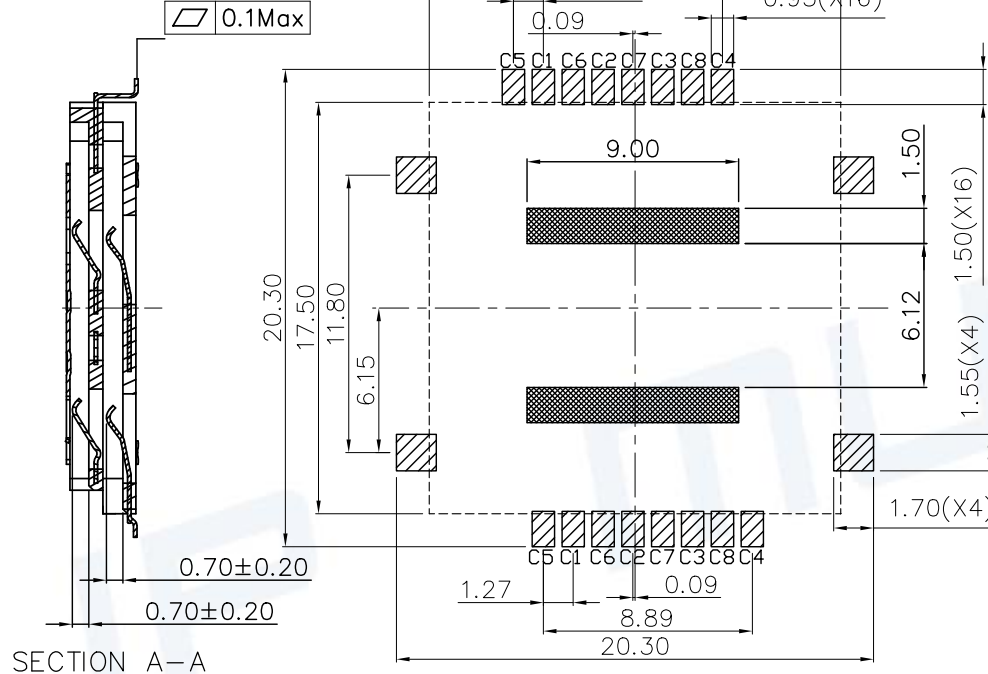
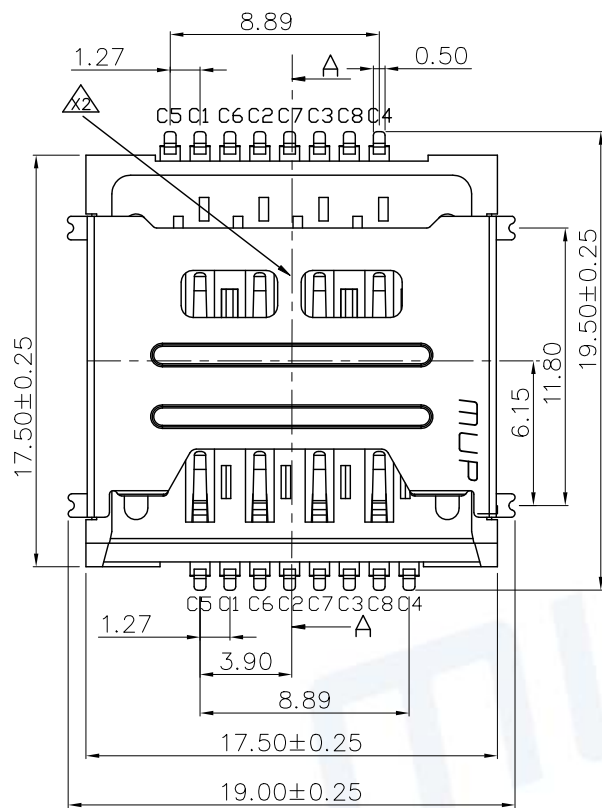
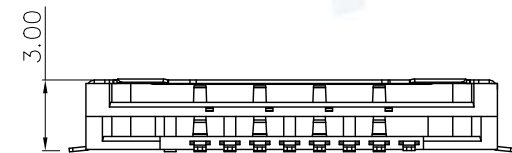


REV.	DESCRIPTION OF REVISIONS	APPR.	DRAW.	RELEASE	DATE
X1	新开	Wang	Jimmy		2009/03/10
X2	铁壳孔中间增加连桥	Wang	huabo		2020/10/10

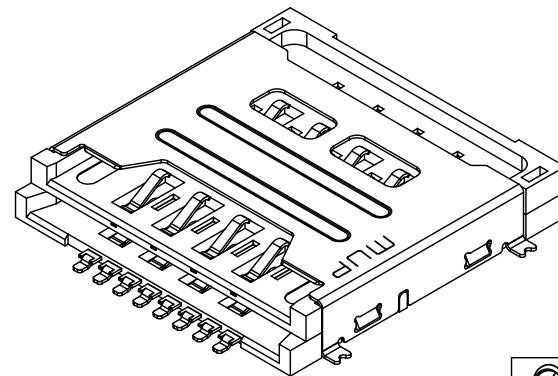


TECHNICAL CHARACTERISTICS

- General Characteristics**
Dimensions: 17.50LX17.50WX3.00H mm
Durability: 5,000 cycles min.
- Electrical Characteristics**
Contact resistance: 50mΩ typical, 100mΩ max
Insulation resistance: >1000MΩ/500V DC
- Solderability**
IR reflow: 250°C, 5sec. Max
Manual soldering: 370°C, 3sec. Max
- Environmental Characteristics**
Operating temperature: -40°C~+85°C
Operating humidity: 10%~+95%RH



Contact No.	Assignment	Description	Remark
C1	Vcc	Power Voltage	
C2	RST	Reset Signal	
C3	CLK	Clock Signal	
C4	RFU	Reserve for feature use	
C5	GND	Power and Signal Ground	
C6	Vpp	Programing Voltage	
C7	I/O	Serial Data input/output	
C8	RFU	Reserve for feature use	



RECOMMENDED P.C.B LAYOUT
COMPONENT SIDE(TOLERANCE ±0.05)

ITEM	PART NAME	Q'TY	MATERIAL	FINISH
1	BASE	2	Hi-temp Thermoplastic	Black UL94V-0
2	SHELL	1	Stainless steel	SMT area:Gold plated
3	DATA CONTACT	16	Copper Alloy	Contact area:Gold plated

Unless otherwise specified, other tolerance are:

X	±0.35	X'	±5'
X.X	±0.25	X.X'	±4'
X.XX	±0.15	X.XX'	±3'
X.XXX	±0.10	X.XXX'	±2'

MUP MUP INDUSTRIAL CO.,LTD.

NAME: **SIM Card Connector**

MODEL NO: **MUP-C746-1**

TYPE: **without post 8p**

PROJ.	UNIT	SCALE	DRAWN	DWG NO.:
①	mm	1:1	Zoey Mar.10.2009	MUP-C746-001
CUSTOMER DRAWING			CHECKED	SHEET
			Simon Mar.10.2009	1/1
			APPROVAL	REVISION
				X2



X-ON Electronics

Largest Supplier of Electrical and Electronic Components

Click to view similar products for [Memory Card Connectors](#) category:

Click to view products by [Murata](#) manufacturer:

Other Similar products are found below :

[M21-033321-005](#) [6407-249V-25273P](#) [6407-249V-25343P](#) [69.920.0553.0](#) [MCR60A-98D-2.54DSA\(70\)](#) [809180410000000](#) [DM3AT-SF-PEJM5\(41\)](#) [IC11S-BUR-PNEJL\(71\)](#) [252-0144-000](#) [2041353-2](#) [308-DS1P0811-192](#) [HM2P09PDR360N9LF](#) [10014744-011TLF](#) [11327-001](#) [11327-002](#) [617230001](#) [NX1-32T-KT3K\(05\)](#) [N7E50-U516RB-50-SIN0005](#) [68-580163-21S](#) [CCM03-3109 B LFT](#) [2309923-1](#) [61126-050CAHLF](#) [IC1GA-68PD-1.27DS-EJ\(72\)](#) [GTFP08432B1HR](#) [SCE2MSDZN76A121SN](#) [10014744-011ALF](#) [10014744-011LF](#) [10057542-1211FLF](#) [10067972-000LF](#) [10067972-050LF](#) [10122302-20110LF](#) [G85D1162022HHR](#) [MUP-C7809-1](#) [NANO SIM 7P H1.37](#) [MICRO SIM 7P H1.35](#) [TF-CARD H1.8 SY](#) [MICRO SIM 6P H1.35](#) [TF-CARD H1.8](#) [TF-115Y-BCP9](#) [TF-115YY-ACP9](#) [SMN-309-ARP6](#) [TF-115Y-ACP9](#) [TF-108-ARP10](#) [SMN-303S-ACP7](#) [SNO-14100](#) [SD-112S](#) [MUP-C7804-1](#) [KH-TF-07DT](#) [MICRO SIM 6+1P H1.5](#) [NANO SIM TL6P H1.35](#)