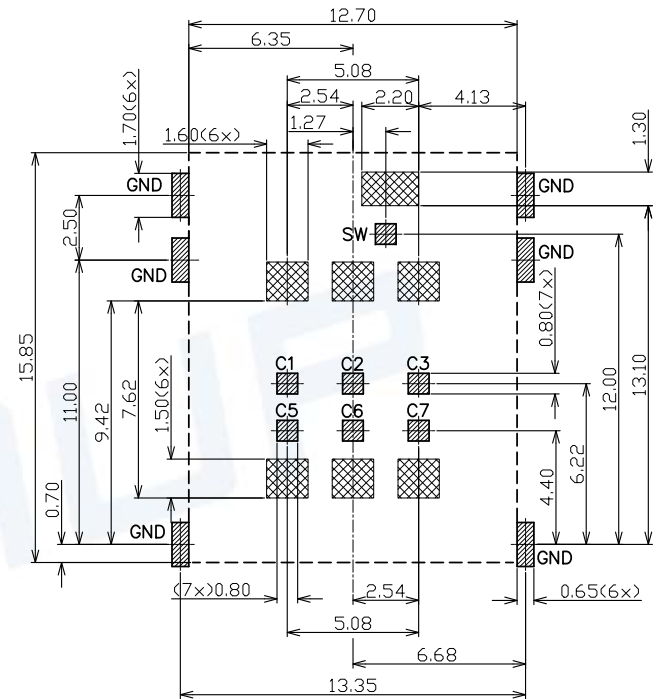
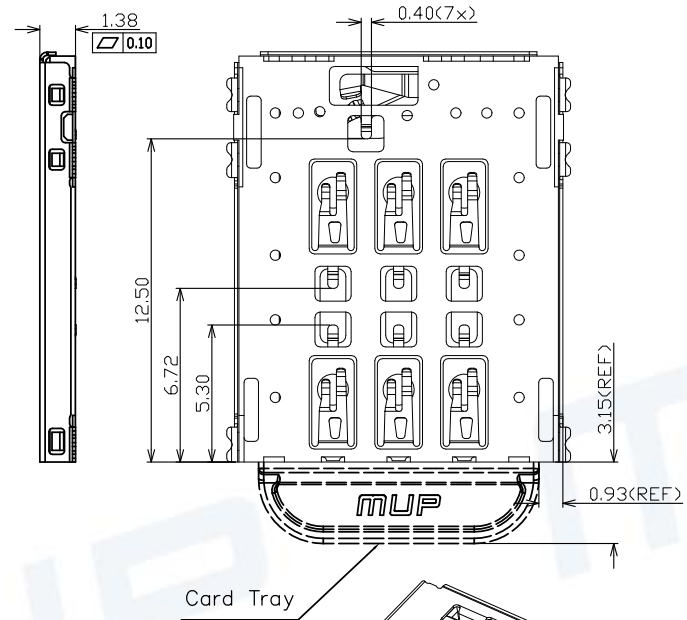
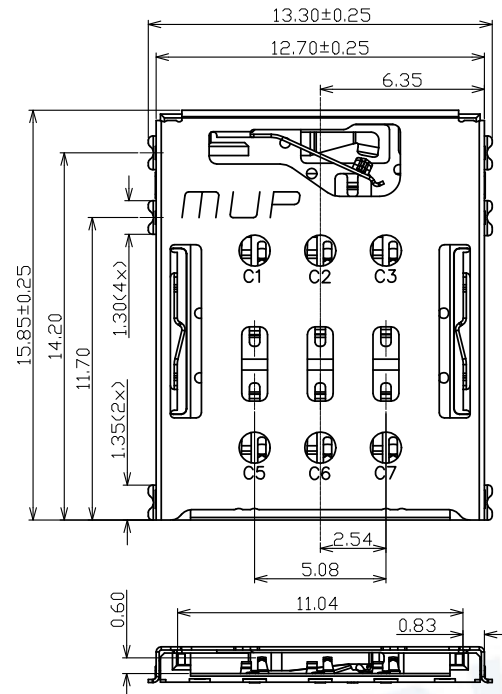


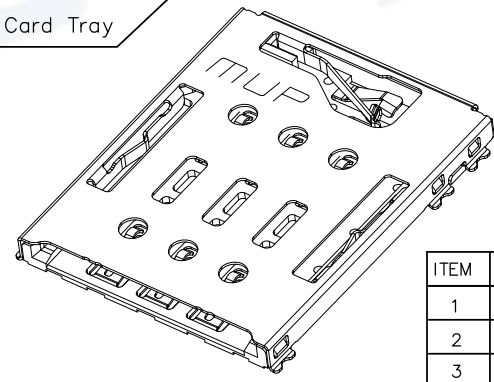
REV.	DESCRIPTION OF REVISIONS	APPR.	DRAW.	RELEASE	DATE
X1	NEW REVISION				Apr.14.2018
X2					



TECHNICAL CHARACTERISTICS

1.General Characteristics
 Dimensions:12.85LX17.20WX1.38H mm
 TRAY MATING FORCE:2~10N
 TRAY UNMATING FORCE:2~10N
 Durability:1,500 cycles min.
 2.Electrical Characteristics
 Contact resistance:50mΩ typical,
 150mΩMax
 Insulation resistance:>1000M/500V DC
 3.Solderability
 Vaporphase:215°C, 30sec.Max
 IR reflow:260°C,5sec.Max
 Manual soldering:370°C.3sec.Max
 4.Environmental Characteristics
 Operating temperature:-40°C~+85°C
 Operating humidity:10%~+95%RH

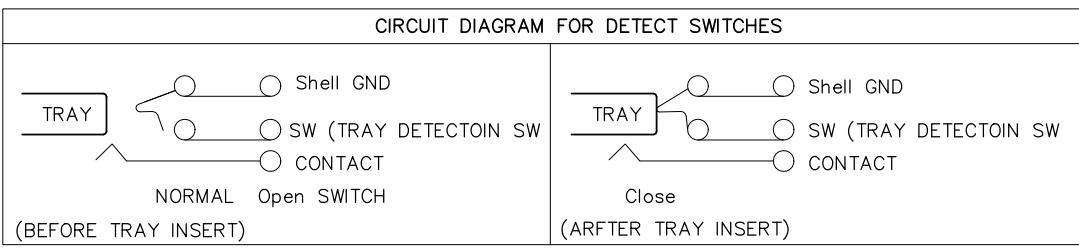
NANO SIM CARD	
Pin No.	ASSIGNMENT
C1	VCC(SUPPLY VOLTAGE)
C2	RST(RESET SIGNAL)
C3	CLK(CLOCK SIGNAL)
SW	DETECTION SWITCH
GND	GND
C5	GND
C6	VPP(VARIABLE SUPPLY VOLTAGE)
C7	I/O(DATA INPUT/OUTPUT)



RECOMMENDED P.C.B LAYOUT
 COMPONENT SIDE(TOLERANCE ±0.05)

PAD AREA
 CONNECTOR OUTLINE
 NO PATTERN AND VIA HOLE IN THIS AREA

ITEM	PART NAME	Q'TY	MATERIAL	FINISH
1	HOUSING	1	Hi-temp Thermoplastic	Black UL94V-0
2	DATA CONTACT	6	Copper Alloy	Contact area:Gold plated
3	SWITCH	1	Copper Alloy	Contact area:Gold plated
4	SHELL	1	Stainless Steel	Solder area:Gold plated



Unless otherwise specified, other tolerance are:

X ±0.35	X* ±5°
X.X ±0.25	X.X* ±4°
X.XX ±0.15	X.XX* ±3°
X.XXX ±0.10	X.XXX* ±2°

MUP MUP INDUSTRIAL CO.,LTD.

NAME: **SINGLE NANO-SIM Card Connector**
 MODEL NO: **MUP-C7803-1**
 TYPE: **H1.38mm Normally Open with Card Tray type**

PROJ.	UNIT	SCALE	DRAWN	DWG NO.:
Henry Ou.04.2018	mm	1:1	Henry Ou.04.2018	DWG-MUP-C7803-1
CHECKED	APPROVAL		SHEET	REVISION
Simon 04.2018	Simon 04.2018		1/1	X1

CUSTOMER DRAWING



X-ON Electronics

Largest Supplier of Electrical and Electronic Components

Click to view similar products for [Memory Card Connectors](#) category:

Click to view products by [Murata](#) manufacturer:

Other Similar products are found below :

[M21-033321-005](#) [6407-249V-25273P](#) [6407-249V-25343P](#) [6426-201-21343](#) [69.920.0553.0](#) [MCR60A-98D-2.54DSA\(70\)](#) [809180410000000](#)
[DM3AT-SF-PEJM5\(41\)](#) [IC11S-BUR-PNEJL\(71\)](#) [252-0144-000](#) [2041353-2](#) [308-DS1P0811-192](#) [HM2P09PDR360N9LF](#) [10014744-011TLF](#)
[11327-001](#) [11327-002](#) [617230001](#) [NX1-32T-KT3K\(05\)](#) [N7E50-U516RB-50-SIN0005](#) [68-580163-21S](#) [125A-78C00](#) [CCM03-3109 B LFT](#)
[2309923-1](#) [61126-050CAHLF](#) [IC1GA-68PD-1.27DS-EJ\(72\)](#) [GTFP08432B1HR](#) [SCE2MSDZN76A121SN](#) [10014744-011ALF](#) [10014744-](#)
[011LF](#) [10057542-1211FLF](#) [10067972-000LF](#) [10067972-050LF](#) [10122302-20110LF](#) [G85D1162022HHR](#) [MUP-C7809-1](#) [NANO SIM 7P](#)
[H1.37](#) [MICRO SIM 7P H1.35](#) [TF-CARD H1.8 SY](#) [MICRO SIM 6P H1.35](#) [TF-CARD H1.8](#) [TF-115Y-BCP9](#) [TF-115YY-ACP9](#) [SMN-309-](#)
[ARP6](#) [TF-115Y-ACP9](#) [TF-108-ARP10](#) [SMN-303S-ACP7](#) [SNO-14100](#) [SD-112S](#) [MUP-C7804-1](#) [KH-TF-07DT](#)