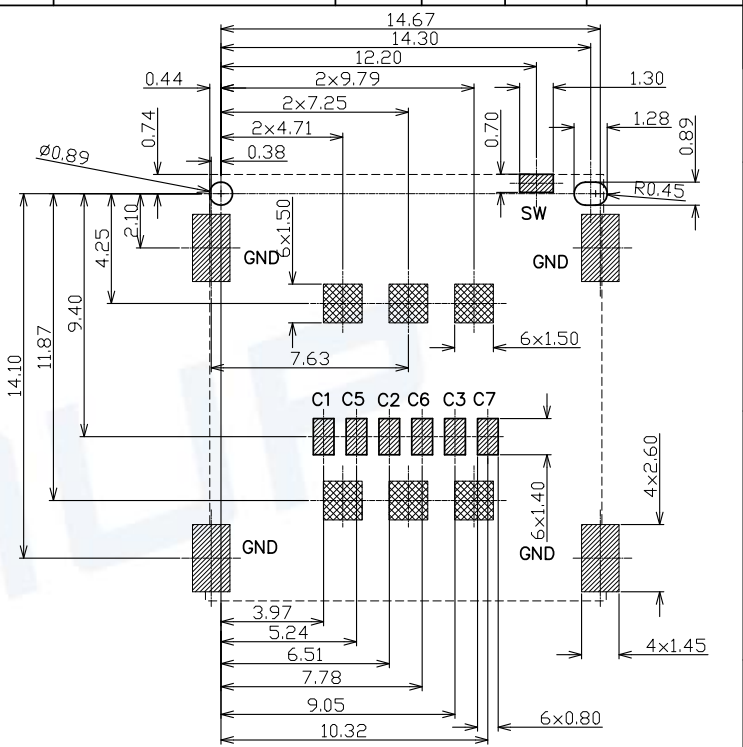
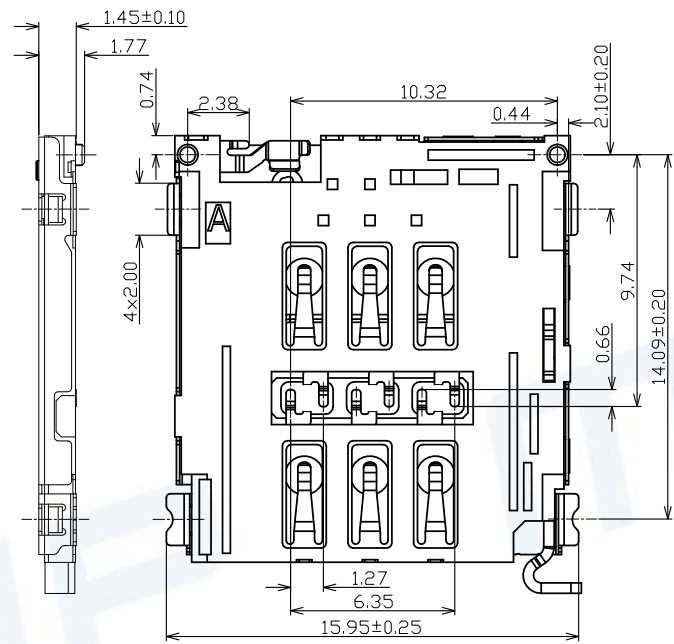
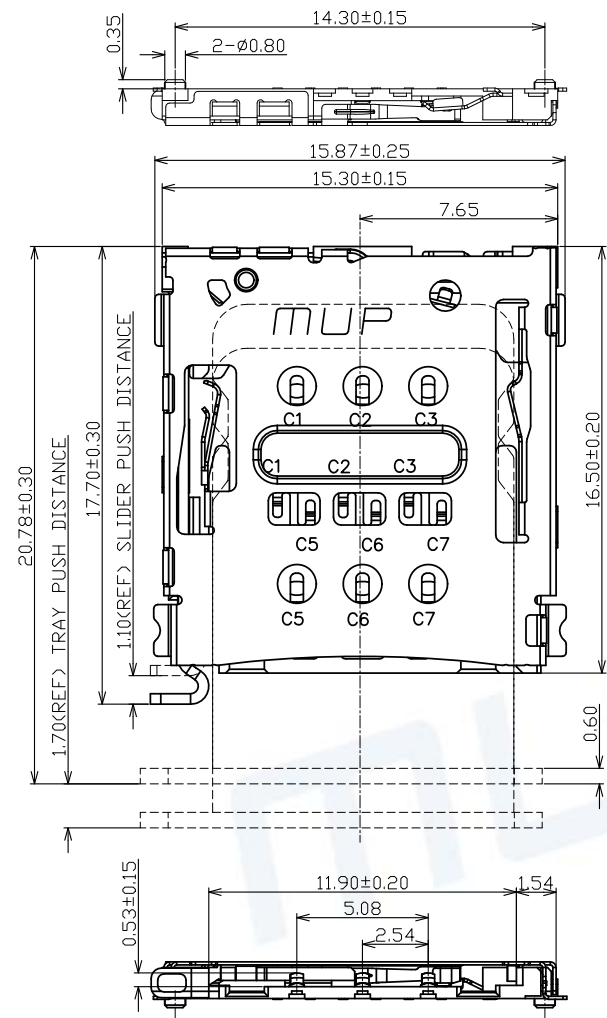


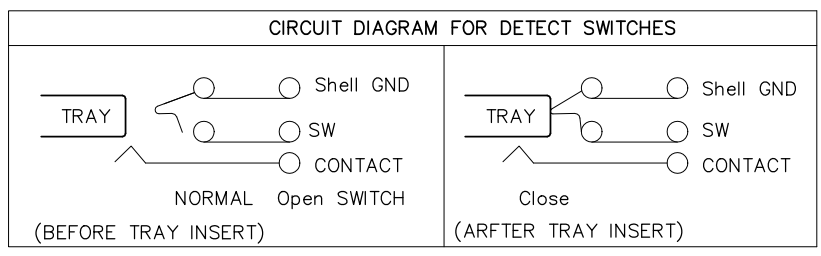
REV.	DESCRIPTION OF REVISIONS	APPR.	DRAW.	RELEASE	DATE
X1	NEW REVISION				Henry Mar.12.2019
X2					



TECHNICAL CHARACTERISTICS
 1.General Characteristics
 Dimensions:16.50LX15.30WX1.55H mm
 TRAY MATING FORCE:1~10N
 TRAY UNMATING FORCE:1~10N
 Durability:1,500 cycles min.
 2.Electrical Characteristics
 Contact resistance:50mΩ typical, 100mΩMax
 Insulation resistance:>1000M/500V DC
 3.Solderability
 Vaporphase:215°C, 30sec.Max
 IR reflow:260°C,5sec.Max
 Manual soldering:370°C,3sec.Max
 4.Environmental Characteristics
 Operating temperature:-40°C~+85°C
 Operating humidity:10%~+95%RH

PAD AREA RECOMMENDED P.C.B LAYOUT COMPONENT SIDE(TOLERANCE ±0.05)
 CONNECTOR OUTLINE
 NO PATTERN AND VIA HOLE IN THIS AREA

NANO SIM CARD	
Pin No.	ASSIGNMENT
C1	VCC
C2	RST
C3	CLK
C5	GND
C6	VPP
C7	I/O



ITEM	PART NAME	Q'TY	MATERIAL	FINISH
1	HOUSING	1	Hi-temp Thermoplastic	Black UL94V-0
2	DATA CONTACT	6	Copper Alloy	Contact area:Gold plated
3	SWITCH	1	Copper Alloy	Contact area:Gold plated
4	SHELL	1	Stainless Steel	Solder area:Gold plated
5	Lever	1	Stainless Steel	
6	Cam	1	Stainless Steel	

Unless otherwise specified, other tolerance are:

MUP MUP INDUSTRIAL CO.,LTD.

X ±0.35	X* ±5°	NAME: SINGLE NANO-SIM Card Connector
X.X ±0.25	X.X* ±4°	MODEL NO: MUP-C7804-1
X.XX ±0.15	X.XX* ±3°	TYPE: H1.45mm Normally Open With Card Tray type
X.XXX ±0.10	X.XXX* ±2°	
PROJ.	UNIT mm	SCALE 1:1
DRAWN Henry Mar.12.2019		DWG NO.: DWG-MUP-C7804-1
CHECKED Henry Mar.12.2019		SHEET 1/1
APPROVAL Simon Mar.12.2019		REVISION X1



X-ON Electronics

Largest Supplier of Electrical and Electronic Components

Click to view similar products for [Memory Card Connectors](#) category:

Click to view products by [Murata](#) manufacturer:

Other Similar products are found below :

[M21-033321-005](#) [6407-249V-25273P](#) [6407-249V-25343P](#) [6426-201-21343](#) [69.920.0553.0](#) [MCR60A-98D-2.54DSA\(70\)](#) [809180410000000](#)
[DM3AT-SF-PEJM5\(41\)](#) [IC11S-BUR-PNEJL\(71\)](#) [252-0144-000](#) [2041353-2](#) [308-DS1P0811-192](#) [HM2P09PDR360N9LF](#) [10014744-011TLF](#)
[11327-001](#) [11327-002](#) [617230001](#) [NX1-32T-KT3K\(05\)](#) [N7E50-U516RB-50-SIN0005](#) [68-580163-21S](#) [125A-78C00](#) [CCM03-3109 B LFT](#)
[2309923-1](#) [61126-050CAHLF](#) [IC1GA-68PD-1.27DS-EJ\(72\)](#) [GTFP08432B1HR](#) [SCE2MSDZN76A121SN](#) [10014744-011ALF](#) [10014744-](#)
[011LF](#) [10057542-1211FLF](#) [10067972-000LF](#) [10067972-050LF](#) [10122302-20110LF](#) [G85D1162022HHR](#) [MUP-C7809-1](#) [NANO SIM 7P](#)
[H1.37](#) [MICRO SIM 7P H1.35](#) [TF-CARD H1.8 SY](#) [MICRO SIM 6P H1.35](#) [TF-CARD H1.8](#) [TF-115Y-BCP9](#) [TF-115YY-ACP9](#) [SMN-309-](#)
[ARP6](#) [TF-115Y-ACP9](#) [TF-108-ARP10](#) [SMN-303S-ACP7](#) [SNO-14100](#) [SD-112S](#) [MUP-C7804-1](#) [KH-TF-07DT](#)