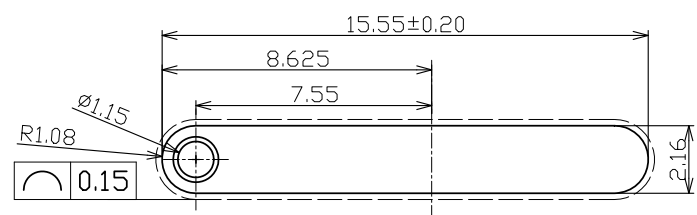
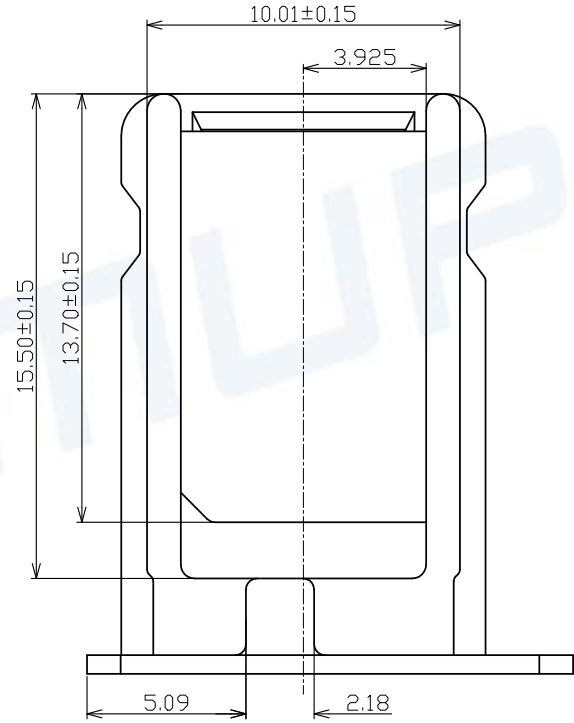
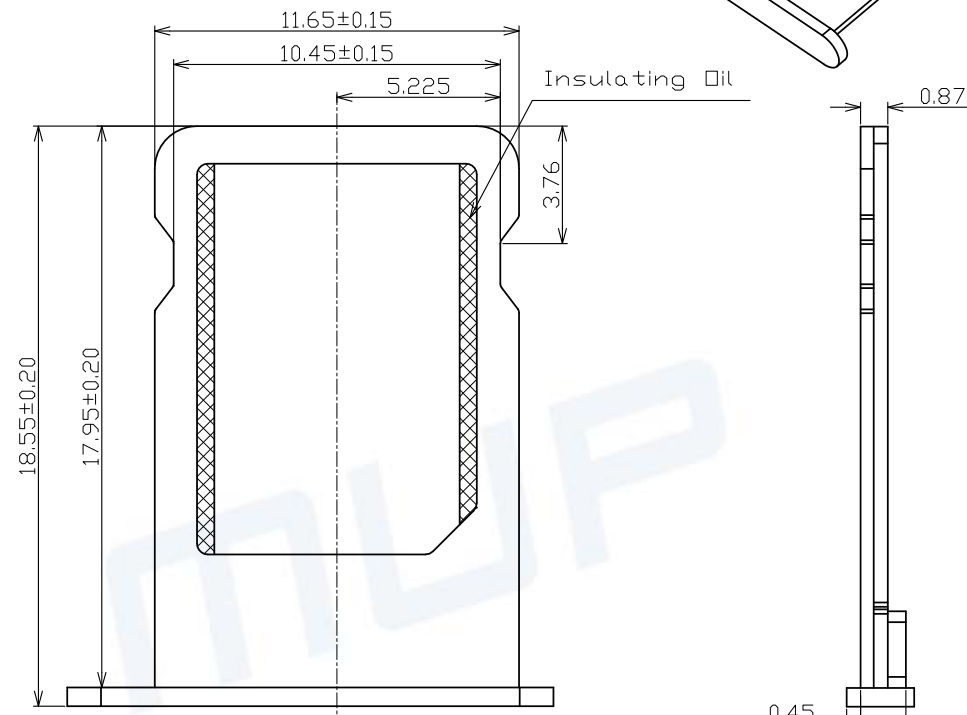
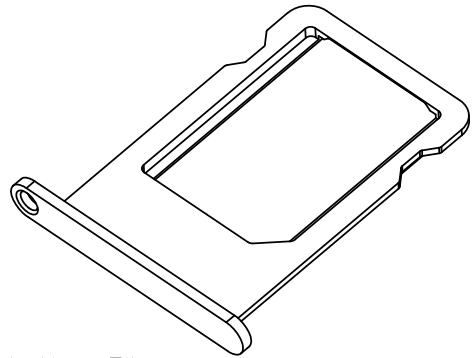


REV.	DESCRIPTION OF REVISIONS	APPR.	DRAW.	RELEASE	DATE



No.	Part Name	Colour
1	C7804-31A	Black
2	C7804-32A	Silvery white

ITEM	PART NAME	Q'TY	MATERIAL	FINISH
1	METAL BODY	1	STAINLESS STEEL	PVD/Electrophoresis
2		1		

Unless otherwise specified, other tolerance are:

**MUP** MUP INDUSTRIAL CO.,LTD.

X ±0.35	X* ±5*	NAME:	<b>SIM CARD TRAY</b>	
X.X ±0.25	X.X* ±4*	MODEL NO.:	<b>MUP-C7804-31A&amp;32A</b>	
X.XX ±0.15	X.XX* ±3*	TYPE :	<b>With Cap of the card tray</b>	
X.XXX ±0.10	X.XXX* ±2*	PROJ.	UNIT	SCALE
PROJ.	UNIT	mm	1:1	DRAWN
CUSTOMER DRAWING	CHECKED	APPROVAL	DWG NO.:	DWG-MUP-C7804-31A
			SHEET	REVISION
			1/1	X1

NOTE:  
 1.Powder Metallurgy Material: Stainless Steel (e.g. 17-4PH F)  
 2.Finish: PVD/Electrophoresis  
 3.Appearance is not Acceptable: Corrosion,Poor Coating ,Scratches, Warping Sharp Edges(saw burrs),Bumps,Poor Plating, Stains  
 4.Surface needs to be Done to Deal with Passivation  
 5.Unless Otherwise 0.10mm Round;  
 6.Please Contact PROMAX Sales Representative to Verify Product Details.



## X-ON Electronics

Largest Supplier of Electrical and Electronic Components

*Click to view similar products for [Memory Card Connectors](#) category:*

*Click to view products by [Murata](#) manufacturer:*

Other Similar products are found below :

[M21-033321-005](#) [6407-249V-25273P](#) [6407-249V-25343P](#) [69.920.0553.0](#) [MCR60A-98D-2.54DSA\(70\)](#) [809180410000000](#) [DM3AT-SF-PEJM5\(41\)](#) [IC11S-BUR-PNEJL\(71\)](#) [252-0144-000](#) [2041353-2](#) [308-DS1P0811-192](#) [HM2P09PDR360N9LF](#) [10014744-011TLF](#) [11327-001](#) [11327-002](#) [617230001](#) [NX1-32T-KT3K\(05\)](#) [N7E50-U516RB-50-SIN0005](#) [68-580163-21S](#) [CCM03-3109 B LFT](#) [2309923-1](#) [61126-050CAHLF](#) [IC1GA-68PD-1.27DS-EJ\(72\)](#) [GTFP08432B1HR](#) [SCE2MSDZN76A121SN](#) [10014744-011ALF](#) [10014744-011LF](#) [10057542-1211FLF](#) [10067972-000LF](#) [10067972-050LF](#) [10122302-20110LF](#) [G85D1162022HHR](#) [MUP-C7809-1](#) [NANO SIM 7P H1.37](#) [MICRO SIM 7P H1.35](#) [TF-CARD H1.8 SY](#) [MICRO SIM 6P H1.35](#) [TF-CARD H1.8](#) [TF-115Y-BCP9](#) [TF-115YY-ACP9](#) [SMN-309-ARP6](#) [TF-115Y-ACP9](#) [TF-108-ARP10](#) [SMN-303S-ACP7](#) [SNO-14100](#) [SD-112S](#) [MUP-C7804-1](#) [KH-TF-07DT](#) [MICRO SIM 6+1P H1.5](#) [NANO SIM TL6P H1.35](#)