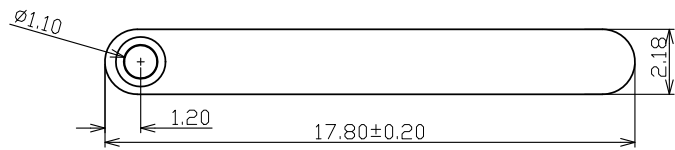
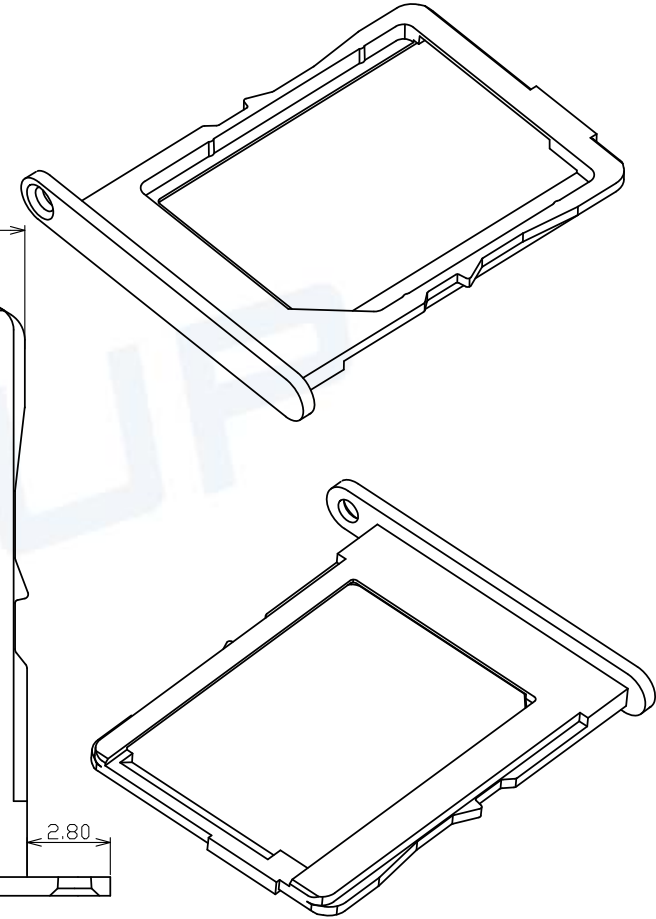
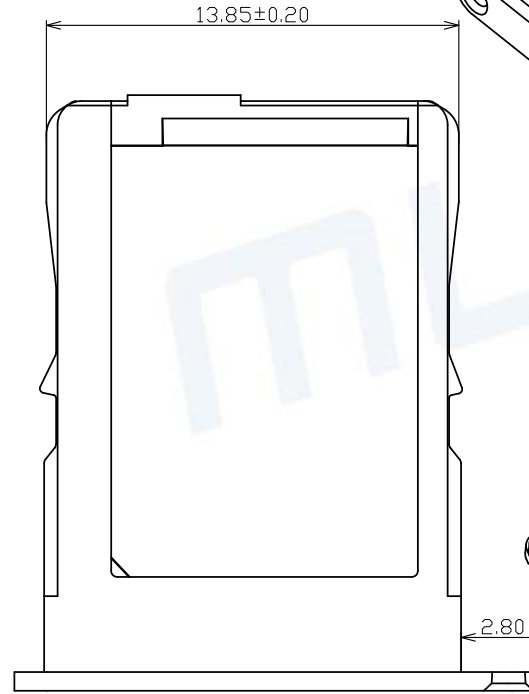
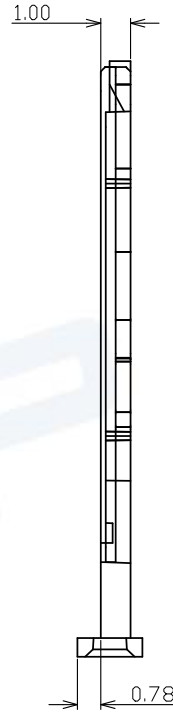
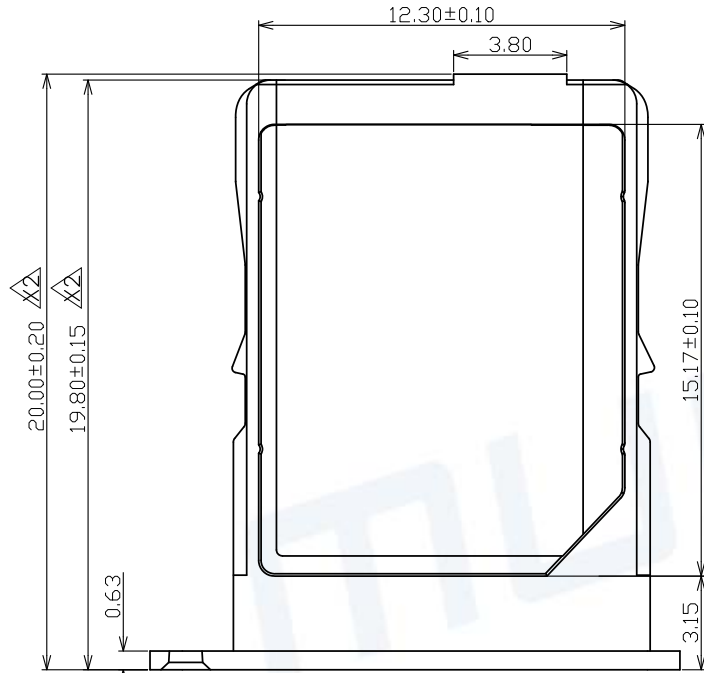
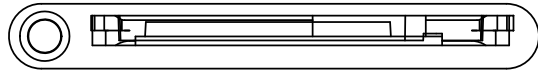


REV.	DESCRIPTION OF REVISIONS	APPR.	DRAW.	RELEASE	DATE
X1	NEW REVISION				Apr.14.2018
X2	Change DIM				Jun.05.2021



No.	Part Name	Colour
1	C7902-31A	Black
2	C7902-32A	Silvery white

NOTE:
 1.Powder Metallurgy Material: Stainless Steel /kirsite
 2.Finish: PVD/Electrophoresis
 3.Appearance is not Acceptable: Corrosion,Poor Coating ,Scratches, Warping Sharp Edges(saw burrs),Bumps,Poor Plating, Stains
 4.Surface needs to be Done to Deal with Passivation
 5.Unless otherwise 0.10mm Round;
 6.Please Contact PROMAX Sales Representative to Verify Product Details.

ITEM	PART NAME	Q'TY	MATERIAL	FINISH
1	METAL SHEET	1	STAINLESS STEEL	PVD/Electrophoresis
Unless otherwise specified, other tolerance are:				
X	±0.35	X*	±5*	
X.X	±0.25	X.X*	±4*	
X.XX	±0.15	X.XX*	±3*	
X.XXX	±0.10	X.XXX*	±2*	
PROJ.		UNIT	SCALE	
DRAWN		mm	1:1	
CHECKED		CUSTOMER DRAWING		
APPROVAL				

MUP MUP INDUSTRIAL CO.,LTD.			
NAME:	Micro SIM CARD TRAY		
MODEL NO:	MUP-C7902-31A&32A		
TYPE :	With card cover		
DRAWN	Henry Ou.04.2018	DWG NO.:	DWG-MUP-C7902-31A
CHECKED	Henry Ou.04.2018	SHEET	1/1
APPROVAL	Simon 04.2018	REVISION	X1



X-ON Electronics

Largest Supplier of Electrical and Electronic Components

Click to view similar products for [Memory Card Connectors](#) category:

Click to view products by [Murata](#) manufacturer:

Other Similar products are found below :

[M21-033321-005](#) [6407-249V-25273P](#) [6407-249V-25343P](#) [69.920.0553.0](#) [MCR60A-98D-2.54DSA\(70\)](#) [809180410000000](#) [DM3AT-SF-PEJM5\(41\)](#) [IC11S-BUR-PNEJL\(71\)](#) [252-0144-000](#) [2041353-2](#) [308-DS1P0811-192](#) [HM2P09PDR360N9LF](#) [10014744-011TLF](#) [11327-001](#) [11327-002](#) [617230001](#) [NX1-32T-KT3K\(05\)](#) [N7E50-U516RB-50-SIN0005](#) [68-580163-21S](#) [CCM03-3109 B LFT](#) [2309923-1](#) [61126-050CAHLF](#) [IC1GA-68PD-1.27DS-EJ\(72\)](#) [GTFP08432B1HR](#) [SCE2MSDZN76A121SN](#) [10014744-011ALF](#) [10014744-011LF](#) [10057542-1211FLF](#) [10067972-000LF](#) [10067972-050LF](#) [10122302-20110LF](#) [G85D1162022HHR](#) [MUP-C7809-1](#) [NANO SIM 7P H1.37](#) [MICRO SIM 7P H1.35](#) [TF-CARD H1.8 SY](#) [MICRO SIM 6P H1.35](#) [TF-CARD H1.8](#) [TF-115Y-BCP9](#) [TF-115YY-ACP9](#) [SMN-309-ARP6](#) [TF-115Y-ACP9](#) [TF-108-ARP10](#) [SMN-303S-ACP7](#) [SNO-14100](#) [SD-112S](#) [MUP-C7804-1](#) [KH-TF-07DT](#) [MICRO SIM 6+1P H1.5](#) [NANO SIM TL6P H1.35](#)