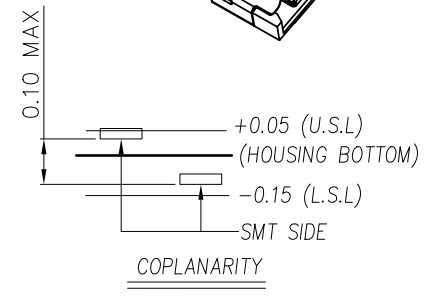
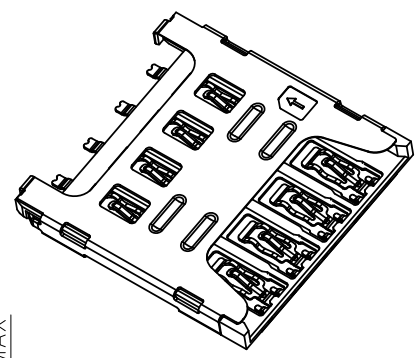
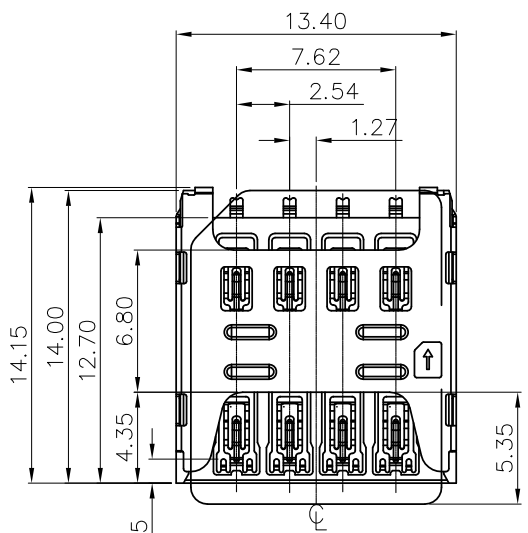
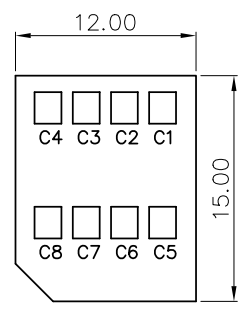
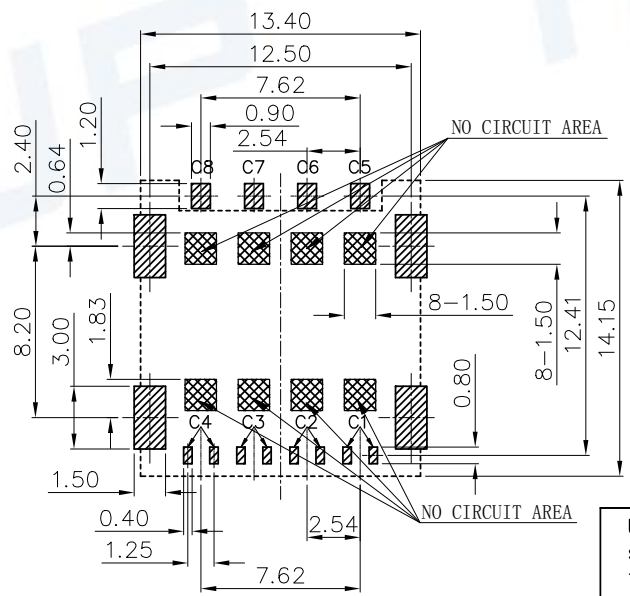
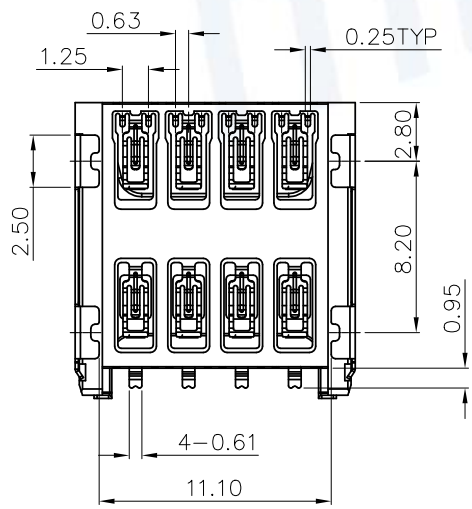
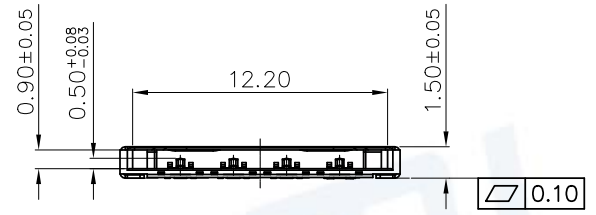


REV.	DESCRIPTION OF REVISIONS	APPR.	DRAW.	RELEASE	DATE
X1					



NOTES:

- ELECTRICAL CHARACTERISTICS
 - CONTACT RESISTANCE: 60 Milliohms Max
 - INSULATION RESISTANCE: 1,000 Megohms Min.
 - VOLTAGE RATING: 50V.
 - CURRENT RATING: 1.0A.
- MECHANICAL CHARACTERISTICS
 - OPERATION TEMPERATURE RANGE: -20°C~+85°C
 - DURABILITY: 3000 CYCLES
- MATERIAL:
 - HOUSING: THERMOPLASTIC,UL 94-V0
 - TERMINAL: PHOSPHOR BRONZE,T=0.12
 - SHELL: STAINLESS STEEL,T=0.15
- FINISHED:
 - TERMINAL: Ni PLATED UNDER, 1U" Au MIN PLATED ON CONTACT AREA,G/F PLATED ON SOLDER TAIL
 - SHELL: Ni PLATED UNDER,G/F PLATED ON SOLDER TAIL



PIN No.	DESCRIPTION
C1	VCC (SUPPLY VOLTAGE)
C2	RST (RESET SIGNAL)
C3	CLK (CLOCK SIGNAL)
C4	RESERVED
C5	GND
C6	VPP (VARIABLE SUPPLY VOLTAGE)
C7	I/O (DATA INPUT/OUTPUT)
C8	RESERVED

RECOMMENDED PCB LAYOUT (Top View)
GENERAL TOLERANCE ±0.05

Unless otherwise specified, other tolerance are:

X	±0.35	X'	±5'
X.X	±0.25	X.X'	±4'
X.XX	±0.15	X.XX'	±3'
X.XXX	±0.10	X.XXX'	±2'

MUP MUP INDUSTRIAL CO.,LTD.

NAME: MICRO SIM CARD CONNECTOR
MODEL NO: MUP-C7903-51A
TYPE: H1.5 SMT TYPE

PROJ.	UNIT	SCALE	DRAWN	HUABO 10/8-16'	DWG NO.:
	mm	1:1	CHECKED	HUABO 10/8-16'	DWG-MUP-C7903-001
CUSTOMER DRAWING			APPROVAL	Wang 10/8-16'	SHEET
					REVISION
					X1



X-ON Electronics

Largest Supplier of Electrical and Electronic Components

Click to view similar products for [Memory Card Connectors](#) category:

Click to view products by [Murata](#) manufacturer:

Other Similar products are found below :

[M21-033321-005](#) [6407-249V-25273P](#) [6407-249V-25343P](#) [6426-201-21343](#) [69.920.0553.0](#) [MCR60A-98D-2.54DSA\(70\)](#) [809180410000000](#)
[DM3AT-SF-PEJM5\(41\)](#) [IC11S-BUR-PNEJL\(71\)](#) [252-0144-000](#) [2041353-2](#) [308-DS1P0811-192](#) [HM2P09PDR360N9LF](#) [10014744-011TLF](#)
[11327-001](#) [11327-002](#) [617230001](#) [NX1-32T-KT3K\(05\)](#) [N7E50-U516RB-50-SIN0005](#) [68-580163-21S](#) [125A-78C00](#) [CCM03-3109 B LFT](#)
[2309923-1](#) [61126-050CAHLF](#) [IC1GA-68PD-1.27DS-EJ\(72\)](#) [GTFP08432B1HR](#) [SCE2MSDZN76A121SN](#) [10014744-011ALF](#) [10014744-](#)
[011LF](#) [10057542-1211FLF](#) [10067972-000LF](#) [10067972-050LF](#) [10122302-20110LF](#) [G85D1162022HHR](#) [MUP-C7809-1](#) [NANO SIM 7P](#)
[H1.37](#) [MICRO SIM 7P H1.35](#) [TF-CARD H1.8 SY](#) [MICRO SIM 6P H1.35](#) [TF-CARD H1.8](#) [TF-115Y-BCP9](#) [TF-115YY-ACP9](#) [SMN-309-](#)
[ARP6](#) [TF-115Y-ACP9](#) [TF-108-ARP10](#) [SMN-303S-ACP7](#) [SNO-14100](#) [SD-112S](#) [MUP-C7804-1](#) [KH-TF-07DT](#)