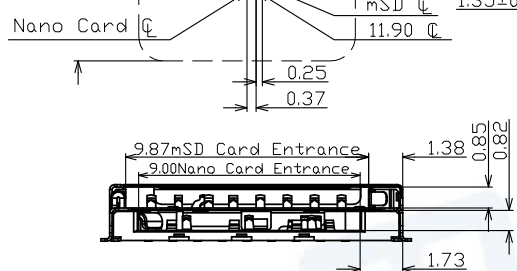
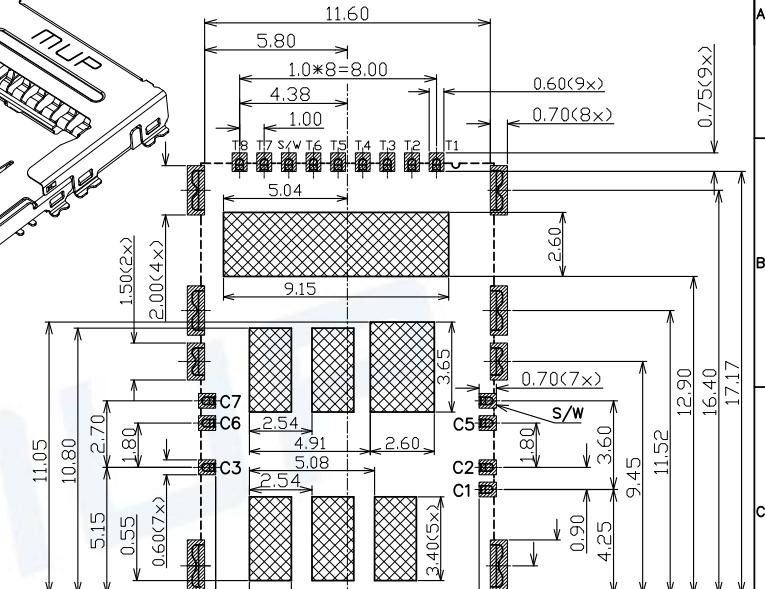
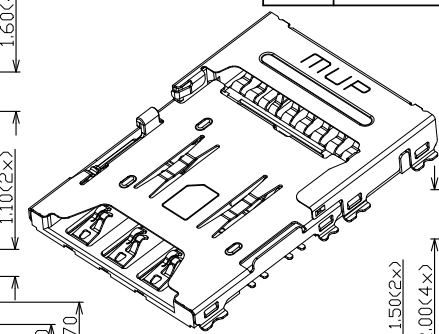
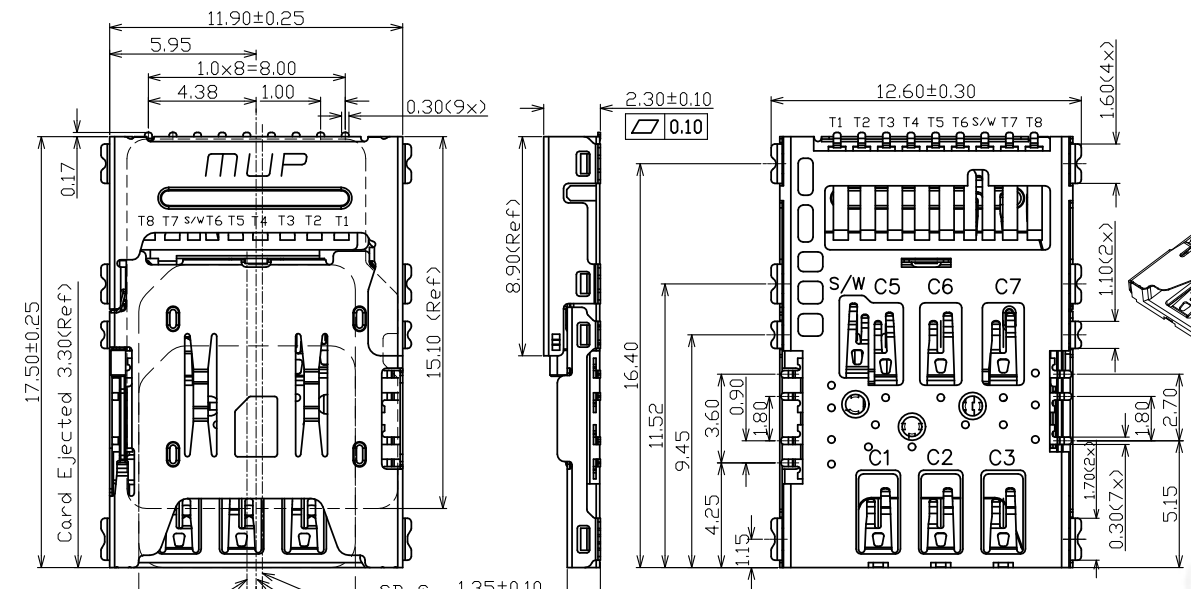


REV.	DESCRIPTION OF REVISIONS	APPR.	DRAW.	RELEASE	DATE
X1	NEW REVISION				Jun.08.2020
X2					



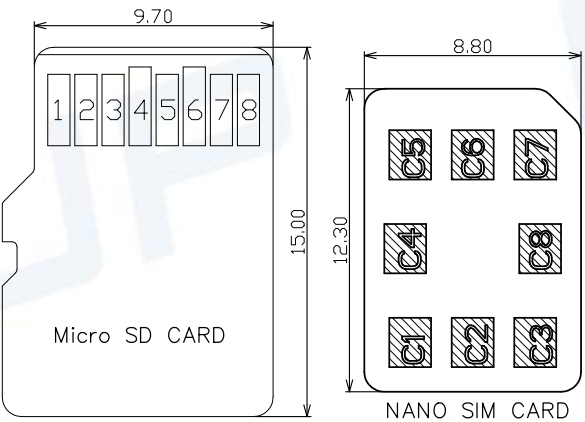
MICRO SD CARD		PIN No.	ASSIGNMENT
PIN No.	ASSIGNMENT	5	CLK
1	DAT2	6	VSS(GND)
2	CD/DAT3	7	DAT0
3	CMD	8	DAT1
4	VDD	s/w	CARD DETECTION

CIRCUIT DIAGRAM FOR DETECTION OF MICROSD CARD

ELECTRIC FUNCTION	DETECT SWITCH	CIRCUIT MICROSD T6PIN SWITCH PIN
WITHOUT CARD	OPEN	
CARD INSERTED	CLOSED	

CIRCUIT DIAGRAM FOR DETECTION OF NANO SIM CARD

ELECTRIC FUNCTION	DETECT SWITCH	CIRCUIT NANO C5PIN SWITCH PIN
WITHOUT CARD	OPEN	
CARD INSERTED	CLOSED	



**TECHNICAL CHARACTERISTICS**  
 1.General Characteristics  
 Dimensions:17.50LX11.90WX2.30H mm  
 Weight: Approx 0.5g  
 Durability:3,000 cycles min.  
 2.Electrical Characteristics  
 Contact resistance:50mΩ typical, 100mΩMax  
 Insulation resistance:>1000m/500V DC  
 3.Solderability  
 Vaporphase:±215°C, 30sec.Max  
 IR reflow:260°C,5~10sec.Max  
 Manual soldering:370°C.3sec.Max  
 4.Environmental Characteristics  
 Operating temperature:-25°C~+85°C  
 Storage Temperature :-40°C~+85°C  
 Operating humidity:10%~+95%RH

NAND SIM CARD	
PIN No.	ASSIGNMENT
C1	VCC
C2	RST
C3	CLK
C5	GND
C6	VPP
C7	I/O
s/w	CARD DETECTION

RECOMMENDED P.C.B LAYOUT  
 COMPONENT SIDE(TOLERANCE ±0.05)

ITEM	PART NAME	Q'TY	MATERIAL	FINISH
1	HOUSING	1	Hi-temp Thermoplastic	Black UL94V-0
2	DATA CONTACT	14	Copper Alloy	Contact area:Gold plated
3	SWITCH	2	Copper Alloy	Contact area:Gold plated
4	SHELL	2	Stainless Steel	Solder area:Gold plated
5	PULLER	1	Stainless Steel	

Unless otherwise specified, other tolerance are:

X ±0.35	X* ±5°
X.X ±0.25	X.X* ±4°
X.XX ±0.15	X.XX* ±3°
X.XXX ±0.10	X.XXX* ±2°

**MUP MUP INDUSTRIAL CO.,LTD.**

NAME: **MICRO SD+NANO SIM Card Connector**  
 MODEL NO: **MUP-M6102-1**  
 TYPE : **MICRO SD+NANO SIM WITH S/W 2.30H PULLER TYPE**

PROJ.	UNIT	SCALE
	mm	1:1

CUSTOMER DRAWING

DRAWN	CHECKED	APPROVAL	DWG NO.:
Henry Aug.12.2019	Henry Aug.12.2019	Simon Aug.12.2019	DWG-MUP-M6102-1
			SHEET 1/1
			REVISION X1



## X-ON Electronics

Largest Supplier of Electrical and Electronic Components

*Click to view similar products for [Memory Card Connectors](#) category:*

*Click to view products by [Murata](#) manufacturer:*

Other Similar products are found below :

[M21-033321-005](#) [6407-249V-25273P](#) [6407-249V-25343P](#) [6426-201-21343](#) [69.920.0553.0](#) [MCR60A-98D-2.54DSA\(70\)](#) [809180410000000](#)  
[DM3AT-SF-PEJM5\(41\)](#) [IC11S-BUR-PNEJL\(71\)](#) [252-0144-000](#) [2041353-2](#) [308-DS1P0811-192](#) [HM2P09PDR360N9LF](#) [10014744-011TLF](#)  
[11327-001](#) [11327-002](#) [617230001](#) [NX1-32T-KT3K\(05\)](#) [N7E50-U516RB-50-SIN0005](#) [68-580163-21S](#) [125A-78C00](#) [CCM03-3109 B LFT](#)  
[2309923-1](#) [61126-050CAHLF](#) [IC1GA-68PD-1.27DS-EJ\(72\)](#) [GTFP08432B1HR](#) [SCE2MSDZN76A121SN](#) [10014744-011ALF](#) [10014744-](#)  
[011LF](#) [10057542-1211FLF](#) [10067972-000LF](#) [10067972-050LF](#) [10122302-20110LF](#) [G85D1162022HHR](#) [MUP-C7809-1](#) [NANO SIM 7P](#)  
[H1.37](#) [MICRO SIM 7P H1.35](#) [TF-CARD H1.8 SY](#) [MICRO SIM 6P H1.35](#) [TF-CARD H1.8](#) [TF-115Y-BCP9](#) [TF-115YY-ACP9](#) [SMN-309-](#)  
[ARP6](#) [TF-115Y-ACP9](#) [TF-108-ARP10](#) [SMN-303S-ACP7](#) [SNO-14100](#) [SD-112S](#) [MUP-C7804-1](#) [KH-TF-07DT](#)