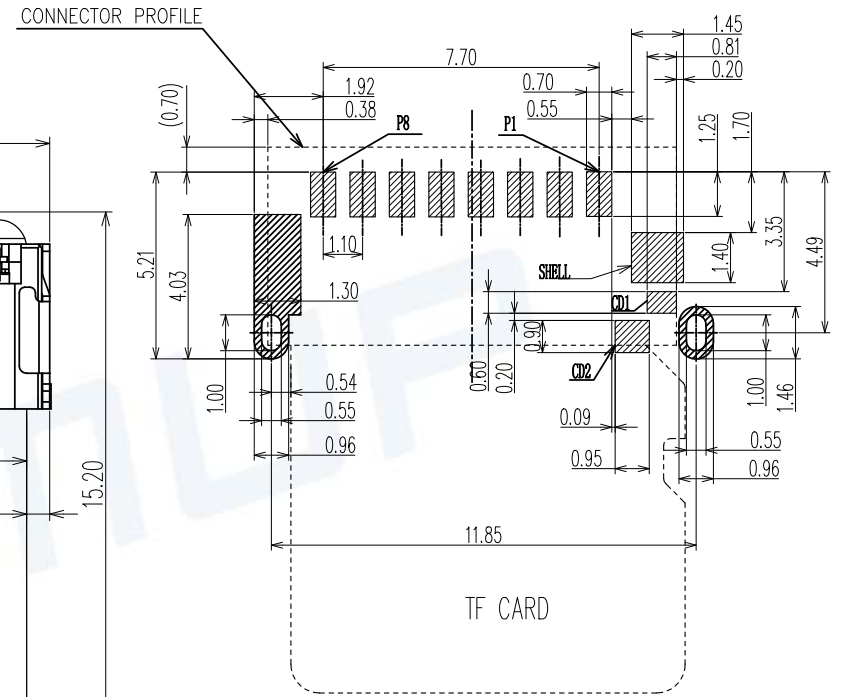
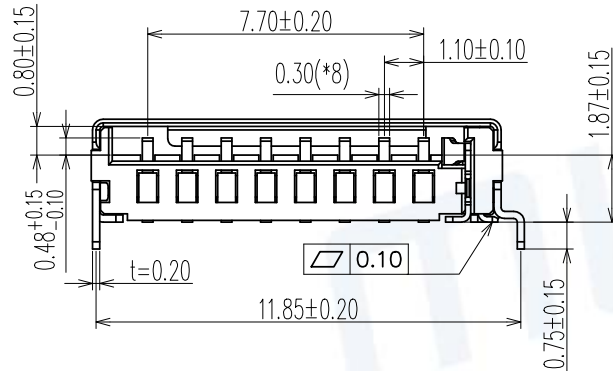
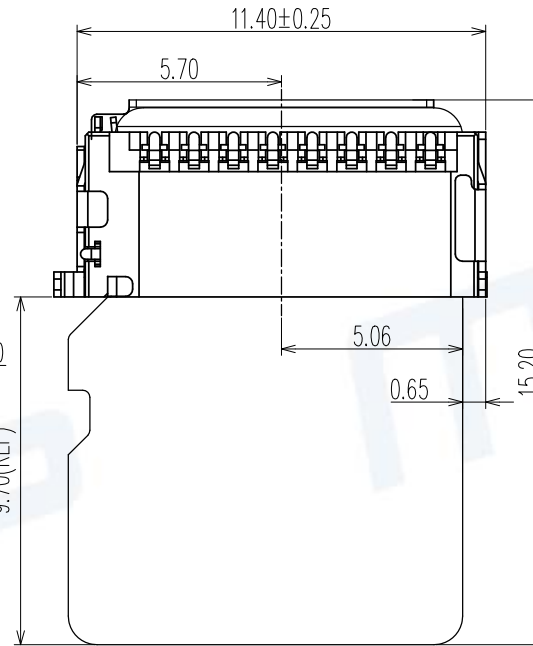
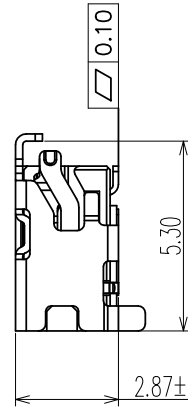
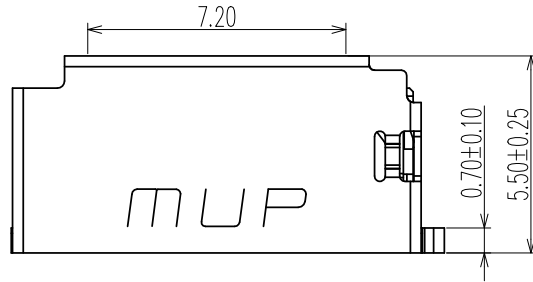
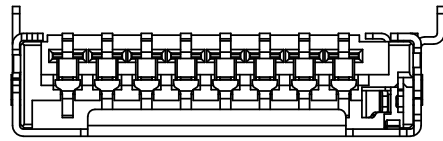
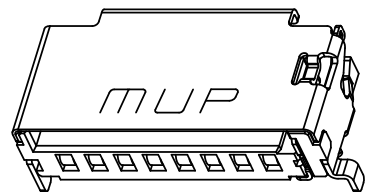


| REV. | DESCRIPTION OF REVISIONS | APPR. | DRAW. | RELEASE | DATE |
|------|--------------------------|-------|-------|---------|------|
| X1 | | | | | |
| X2 | | | | | |



RECOMMENDED P.C.B LAYOUT
COMPONENT SIDE(TOLERANCE ±0.05)



TECHNICAL CHARACTERISTICS

1.General Characteristics

Durability: 5000 cycles min.

2.Electrical Characteristics

Contact resistance: 50mΩ typical, 100mΩ max
Insulation resistance: >1000MΩ/500V DC

3.Solderability

Vapor phase: 215°C, 30sec. Max
IR reflow: 250°C, 5sec. Max
Manual soldering: 370°C, 3sec. Max

4.Environmental Characteristics

Operating temperature: -40°C~+85°C
Operating humidity: 10%~+95%RH

| ITEM | PART NAME | Q'TY | MATERIAL | FINISH |
|------|--------------|------|-----------------------|---------------------------|
| 1 | HOUSING | 1 | Hi-temp Thermoplastic | Black UL94V-0 |
| 2 | DATA CONTACT | 8 | Copper Alloy | Contact area: Gold plated |
| 3 | SHELL | 1 | Stainless Steel | Ni plated |
| 4 | DETECT 1 | 1 | Copper Alloy | Contact area: Gold plated |
| 5 | DETECT 2 | 1 | Copper Alloy | Contact area: Gold plated |

Unless otherwise specified, other tolerance are:

| | | | |
|-------|-------|--------|-----|
| X | ±0.35 | X' | ±5° |
| X.X | ±0.25 | X.X' | ±4° |
| X.XX | ±0.15 | X.XX' | ±3° |
| X.XXX | ±0.10 | X.XXX' | ±2° |

MUP®
MUP INDUSTRIAL CO.,LTD.

NAME: **T-Flash Card Connector**

MODEL NO: **MUP M617-2**

TYPE: **H2.8 Without post 8p**

| | | |
|-------|------|-------|
| PROJ. | UNIT | SCALE |
| ① | mm | 1:1 |

| | |
|----------|------------------|
| DRAWN | Zoey Mar.08.2017 |
| CHECKED | Zoey Mar.08.2017 |
| APPROVAL | Wang Mar.08.2017 |

| | |
|----------|------------------|
| DWG NO.: | DWG-MUP-M617-002 |
| SHEET | 1/1 |
| REVISION | X1 |



CUSTOMER DRAWING

X-ON Electronics

Largest Supplier of Electrical and Electronic Components

Click to view similar products for [Memory Card Connectors](#) category:

Click to view products by [Murata](#) manufacturer:

Other Similar products are found below :

[M21-033321-005](#) [6407-249V-25273P](#) [6407-249V-25343P](#) [6426-201-21343](#) [69.920.0553.0](#) [MCR60A-98D-2.54DSA\(70\)](#) [809180410000000](#)
[DM3AT-SF-PEJM5\(41\)](#) [IC11S-BUR-PNEJL\(71\)](#) [252-0144-000](#) [2041353-2](#) [308-DS1P0811-192](#) [HM2P09PDR360N9LF](#) [10014744-011TLF](#)
[11327-001](#) [11327-002](#) [617230001](#) [NX1-32T-KT3K\(05\)](#) [N7E50-U516RB-50-SIN0005](#) [68-580163-21S](#) [125A-78C00](#) [CCM03-3109 B LFT](#)
[2309923-1](#) [61126-050CAHLF](#) [IC1GA-68PD-1.27DS-EJ\(72\)](#) [GTFP08432B1HR](#) [SCE2MSDZN76A121SN](#) [10014744-011ALF](#) [10014744-](#)
[011LF](#) [10057542-1211FLF](#) [10067972-000LF](#) [10067972-050LF](#) [10122302-20110LF](#) [G85D1162022HHR](#) [MUP-C7809-1](#) [NANO SIM 7P](#)
[H1.37](#) [MICRO SIM 7P H1.35](#) [TF-CARD H1.8 SY](#) [MICRO SIM 6P H1.35](#) [TF-CARD H1.8](#) [TF-115Y-BCP9](#) [TF-115YY-ACP9](#) [SMN-309-](#)
[ARP6](#) [TF-115Y-ACP9](#) [TF-108-ARP10](#) [SMN-303S-ACP7](#) [SNO-14100](#) [SD-112S](#) [MUP-C7804-1](#) [KH-TF-07DT](#)