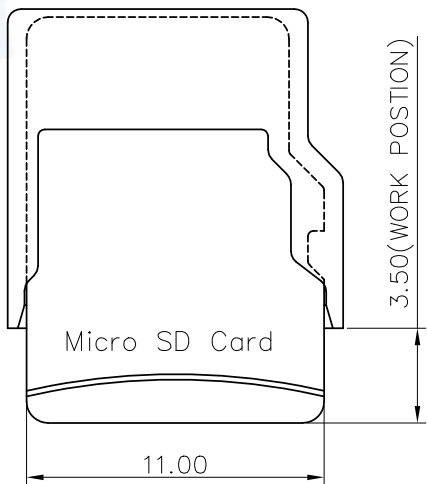
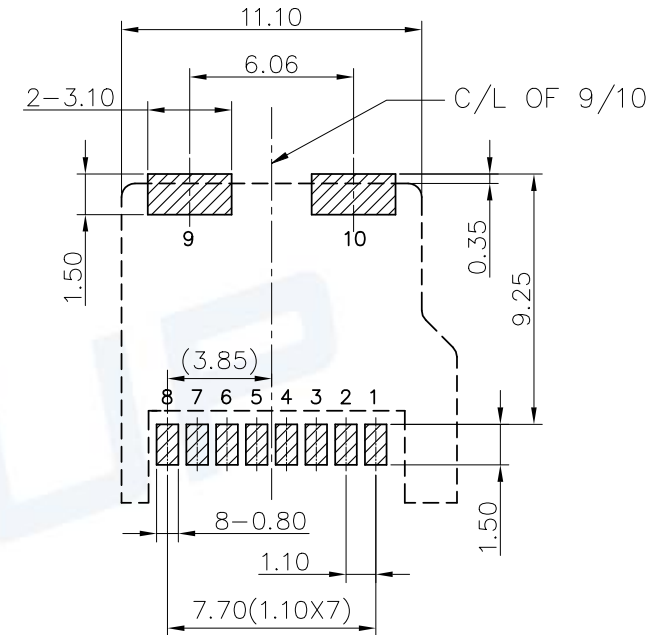
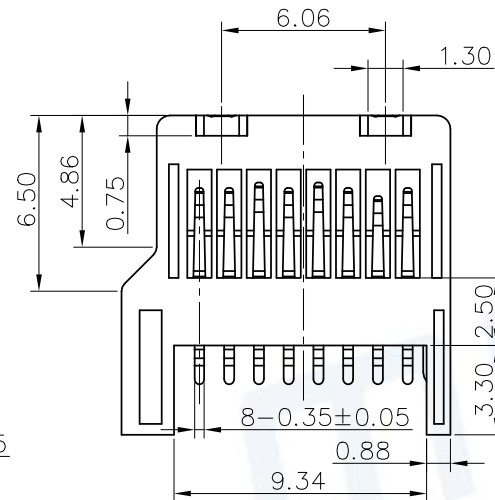
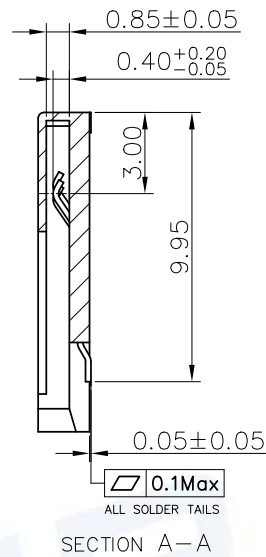
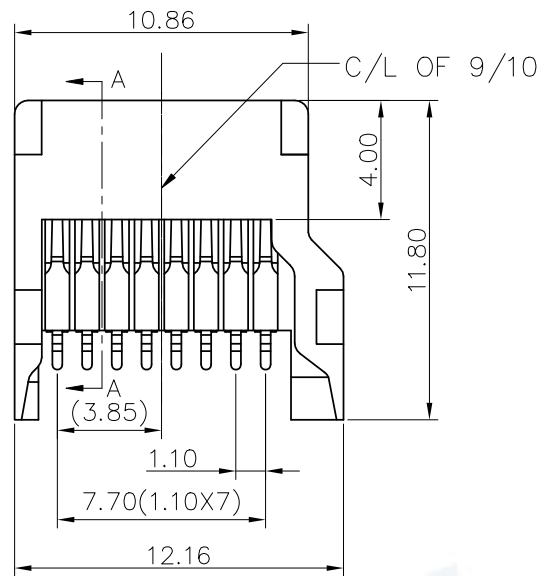


REV	DESCRIPTION OF REVISIONS	APPR	DRAW	RELEASE	DATE
X1	NEW PRODUCT		Seanw		2013.07.29



TECHNICAL CHARACTERISTICS

1.General Characteristics

Dimensions: 11.80LX12.40WX2.20H mm

Weight: Approx 0.70±0.5g

Durability: 5,000 cycles min.

2.Electrical Characteristics

Contact resistance: 50mΩ typical, 100mΩ max

Insulation resistance: >1000MΩ/500V DC

3.Solderability

Wave: 250°C, 5sec. Max

Manual soldering : 370°C, 3sec. Max

4.Environmental Characteristics

Operating temperature: -40°C~+85°C

Operating humidity : 10%~+95%RH

ITEM	PART NAME	Q'TY	MATERIAL	FINISH
1	BASE	1	LCP	LCP Black UL94V-0 GF
2	DATA CONTACT	8	Copper Alloy (C5210R-H)	Contact area:1 Gold plated
3	LATCH	2	Copper Alloy (C5210R-H)	Soldertails area:80 Tin plated

Unless otherwise specified, other tolerance are

X	±0.35	X'	±5'
X.X	±0.30	X.X'	±4'
X.XX	±0.20	X.XX'	±3'
X.XXX	±0.10	X.XXX'	±2'

MUP MUP INDUSTRIAL CO.,LTD.

NAME Micro SD Card Connector

MODEL NO: MUP M621-1

TYPE : H2.0 Without post&logo 8p

PROJ.	UNIT	SCALE	DRAWN	Zoey Sep.10.2010	DWG NO	DWG-MUP-M621-001
CUSTOMER DRAWING	MM	1:1	CHECKED	Jimmy Sep.10.2010	SHEET	1/1
			APPROVAL	Simon Sep.10.2010	REVISION	X1



X-ON Electronics

Largest Supplier of Electrical and Electronic Components

Click to view similar products for [Memory Card Connectors](#) category:

Click to view products by [Murata](#) manufacturer:

Other Similar products are found below :

[M21-033321-005](#) [6407-249V-25273P](#) [6407-249V-25343P](#) [6426-201-21343](#) [69.920.0553.0](#) [MCR60A-98D-2.54DSA\(70\)](#) [809180410000000](#)
[DM3AT-SF-PEJM5\(41\)](#) [IC11S-BUR-PNEJL\(71\)](#) [252-0144-000](#) [2041353-2](#) [308-DS1P0811-192](#) [HM2P09PDR360N9LF](#) [10014744-011TLF](#)
[11327-001](#) [11327-002](#) [617230001](#) [NX1-32T-KT3K\(05\)](#) [N7E50-U516RB-50-SIN0005](#) [68-580163-21S](#) [125A-78C00](#) [CCM03-3109 B LFT](#)
[2309923-1](#) [61126-050CAHLF](#) [IC1GA-68PD-1.27DS-EJ\(72\)](#) [GTFP08432B1HR](#) [SCE2MSDZN76A121SN](#) [10014744-011ALF](#) [10014744-](#)
[011LF](#) [10057542-1211FLF](#) [10067972-000LF](#) [10067972-050LF](#) [10122302-20110LF](#) [G85D1162022HHR](#) [MUP-C7809-1](#) [NANO SIM 7P](#)
[H1.37](#) [MICRO SIM 7P H1.35](#) [TF-CARD H1.8 SY](#) [MICRO SIM 6P H1.35](#) [TF-CARD H1.8](#) [TF-115Y-BCP9](#) [TF-115YY-ACP9](#) [SMN-309-](#)
[ARP6](#) [TF-115Y-ACP9](#) [TF-108-ARP10](#) [SMN-303S-ACP7](#) [SNO-14100](#) [SD-112S](#) [MUP-C7804-1](#) [KH-TF-07DT](#)