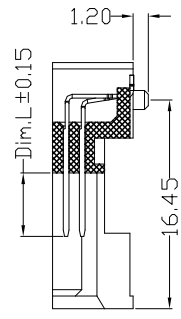
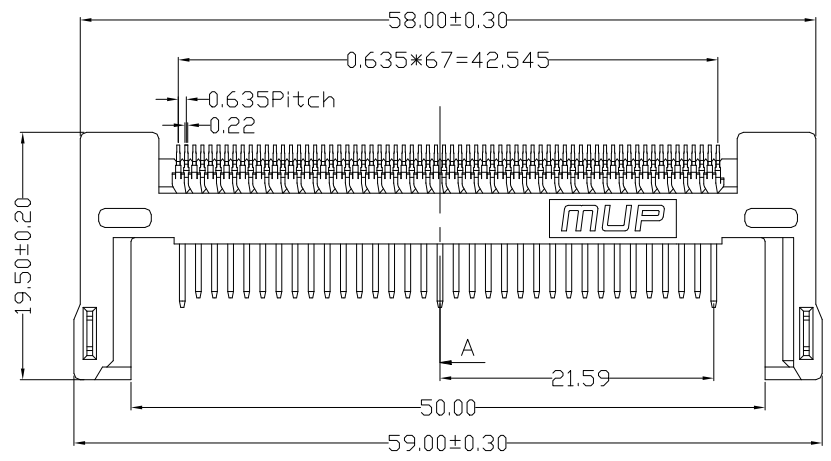


REV.	DESCRIPTION OF REVISIONS	APPR.	DRAW.	RELEASE	DATE



SECTION A-A

TECHNICAL CHARACTERISTICS

1.General Characteristics

Dimensions: 59.0LX19.50WX6.40H mm  
Weight: Approx: 4±0.5g

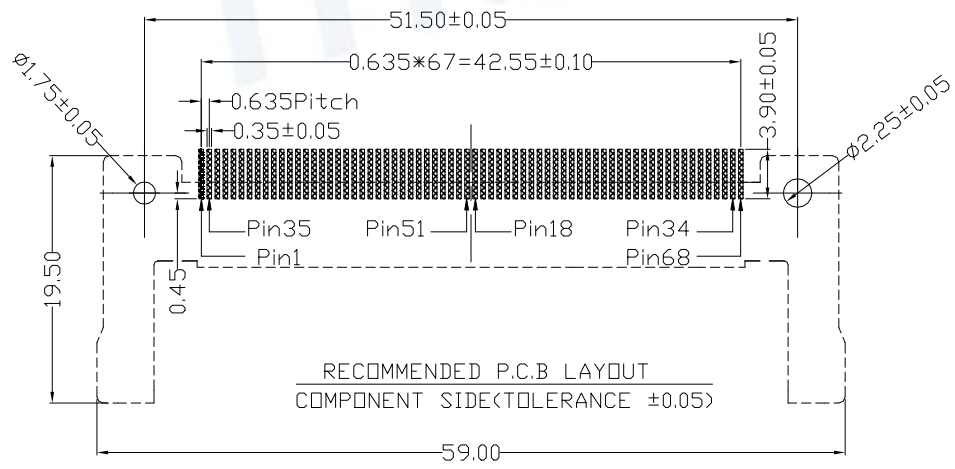
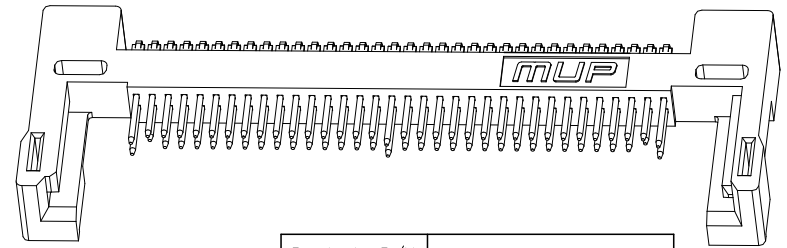
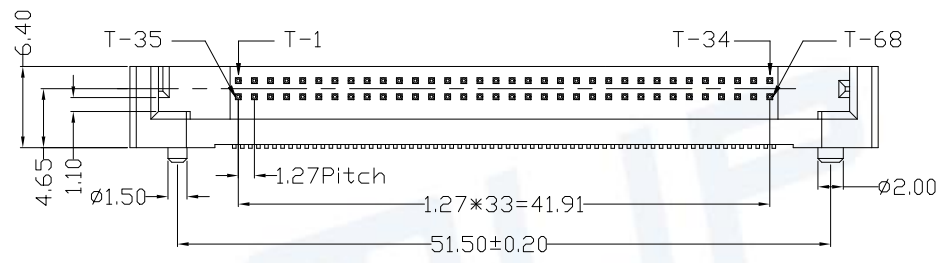
2.Electrical Characteristics

Current Rating: 0.5A AC DC  
Rated voltage: 5 V  
Contact resistance: 200mΩ max  
Insulation resistance: 1000MΩ min  
Withstanding voltage: 500 V AC rms 1min.

3.Environmental Characteristics

Operating temperature: -20°C~+60°C

Pin Type	Dim.L	Pin No
Detect	3.50mm	36.67
General	4.25mm	All other pins
Power	5.00mm	1.17.34.35.51.68



RECOMMENDED P.C.B LAYOUT  
COMPONENT SIDE(TOLERANCE ±0.05)

Products P/N	M6701-68641110-0011
--------------	---------------------

ITEM	PART NAME	Q'TY	MATERIAL	FINISH
1	BASE	1	Hi-temp Thermoplastic	Black UL94V-0
2	DATA CONTACT	68	Copper Alloy	Contact area: Nickel plated

Unless otherwise specified, other tolerance are:

**MUP** MUP INDUSTRIAL CO.,LTD.

X	±0.35	X*	±5*
X.X	±0.25	X.X*	±4*
X.XX	±0.15	X.XX*	±3*
X.XXX	±0.10	X.XXX*	±2*

NAME: **PCMCIA Connector**  
MODEL NO: **MUP-M6701-1 (68Pin)**  
TYPE :

PROJ.	UNIT	SCALE
⊕	mm	1:1

DRAWN	Jick	2018 06 21
CHECKED	Keey	2018 06 21
APPROVAL	Simon	2018 06 21

DWG NO.:	DWG-MUP-M6701-001
SHEET	1/1
REVISION	X1



CUSTOMER DRAWING

## X-ON Electronics

Largest Supplier of Electrical and Electronic Components

*Click to view similar products for [Standard Card Edge Connectors](#) category:*

*Click to view products by [Murata](#) manufacturer:*

Other Similar products are found below :

[CR7E-30DB-3.96E\(72\)](#) [6565204-6](#) [1437274-4](#) [EBT15622B2X](#) [EBT156-22R2W](#) [1-582587-1](#) [284-0102-12100](#) [286-0052-12101A](#)  
[306022901000000](#) [307-056-520-300](#) [A6D22DS29C2](#) [1926088-2](#) [245-062-520-350](#) [287-0032-12101](#) [306-028-525-102](#) [307-072-526-202](#) [345-](#)  
[060-559-303](#) [534671-1](#) [341-240-317](#) [345-044-500-300](#) [346-240-318](#) [395-100-524-300](#) [09-07-2032](#) [10035388-802LF](#) [10115859-011LF](#)  
[10122859-009LF](#) [101269333204245CLF](#) [530555-1](#) [66925-516LF](#) [5145409-2](#) [73726-0005](#) [66308-1](#) [5036A30](#) [PEC-07-02-T-S-A](#) [KSLX-62-](#)  
[BR](#) [CE100F26-7-C](#) [CE100F28-3-D](#) [CE100F28-4-D](#) [CE156F22-9-C](#) [CT100F24-3-D](#) [CT100F24-6-C](#) [MLSS100-12-C](#) [SCC100F-11-C](#)  
[SCC100F-20-C](#) [SCC100F-24-C](#) [SCC100F-25-C](#) [3-530656](#) [285-0112-12300](#) [346-068-556-300](#) [284-0492-11000](#)