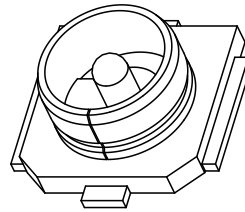
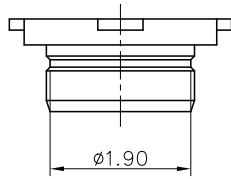
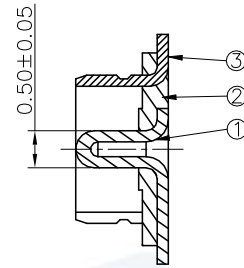
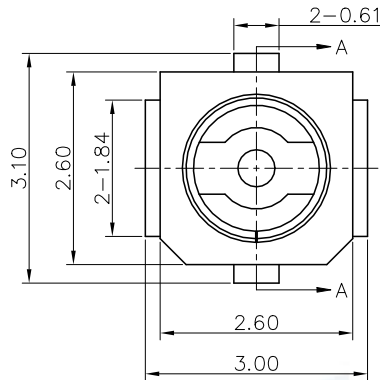


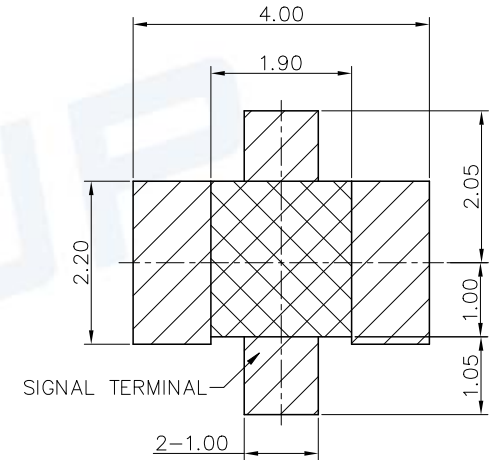
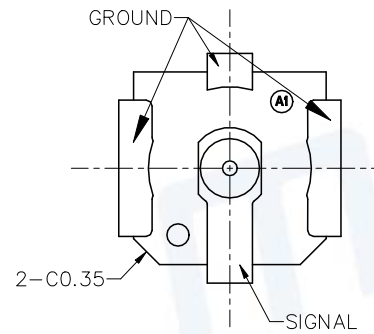
REV.	DESCRIPTION OF REVISIONS	APPR.	DRAW.	RELEASE	DATE
△	NEW RELEASE		DING		2022.07.15



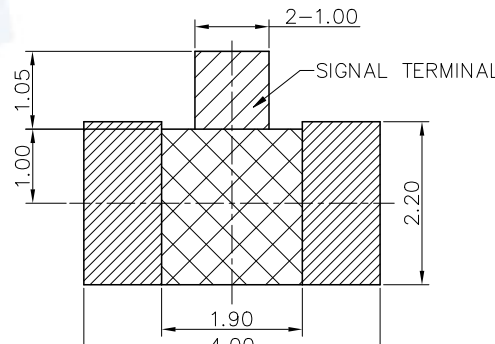
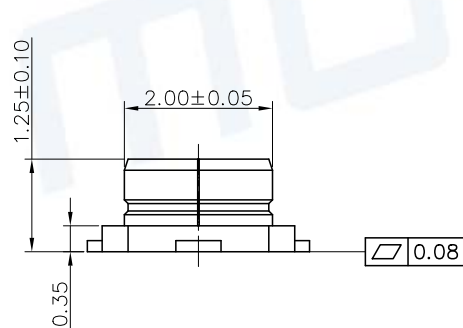
3D VIEW



SECTION: A-A



RECOMMENDED P.C.B. LAYOUT FOR 4 PAD (TOLERANCE ±0.05)



RECOMMENDED P.C.B. LAYOUT FOR 3 PAD (TOLERANCE ±0.05)

- NOTES:
- Mechanical Characteristics :**  
 Durability: 100 cycles min.(after the test all requirement should be ok and no physical damage)  
 Connector Mating Force: 30N Max  
 Connector Unmating Force: 5N Min
  - Electrical Characteristics**  
 Voltage rating: 60V DC  
 Contact resistance: 20mΩ Max  
 Insulation resistance: 500MΩ Min
  - Environmental Characteristics**  
 Salt-Mist: 48hour min.(no harmful corrosion)  
 High temprature resistance: 260°C, 120s'.  
 (feet plane shall be in 0.10mm)  
 Solderability: 260°C, 5sec. (Solder tail shall be covered more than 95% of immersed area with flash solder)

3	Shell	1	Copper alloy, Au plated over Nickel
2	Contact	1	Copper alloy, Au plated over Nickel
1	Insulation	1	LCP UL94V-0,Black
ITEM	PART NAME	Q'TY	MATERILA/FINISH

Unless otherwise specified, other tolerance are:

X	±0.35	X*	±5*
X.X	±0.25	X.X*	±4*
X.XX	±0.15	X.XX*	±3*
X.XXX	±0.10	X.XXX*	±2*

**MUP** MUP INDUSTRIAL CO.,LTD.

NAME: **RF I REC Connector**

MODEL NO: **MUP-R4151-8**

TYPE : **H=1.25mm, 4 TYPE**

PROJ.	UNIT	SCALE	DRAWN	DING	2022.07.15	DWG NO.:
①	MM	10:1	CHECKED			<b>DWG-R4151-08</b>
CUSTOMER DRAWING						APPROVAL
					SHEET	REVISION
					1/1	1



## X-ON Electronics

Largest Supplier of Electrical and Electronic Components

*Click to view similar products for [RF Connectors / Coaxial Connectors](#) category:*

*Click to view products by [Murata](#) manufacturer:*

Other Similar products are found below :

[8915-1511-000](#) [89674-0827](#) [6002-7051-003](#) [6059674-1](#) [630059-000](#) [M39030/3-01N](#) [6501-1071-002](#) [6769](#) [7002-1572-002](#) [7003-1542-011](#)  
[7003-1572-002](#) [7004-1512-000](#) [7009-1511-004](#) [7101-1541-010](#) [7105-1521-002](#) [7145-1521-002](#) [7203-1571-003](#) [7209-1511-011](#) [7210-1511-](#)  
[040](#) [7242-1511-000](#) [73216-2241](#) [73404-2300](#) [7405-1521-005](#) [7405-1521-802](#) [8527](#) [8547](#) [FS11V](#) [877931](#) [8808-1511-001](#) [9074-9513-000](#)  
[PL11C-026](#) [PL40-36](#) [PL71-9](#) [PL74C-221](#) [9408-1113-000](#) [980-8666-005](#) [1200690078](#) [1-201144-1](#) [120919](#) [R107003010W](#) [R112186000](#)  
[R113053000W](#) [R113082097](#) [R113236000](#) [R113240000](#) [R113240097](#) [R114083000](#) [R114670000W](#) [R123415000W](#) [R124072220W](#)