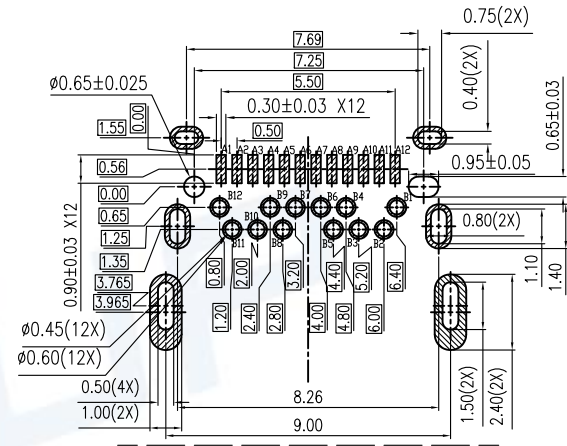


NOTE:

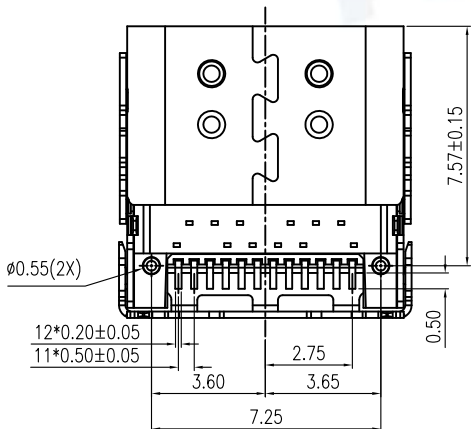
- MECHANICAL:
 - MATING FORCE: 0.5~2.0Kgf
 - UMMATING FORCE: Initial: 0.8~2.0Kgf
After 500 to 10,000cycles: 0.6~2.0Kgf
 - FREQUENCY: 500±50 CYCLES/HOUR, 10000 CYCLES;
- ELECTRICAL CHARACTERISTICS:
 - CURRENT RATING: 1.25A/PIN FOR FOR VBUS AND GND
0.25 A FOR OTHER PINS
 - INITIAL CONTACT RESISTANCE: 40mΩ Max.
INSULATION RESISTANCE: 100MΩ MIN
 - WITHSTANDING VOLTAGE: 100V AC, 1 MINUTE;
- ENVIRONMENTAL
TEMPERATURE RANGE: -40°C TO +85°C.

REV.	DESCRIPTION OF REVISIONS	APPR.	CHKD.	DRAW.	DATE
△	Original reversion	lucky	lucky	Roy	2021.12.06



CONNECTOR FRONT EDGE
RECOMMENDED P.C.B. LAYOUT (T:0.80mm)
TOLERANCE UNSPECIFIED ±0.05mm

PIN	SIGNAL NAME	PIN	SIGNAL NAME
A1	GND	B12	GND
A2	SSTXP1	B11	SSRX1
A3	SSTXN1	B10	SSRXN1
A4	VBUS	B9	VBUS
A5	CC1	B8	SBU2
A6	DP1	B7	DN2
A7	DN1	B6	DP2
A8	SBU1	B5	CC2
A9	VBUS	B4	VBUS
A10	SSRXN2	B3	SSTXN2
A11	SSRXP2	B2	SSTXP2
A12	GND	B1	GND



ITEM	PART NAME	Q'TY	MATERIAL	FINISH
5	MID-PLATE	1	STAINLESS STEEL	Cleaning
4	Molding	1	THERMOPLASTIC	Black, UL94V-0
3	CONTACT	1	HIGH CONDUCTIVITY COPPER	Contact area: Gold plated over Ni.
2	SHELL	1	STAINLESS STEEL	Ni plated over all
1	TOP SHELL	1	STAINLESS STEEL	Ni plated over all

Unless Otherwise specified, other tolerance are:

X. ±0.30	X'. ±5°
X.X ±0.25	X.X' ±4°
X.XX ±0.15	X.XX' ±3°
X.XXX ±0.10	X.XXX' ±2°

MUP MUP INDUSTRIAL CO.,LTD.

NAME: **USB Type C Hybrid Right-Angle Receptacle**

MODEL No: **MUP-U20002-3**

TYPE : **24Pin & USB 3.1 Without GND-PLATE**

APPR. LUCKY/2021.12.06

CHKD. LUCKY/2021.12.06

DRAW. Roy/2021.12.06

PRAT NO.: U20002-3

DWG NO.: DWG-U20002-3-001

UNIT mm

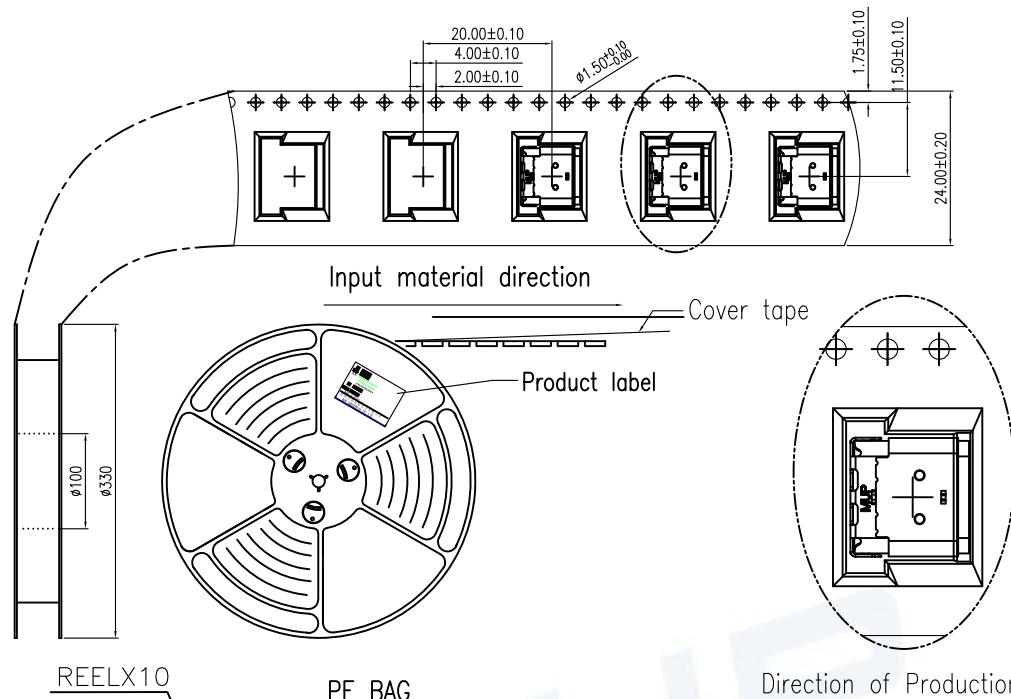
SCALE 1:1

SHEET 1/1

REVISION 1

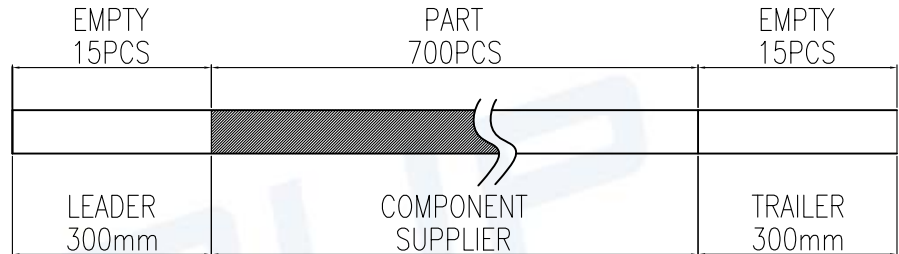


REV.	DESCRIPTION OF REVISIONS	APPR.	CHKD.	DRAW.	DATE
△	Original reversion	lucky	lucky	Roy	2021.12.06

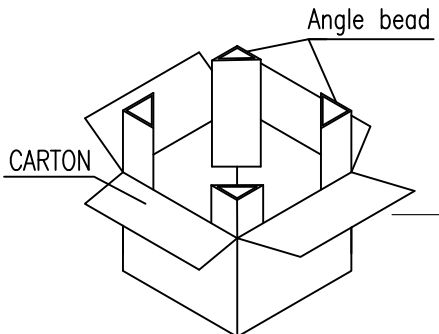
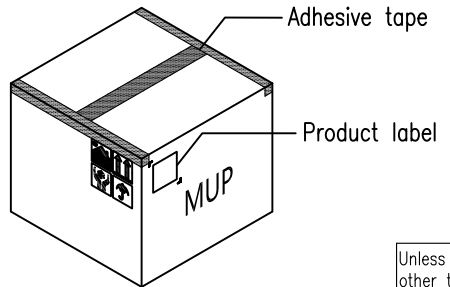
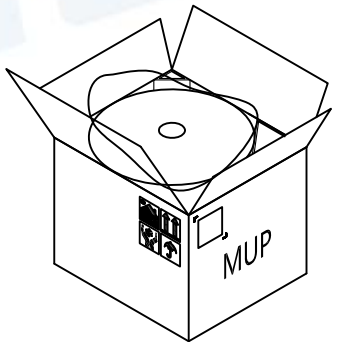
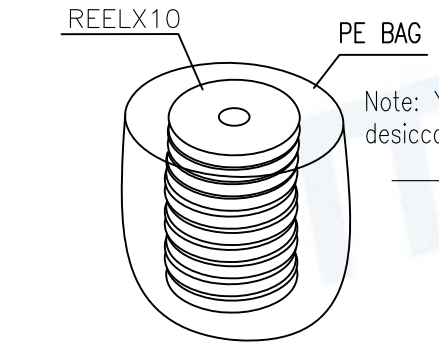


NOTES

1. NUMBER OF CONNECTORS:700PCS/REEL
2. LEAD TAPE LENGTH



3. QUANTITY:7000/CARTON
4. WEIGHT :
 - 4.1 NET WEIGHT : 4.88 Kg
 - 4.2 GROSS WEIGHT : 9.2 Kg



Unless Otherwise specified, other tolerance are:

X. ±0.30	X". ±5"
X.X ±0.25	X.X" ±4"
X.XX ±0.15	X.XX" ±3"
X.XXX±0.10	X.XXX"±2"

APPR.	LUCKY/2021.12.06
CHKD.	LUCKY/2021.12.06
DRAW.	Roy/2021.12.06

MUP MUP INDUSTRIAL CO.,LTD.	
NAME: USB Type C Hybrid Right-Angle Receptacle	
MODEL No: MUP-U20002-3	
TYPE : 24Pin & USB 3.1 Without GND-PLATE	
PRAT NO. : U20002-3	DWG NO. : DWG-U20002-3-001
PROJ.	UNIT mm
SCALE 1:1	SHEET 2/2
REVISION 1	



X-ON Electronics

Largest Supplier of Electrical and Electronic Components

Click to view similar products for [USB Connectors](#) category:

Click to view products by [Murata](#) manufacturer:

Other Similar products are found below :

[950](#) [A-USB A-LP-SMT-C](#) [A-USB B-TOP-C](#) [MUSBD11135](#) [17-200721](#) [217450-1](#) [KMBVX-TH-5S-B30](#) [KUSBX-AS2N-W](#) [KUSBX-SMT2AP1S-W30](#) [935](#) [957](#) [30-498-6](#) [SK-60A-2](#) [1734082-1](#) [30-470](#) [30-489](#) [30-541](#) [MAB 5 S](#) [A-USB A-2P-C](#) [MIKROE-1451](#)
[USBFTVSCCG](#) [1-1734084-2](#) [MUSBA81130](#) [NK-27-32SL](#) [NK-L8-22C-5/8](#) [10135326-001LF](#) [4198](#) [690-024-633-031](#) [UB-20PMFP-LC7001](#)
[17-200011](#) [UB-20AFMM-LL7A01](#) [CAP-WCCMLPB1](#) [CAP-WCCMLPC1](#) [2274475-3](#) [914-614A2025S10200](#) [USB3FTV7SAGF059](#)
[USB3FTV2SAZNF459](#) [USB3FTV7SAZNF459](#) [U221-041N-1WVS62-F5D](#) [HYCW153-USBD05-500B](#) [HYCW219-USBD05-075B](#)
[HYCW148-USBD05-117B](#) [HYCW149-USBD05-740B](#) [HYCW204-USBD05-108B](#) [HYCW214-USBA04-113B](#) [HYCW213-USBA04-113B](#)
[KMMX-BSMT35S-1-B30TR](#) [2345986-1](#) [10082141-N340LF](#) [10117836-011LF](#)