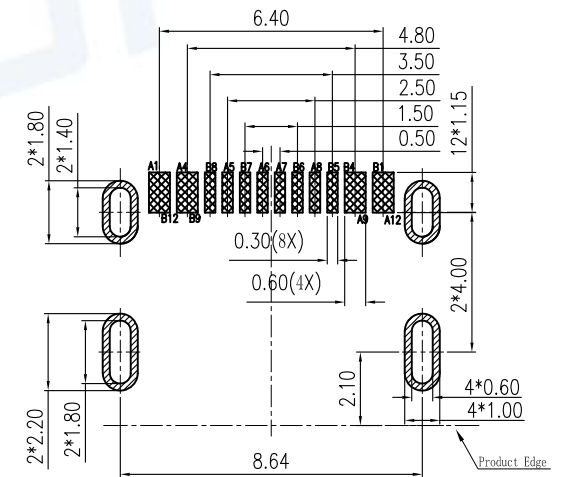
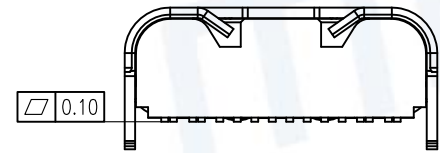
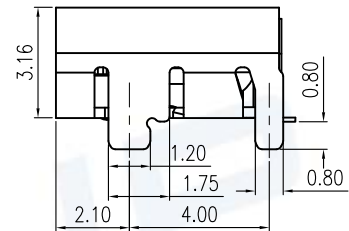
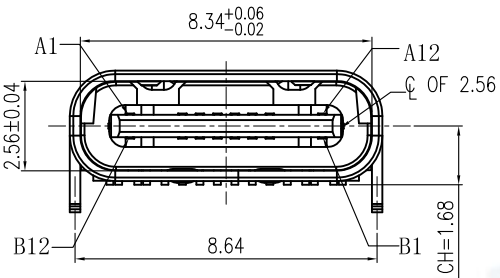
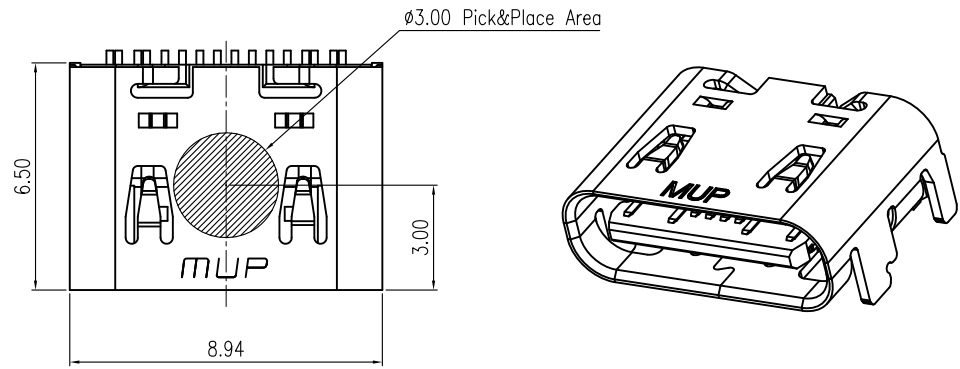
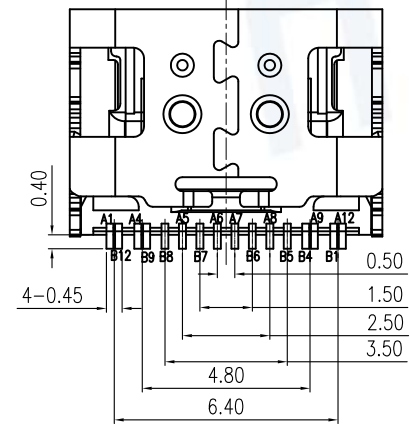


REV.	DESCRIPTION OF REVISIONS	APPR.	CHKD.	DRAW.	DATE
△	Original reversion	lucky	lucky	Roy	2020.10.22



RECOMMENDED P.C.B. LAYOUT
TOLERANCE UNSPECIFIED ±0.05mm



NOTE:

- MECHANICAL:
 - 1-1 Insertion force: 5~20N
 - 1-2 Extraction force: 8~20N
 - Extraction force: 10000 CYCLES 6~20N
 - 1-3.FREQUENCE:500±50 CYCLES/HOUR,10000 CYCLES;
- ELECTRICAL CHARACTERISTICS:
 - 2-1. CURRENT RATING:
 - VBUS Pins (A4,A9,B4,B9): 5.0A,
 - Vconn(B5) : 1.25A
 - Other All Pins 0.25A
 - 2-2. INITIAL CONTACT RESISTANCE:40mΩ Max.
 - 2-3. INSULATION RESISTANCE:100MΩ MIN
 - 2-4. WITHSTANDING VOLTAGE:100V AC,1 MINUTE;
- ENVIRONMENTAL
 - TEMPERATURE RANGE: -40°C TO +85°C.

PIN ASSINGMENTS

PIN	SINGAL NAME	PIN	SINGAL NAME
A1	GND	B12	GND
A4	VBUS	B9	VBUS
A5	CC1	B8	SBU2
A6	Dp1	B7	Dn2
A7	Dn1	B6	Dp2
A8	SBU1	B5	CC2
A9	VBUS	B4	VBUS
A12	GND	B1	GND

ITEM	PART NAME	Q'TY	MATERIAL	FINISH
①	Molding	1	THERMOPLASTIC	Black, UL94V-0
②	CONTACT	1	HIGH CONDUCTIVITY COPPER	Contact area:Gold plated over Ni.
③	SHELL	1	STAINLESS STEEL	Ni plated over all
④	MID-PLATE	1	STAINLESS STEEL	Cleaning

Unless Otherwise specified, other tolerance are:

X. ±0.40	X*. ±5°
X.X ±0.30	X.X* ±4°
X.XX ±0.25	X.XX* ±3°
X.XXX±0.15	X.XXX*±2°

MUP MUP INDUSTRIAL CO.,LTD.

NAME: **USB Type C SINGLE-Row SMT Receptacle**

MODEL No: **MUP-U20402-1**

TYPE : **16Pin & Without Post on board L=6.50**

APPR. LUCKY/2020.10.22

CHKD. LUCKY/2020.10.22

DRAW. Roy/2020.10.22

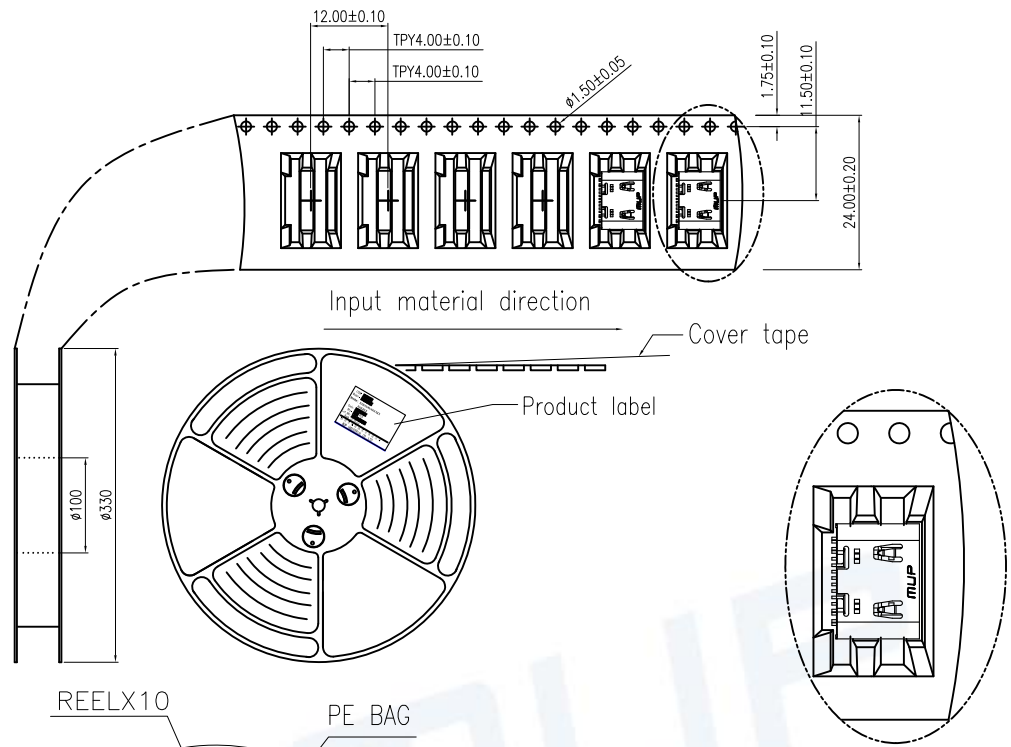
PRAT NO.: U20402-1

DWG NO.: DWG-U20402-1-001

PROJ. UNIT mm SCALE 1:1 SHEET 1/2 REVISION 1



REV.	DESCRIPTION OF REVISIONS	APPR.	CHKD.	DRAW.	DATE
△	Original reversion	lucky	lucky	Roy	2020.10.22

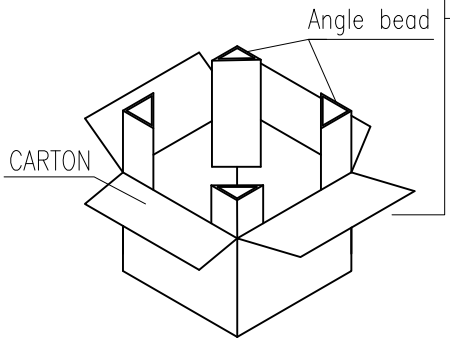
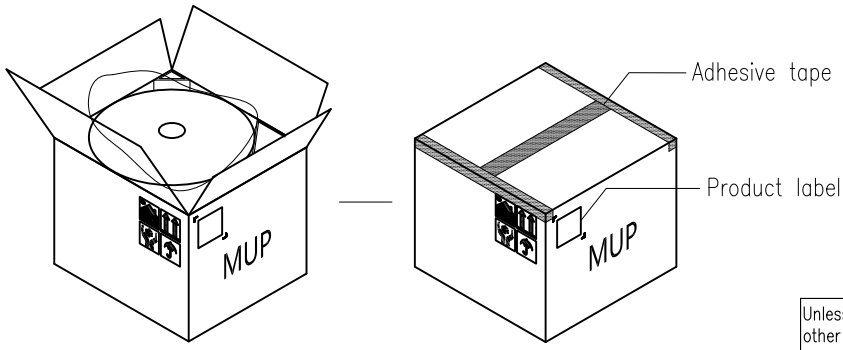
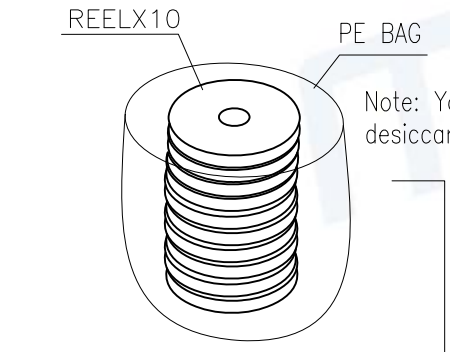


NOTES

1. NUMBER OF CONNECTORS:1400PCS/REEL
2. LEAD TAPE LENGTH

EMPTY 16PCS	PART 1400PCS	EMPTY 16PCS
LEADER 192mm	COMPONENT SUPPLIER	TRAILER 192mm

3. QUANTITY:14000/CARTON
4. WEIGHT :
 - 4.1 NET WEIGHT : 5.5 Kg
 - 4.2 GROSS WEIGHT : 10.5 Kg



Unless Otherwise specified, other tolerance are:		MUP MUP INDUSTRIAL CO.,LTD.			
X. ±0.40	X°. ±5°	NAME: USB Type C SINGLE-Row SMT Receptacle			
X.X ±0.30	X.X° ±4°	MODEL No: MUP-U20402-1			
X.XX ±0.25	X.XX° ±3°	TYPE : 16Pin & Without Post on board L=6.50			
X.XXX±0.15	X.XXX°±2°	PRAT NO. : U20402-1		DWG NO. : DWG-U20402-1-001	
APPR.	LUCKY/2020.10.22	PROJ.		UNIT	SCALE
CHKD.	LUCKY/2020.10.22	DRAW.		mm	1:1
DRAW.		Roy/2020.10.22		SHEET	REVISION
				2/2	1



X-ON Electronics

Largest Supplier of Electrical and Electronic Components

Click to view similar products for [USB Connectors](#) category:

Click to view products by [Murata](#) manufacturer:

Other Similar products are found below :

[950](#) [A-USB A-LP-SMT-C](#) [A-USB B-TOP-C](#) [MUSBD11135](#) [17-200721](#) [217450-1](#) [KMBVX-TH-5S-B30](#) [KUSBX-AS2N-W](#) [KUSBX-SMT2AP1S-W30](#) [935](#) [957](#) [30-498-6](#) [SK-60A-2](#) [1734082-1](#) [30-470](#) [30-489](#) [30-541](#) [MAB 5 S](#) [A-USB A-2P-C](#) [MIKROE-1451](#)
[USBFTVSCCG](#) [1-1734084-2](#) [MUSBA81130](#) [NK-27-32SL](#) [NK-L8-22C-5/8](#) [10135326-001LF](#) [4198](#) [690-024-633-031](#) [UB-20PMFP-LC7001](#)
[17-200011](#) [UB-20AFMM-LL7A01](#) [CAP-WCCMLPB1](#) [CAP-WCCMLPC1](#) [2274475-3](#) [914-614A2025S10200](#) [USB3FTV7SAGF059](#)
[USB3FTV2SAZNF459](#) [USB3FTV7SAZNF459](#) [HYCW153-USBD05-500B](#) [HYCW148-USBD05-117B](#) [HYCW149-USBD05-740B](#)
[HYCW214-USBA04-113B](#) [HYCW213-USBA04-113B](#) [KMMX-BSMT35S-1-B30TR](#) [2345986-1](#) [10082141-N340LF](#) [10117836-011LF](#)
[GSB3C3133DSYHR](#) [GT-USB-2014-CWG1](#) [GT-USB-7010ANS](#)