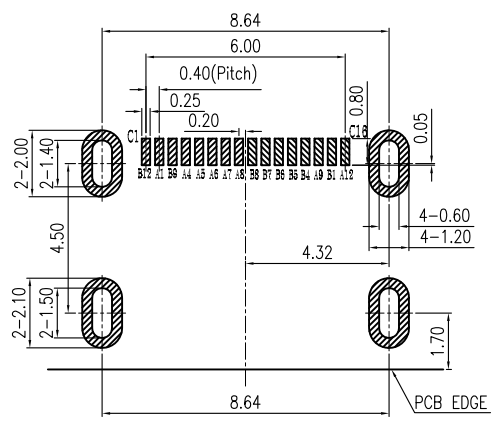
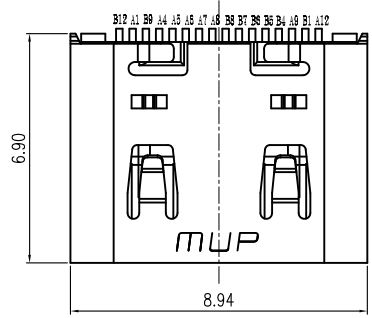
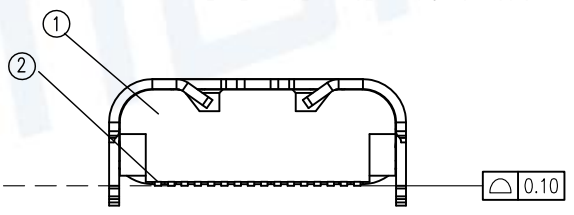
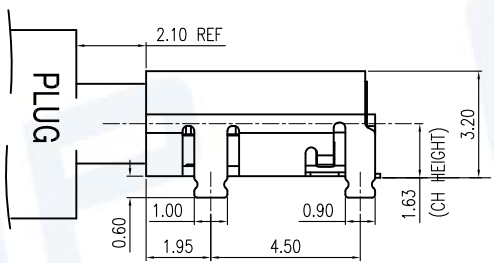
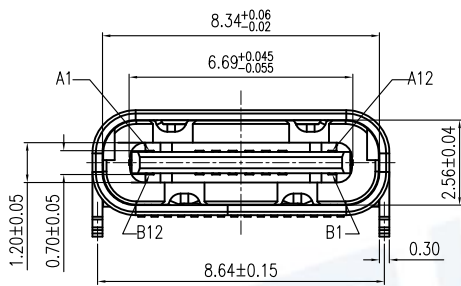


REV.	DESCRIPTION OF REVISIONS	APPR.	CHKD.	DRAW.	DATE
△	Original reversion	lucky	lucky	Roy	2019.8.10
△	All product model	lucky	lucky	Roy	2020.03.19
△	Delete Model No. U20405-2	lucky	lucky	Roy	2020.10.12

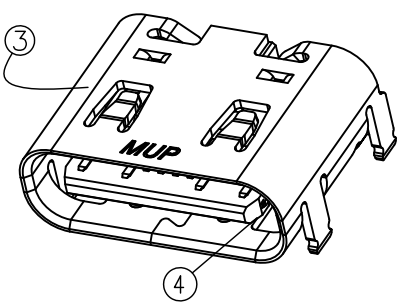
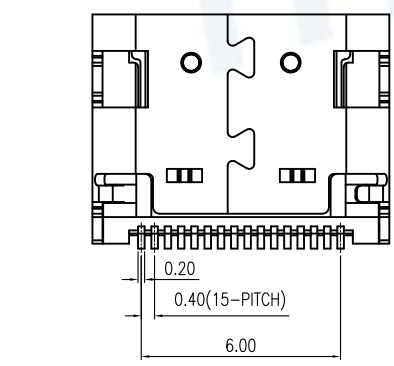


RECOMMENDED P.C.B. LAYOUT  
TOLERANCE UNSPECIFIED ±0.05mm

NOTE:  
 1. MECHANICAL:  
 1-1 Insertion force: 5~20N  
 1-2 Extraction force: 8~20N  
 Extraction force: 10000 CYCLES 6~20N  
 1-3. FREQUENCY: 500±50 CYCLES/HOUR, 10000 CYCLES;  
 2. ELECTRICAL CHARACTERISTICS:  
 2-1. CURRENT RATING:  
 VBUS Pins (A4,A9,B4,B9): 5.0A,  
 Vconn(B5) : 1.25A  
 Other All Pins 0.25A  
 2-2. INITIAL CONTACT RESISTANCE: 40mΩ Max.  
 2-3. INSULATION RESISTANCE: 100MΩ MIN  
 2-4. WITHSTANDING VOLTAGE: 100V AC, 1 MINUTE;  
 3. ENVIRONMENTAL  
 TEMPERATURE RANGE: -40°C TO +85°C.



Model No.	PLATING
U20405-1	3U"
U20405-3	1U"



PIN ASSIGNMENT																
PCB No.	C1	C2	C3	C4	C5	C6	C7	C8	C9	C10	C11	C12	C13	C14	C15	C16
PIN No.	B12	A1	B9	A4	A5	A6	A7	A8	B8	B7	B6	B5	B4	A9	B1	A1 <sub>2</sub>
	GND		VBUS		CC1	D+	D-	SBU1	SBU2	D-	D+	CC2	VBUS	GND		

ITEM	PART NAME	Q'TY	MATERIAL	FINISH
①	Molding	1	THERMOPLASTIC	Black, UL94V-0
②	CONTACT	1	HIGH CONDUCTIVITY COPPER	Contact area: Gold plated over Ni.
③	SHELL	1	STAINLESS STEEL	Ni plated over all
④	MID-PLATE	1	STAINLESS STEEL	Cleaning

Unless Otherwise specified, other tolerance are:

**MUP** MUP INDUSTRIAL CO.,LTD.

NAME: **USB Type C SINGLE-Row SMT Receptacle**

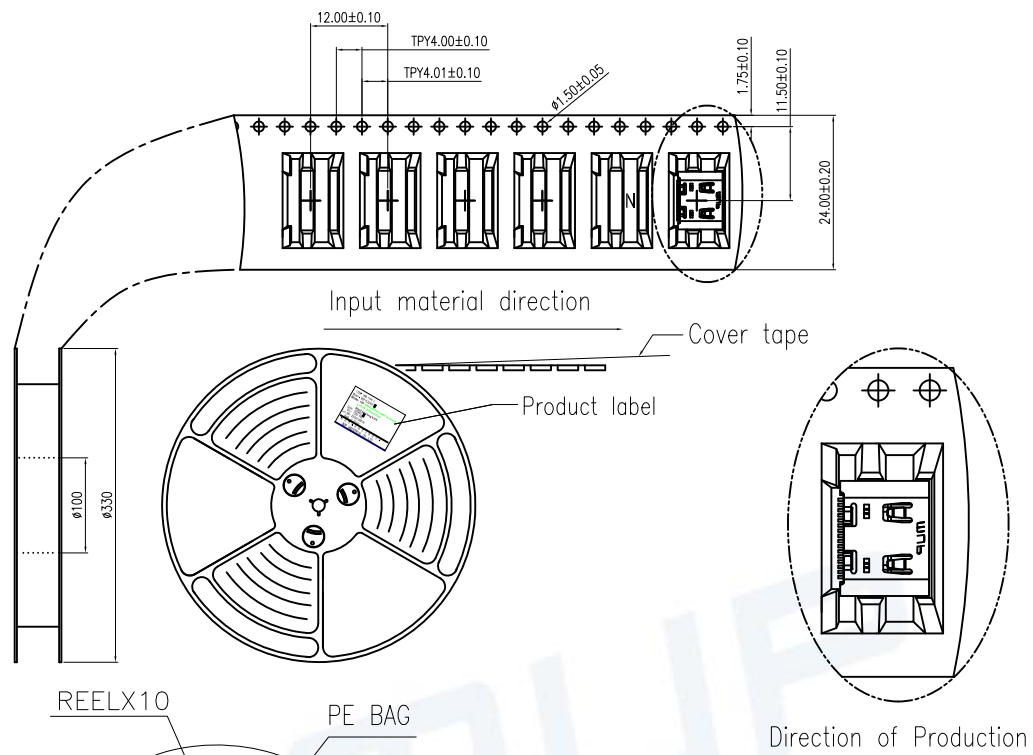
MODEL No: **MUP-U20405-X**

TYPE : **16Pin & Without Post on board L=6.90**

APPR.	LUCKY/2020.10.12	PRAT NO.:	U20405-X	DWG NO.:	DWG-U20405-X-001
CHKD.	LUCKY/2020.10.12	PROJ.		UNIT	mm
DRAW.	Roy/2020.10.12	SCALE	1:1	SHEET	1/1
		REVISION			3

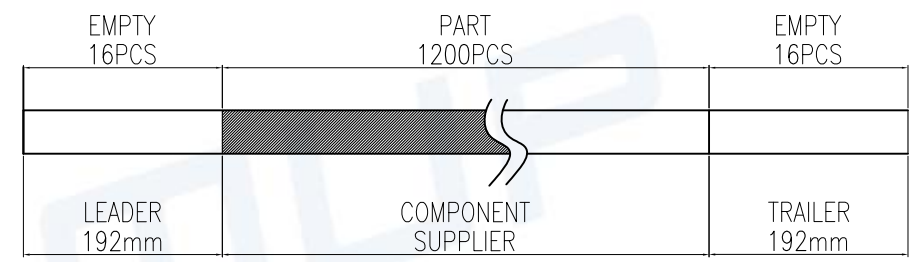


REV.	DESCRIPTION OF REVISIONS	APPR.	CHKD.	DRAW.	DATE
△	Original reversion	lucky	lucky	Roy	2019.8.10
△	Add product model	lucky	lucky	Roy	2020.03.19
△	Delete Model No. U20405-2	lucky	lucky	Roy	2020.10.12

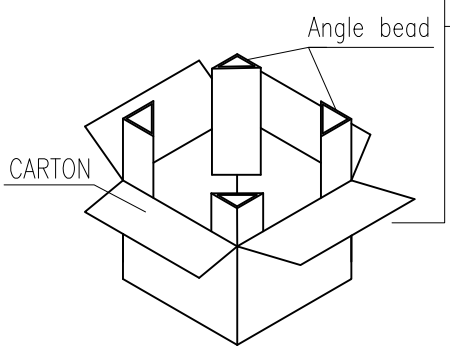
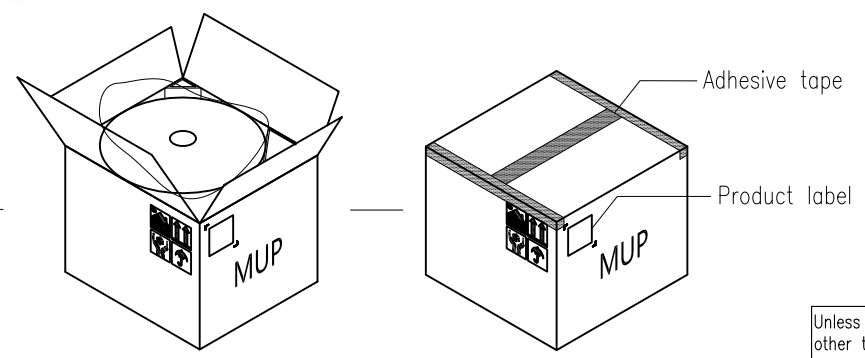
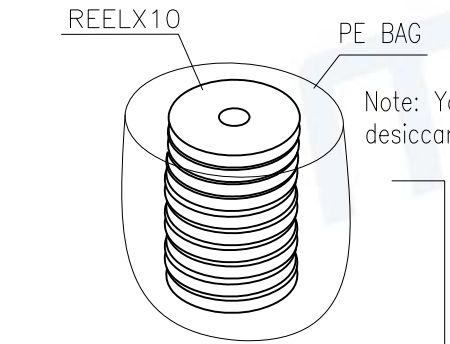


NOTES

1. NUMBER OF CONNECTORS: 1200PCS/REEL
2. LEAD TAPE LENGTH



3. QUANTITY: 12000/CARTON
4. WEIGHT :
  - 4.1 NET WEIGHT : 5.0 Kg
  - 4.2 GROSS WEIGHT : 10.3 Kg



Unless Otherwise specified, other tolerance are:		<b>MUP</b> MUP INDUSTRIAL CO.,LTD.			
X. ±0.40	X'. ±5°	NAME: <b>USB Type C SINGLE-Row SMT Receptacle</b>			
X.X ±0.30	X.X' ±4°	MODEL No: <b>MUP-U20405-X</b>			
X.XX ±0.25	X.XX' ±3°	TYPE : <b>16Pin &amp; Without Post on board L=6.90</b>			
X.XXX±0.15	X.XXX'±2°	PROJ. NO.:		DWG NO.:	
APPR.	LUCKY/2020.10.12	U20405-X		DWG-U20405-X-001	
CHKD.	LUCKY/2020.10.12	UNIT mm SCALE 1:1 SHEET 2/2 REVISION 3			
DRAW.	Roy/2020.10.12				

## X-ON Electronics

Largest Supplier of Electrical and Electronic Components

*Click to view similar products for [USB Connectors](#) category:*

*Click to view products by [Murata](#) manufacturer:*

Other Similar products are found below :

[950](#) [A-USB A-LP-SMT-C](#) [A-USB B-TOP-C](#) [MUSBD11135](#) [17-200721](#) [217450-1](#) [KMBVX-TH-5S-B30](#) [KUSBX-AS2N-W](#) [KUSBX-SMT2AP1S-W30](#) [935](#) [957](#) [30-498-6](#) [SK-60A-2](#) [1734082-1](#) [30-470](#) [30-489](#) [30-541](#) [MAB 5 S](#) [A-USB A-2P-C](#) [MIKROE-1451](#)  
[USBFTVSCCG](#) [1-1734084-2](#) [MUSBA81130](#) [NK-27-32SL](#) [NK-L8-22C-5/8](#) [10135326-001LF](#) [4198](#) [690-024-633-031](#) [UB-20PMFP-LC7001](#)  
[17-200011](#) [UB-20AFMM-LL7A01](#) [CAP-WCCMLPB1](#) [CAP-WCCMLPC1](#) [2274475-3](#) [914-614A2025S10200](#) [USB3FTV7SAGF059](#)  
[USB3FTV2SAZNF459](#) [USB3FTV7SAZNF459](#) [U221-041N-1WVS62-F5D](#) [HYCW153-USBD05-500B](#) [HYCW219-USBD05-075B](#)  
[HYCW148-USBD05-117B](#) [HYCW149-USBD05-740B](#) [HYCW204-USBD05-108B](#) [HYCW214-USBA04-113B](#) [HYCW213-USBA04-113B](#)  
[KMMX-BSMT35S-1-B30TR](#) [2345986-1](#) [10082141-N340LF](#) [10117836-011LF](#)