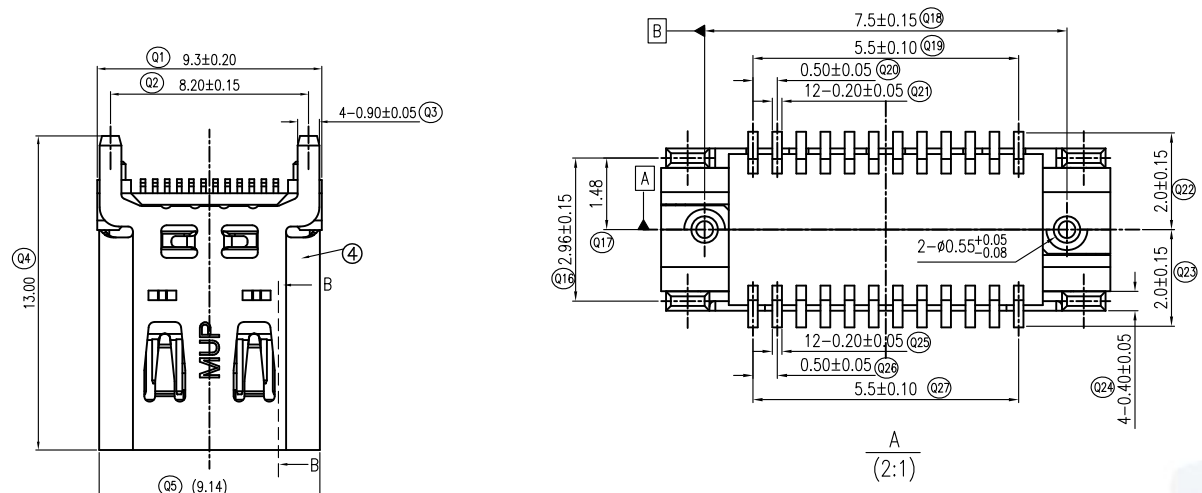
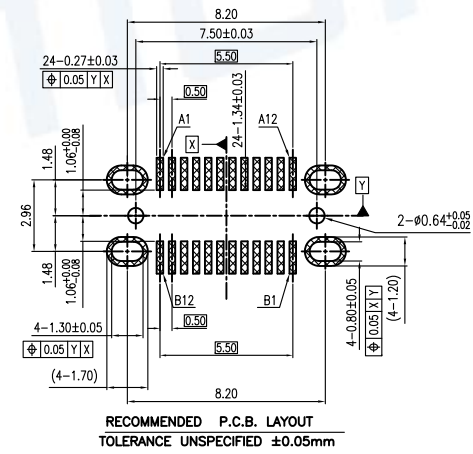
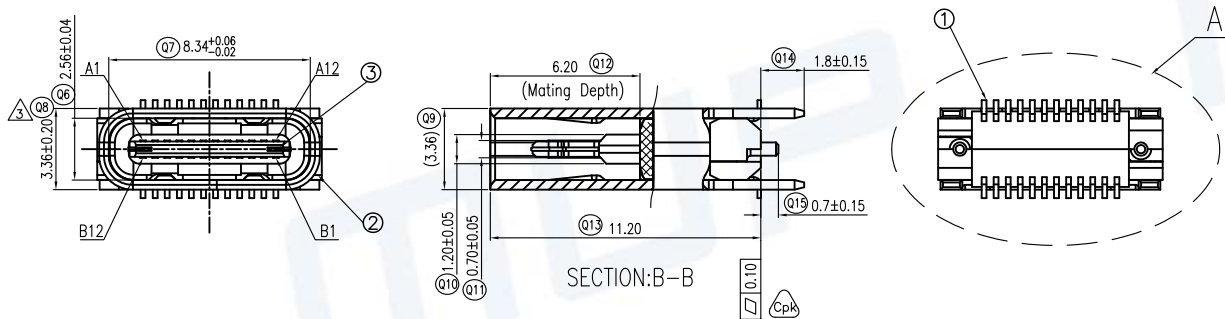


REV.	DESCRIPTION OF REVISIONS	APPR.	CHKD.	DRAW.	DATE
△	Ooriginal reversion	lucky	lucky	Roy	2019.02.15
△	Alt product model	lucky	lucky	Roy	2020.03.19
△	Correct mistakes	lucky	lucky	Roy	2020.05.03



NOTE:

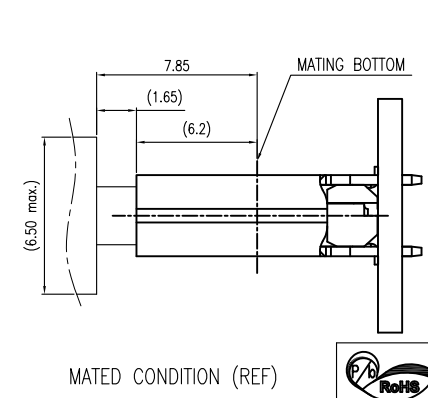
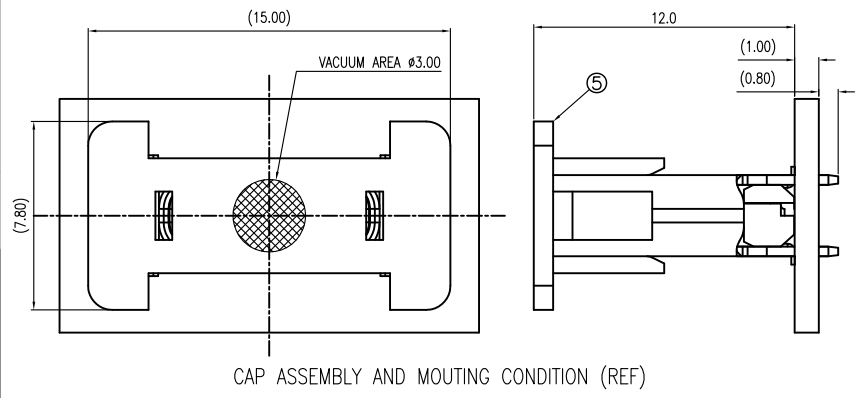
- MECHANICAL:
 - MATING FORCE: 0.5~2.0Kgf
 - UMMATING FORCE: Initial: 0.8~2.0Kgf
After 500 to 10,000cycles: 0.6~2.0Kgf
 - FREQUENCE: 500±50 CYCLES/HOUR, 10000 CYCLES;
- ELECTRICAL CHARACTERISTICS:
 - CURRENT RATING: 1.25A/PIN FOR FOR VBUS AND GND
0.25 A FOR OTHER PINS
 - INITIAL CONTACT RESISTANCE: 40mΩ Max.
 - INSULATION RESISTANCE: 100MΩ MIN
 - WITHSTANDING VOLTAGE: 100V AC, 1 MINUTE;
- ENVIRONMENTAL
TEMPERATRUE RANGE: -40°C TO +85°C.



MODEL No.	PLATING
U23003-1	3U"
U23003-2	1U"

A1	GND	B12	GND
A2	SSTXP1	B11	SSRXP1
A3	SSTXN1	B10	SSRXN1
A4	VBUS	B9	VBUS
A5	CC1	B8	SBU2
A6	DP1	B7	DN2
A7	DN1	B6	DP2
A8	SBU1	B5	CC2
A9	VBUS	B4	VBUS
A10	SSRXN2	B3	SSTXN2
A11	SSRXP2	B2	SSTXP2
A12	GND	B1	GND

PIN	SIGNAL NAME	PIN	SIGNAL NAME
A1	GND	B12	GND
A2	SSTXP1	B11	SSRXP1
A3	SSTXN1	B10	SSRXN1
A4	VBUS	B9	VBUS
A5	CC1	B8	SBU2
A6	DP1	B7	DN2
A7	DN1	B6	DP2
A8	SBU1	B5	CC2
A9	VBUS	B4	VBUS
A10	SSRXN2	B3	SSTXN2
A11	SSRXP2	B2	SSTXP2
A12	GND	B1	GND



ITEM	PART NAME	Q'TY	MATERIAL	FINISH
1	CONTACT	24	HIGH CONDUCTIVITY COPPER	Contact area:Gold plated over Ni.
2	INSULATOR	1	THERMOPLASTIC	Black, UL94V-0
3	MID-PLATE	1	STAINLESS STEEL	Cleaning
4	SHELL	1	STAINLESS STEEL	NI PLATING OVER ALL.
5	CAP	1	THERMOPLASTIC	Black, UL94V-0

Unless Otherwise specified, other tolerance are:

X. ±0.40	X'. ±5'
X.X ±0.30	X.X' ±4'
X.XX ±0.25	X.XX' ±3'
X.XXX ±0.15	X.XXX' ±2'

MUP MUP INDUSTRIAL CO.,LTD.

NAME: **USB Type C Vertical Mount Receptacle**

MODEL No: **MUP-U23003-X**

TYPE : **24Pin & USB 3.1 Without GND-PLATE Height 11.2mm**

APPR. LUCKY/2020.03.19

CHKD. LUCKY/2020.03.19

DRAW. Roy/2020.03.19

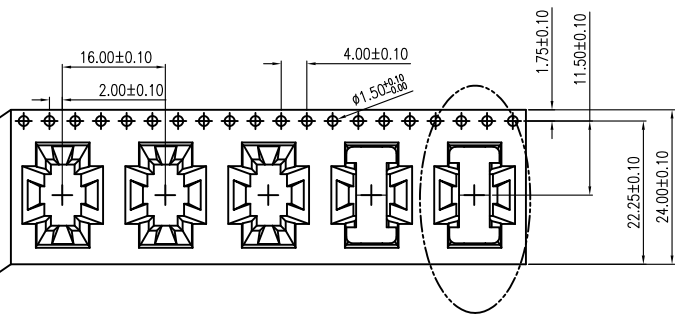
PRAT NO.: U23003-X

DWG NO.: DWG-U23003-X-001

PROJ. UNIT mm SCALE 1:1 SHEET 1/2 REVISION 3

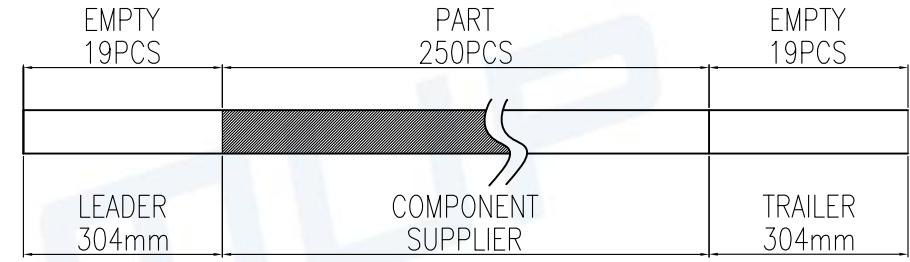


REV.	DESCRIPTION OF REVISIONS	APPR.	CHKD.	DRAW.	DATE
△	Original revision	lucky	lucky	Roy	2019.02.15
△	Add product model	lucky	lucky	Roy	2020.03.19
△	Correct mistakes	lucky	lucky	Roy	2020.05.03

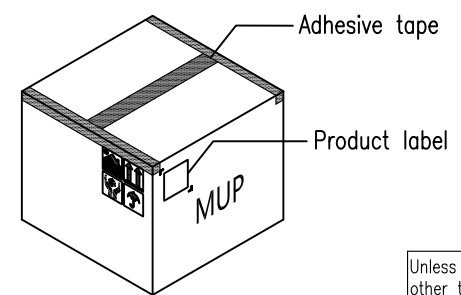
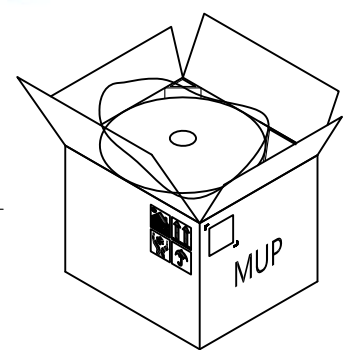
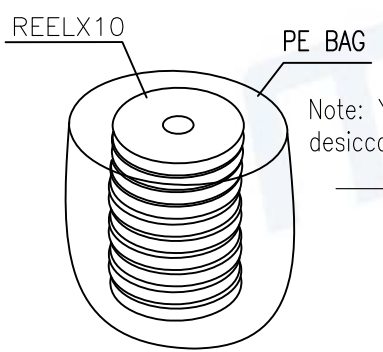
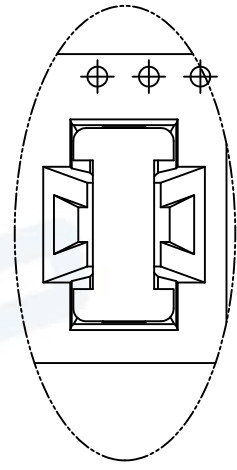
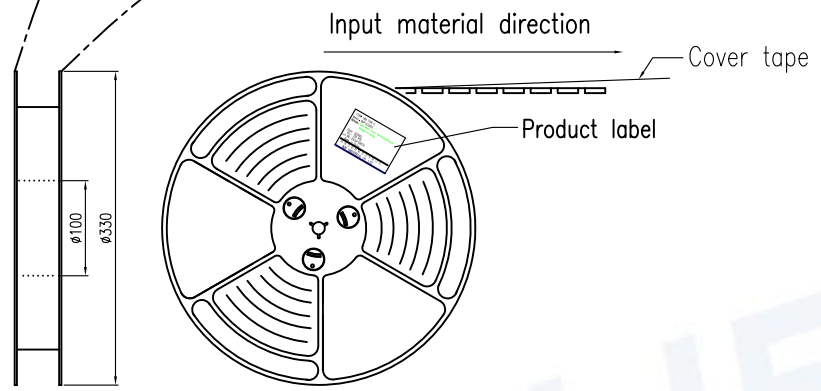


NOTES

1. NUMBER OF CONNECTORS:250PCS/REEL
2. LEAD TAPE LENGTH

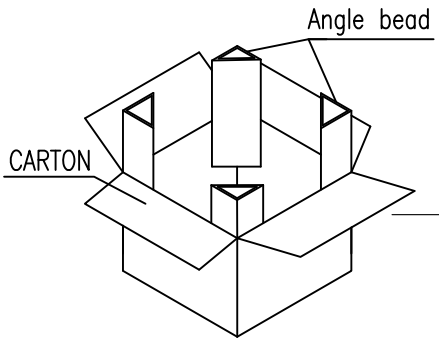


3. QUANTITY:2500/CARTON
4. WEIGHT :
 - 4.1 NET WEIGHT : 3.0 Kg
 - 4.2 GROSS WEIGHT : 6.48 Kg



ITEM: USB TYPE C
 Model: MUP-U23003-X
 Note: **24P With Cap Vertical Mount Height 11.2**
 Code: U23003-X
 Qty: 2500 PCS
 Lot NO: EG24A10B07A
 Made in China
 深圳市德海威实业有限公司
 MUP INDUSTRIAL CO.,LTD

Product label



Unless Otherwise specified, other tolerance are:

X. ±0.40	X°. ±5°
X.X ±0.30	X.X° ±4°
X.XX ±0.25	X.XX° ±3°
X.XXX±0.15	X.XXX°±2°

APPR.	LUCKY/2020.03.19
CHKD.	LUCKY/2020.03.19
DRAW.	Roy/2020.03.19

MUP MUP INDUSTRIAL CO.,LTD.	
NAME: USB Type C Vertical Mount Receptacle	
MODEL No: MUP-U23003-X	
TYPE : 24Pin & USB 3.1 Without GND-PLATE Height 11.2mm	
PRAT NO.:	U23003-X
DWG NO.:	DWG-U23003-X-001
PROJ.	UNIT mm
SCALE	1:1
SHEET	2/2
REVISION	3



X-ON Electronics

Largest Supplier of Electrical and Electronic Components

Click to view similar products for [USB Connectors](#) category:

Click to view products by [Murata](#) manufacturer:

Other Similar products are found below :

[950](#) [A-USB A-LP-SMT-C](#) [A-USB B-TOP-C](#) [MUSBD11135](#) [17-200721](#) [217450-1](#) [KMBVX-TH-5S-B30](#) [KUSBX-AS2N-W](#) [KUSBX-SMT2AP1S-W30](#) [935](#) [957](#) [30-498-6](#) [SK-60A-2](#) [1734082-1](#) [30-470](#) [30-489](#) [30-541](#) [MAB 5 S](#) [A-USB A-2P-C](#) [MIKROE-1451](#)
[USBFTVSCCG](#) [1-1734084-2](#) [MUSBA81130](#) [NK-27-32SL](#) [NK-L8-22C-5/8](#) [10135326-001LF](#) [4198](#) [690-024-633-031](#) [UB-20PMFP-LC7001](#)
[17-200011](#) [UB-20AFMM-LL7A01](#) [CAP-WCCMLPB1](#) [CAP-WCCMLPC1](#) [2274475-3](#) [914-614A2025S10200](#) [USB3FTV7SAGF059](#)
[USB3FTV2SAZNF459](#) [USB3FTV7SAZNF459](#) [U221-041N-1WVS62-F5D](#) [HYCW153-USBD05-500B](#) [HYCW219-USBD05-075B](#)
[HYCW148-USBD05-117B](#) [HYCW149-USBD05-740B](#) [HYCW204-USBD05-108B](#) [HYCW214-USBA04-113B](#) [HYCW213-USBA04-113B](#)
[KMMX-BSMT35S-1-B30TR](#) [2345986-1](#) [10082141-N340LF](#) [10117836-011LF](#)