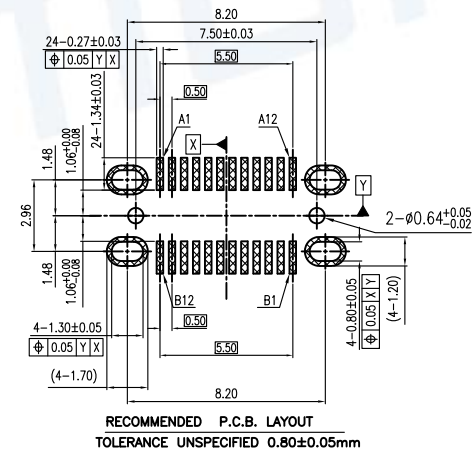
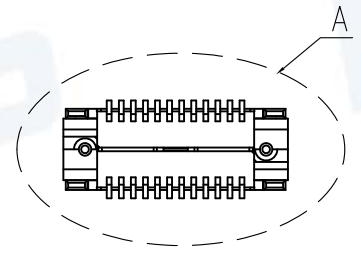
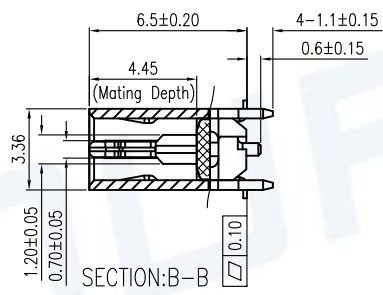
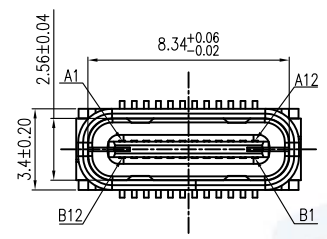


A  
(2:1)

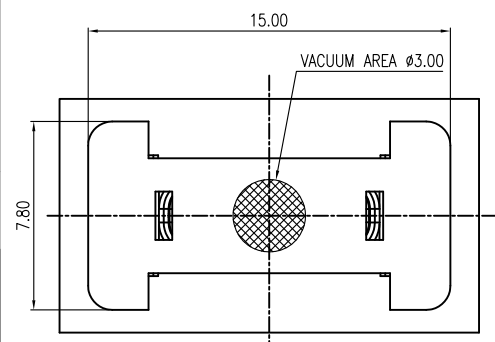


RECOMMENDED P.C.B. LAYOUT  
TOLERANCE UNSPECIFIED 0.80±0.05mm

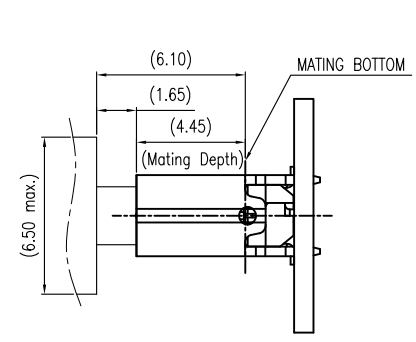
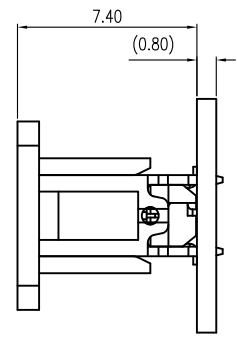
NOTE:  
 1. MECHANICAL:  
 1-1.MATING FORCE: 0.5~2.0Kgf  
 1-2.UMMATING FORCE: Initial: 0.8~2.0Kgf  
 After 500 to 10,000cycles: 0.6~2.0Kgf  
 1-3.FREQUENCE:500±50 CYCLES/HOUR,10000 CYCLES;  
 2. ELECTRICAL CHARACTERISTICS:  
 2-1. CURRENT RATING: 1.25A/PIN FOR FOR VBUS AND GND  
 0.25 A FOR OTHER PINS  
 2-2. INITIAL CONTACT RESISTANCE:40mΩ Max.  
 2-3. INSULATION RESISTANCE:100MΩ MIN  
 2-4. WITHSTANDING VOLTAGE:100V AC,1 MINUTE;  
 3. ENVIRONMENTAL  
 TEMPERATRU E RANGE: -40°C TO +85°C.

Model No.	PLATING
U23005-1	3U"
U23005-2	1U"

A1	GND	B12	GND
A2	SSTXP1	B11	SSRXP1
A3	SSTXN1	B10	SSRXN1
A4	VBUS	B9	VBUS
A5	CC1	B8	SBU2
A6	DP1	B7	DN2
A7	DN1	B6	DP2
A8	SBU1	B5	CC2
A9	VBUS	B4	VBUS
A10	SSRXN2	B3	SSTXN2
A11	SSRXP2	B2	SSTXP2
A12	GND	B1	GND
PIN	SIGNAL NAME	PIN	SIGNAL NAME



CAP ASSEMBLY AND MOUTING CONDITION (REF)



MATED CONDITION (REF)



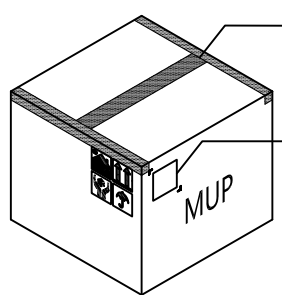
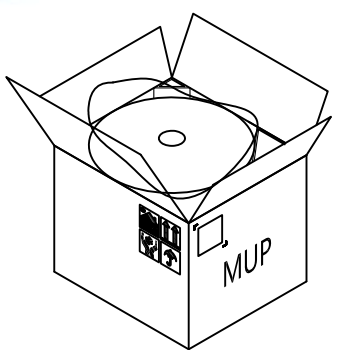
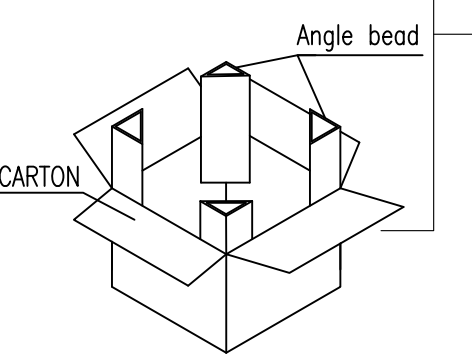
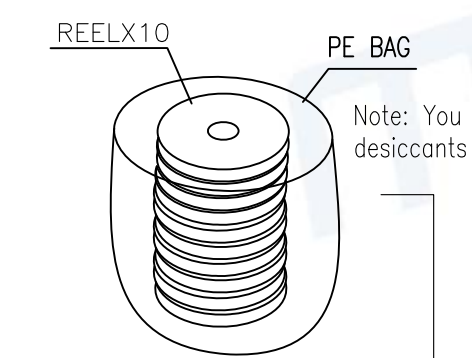
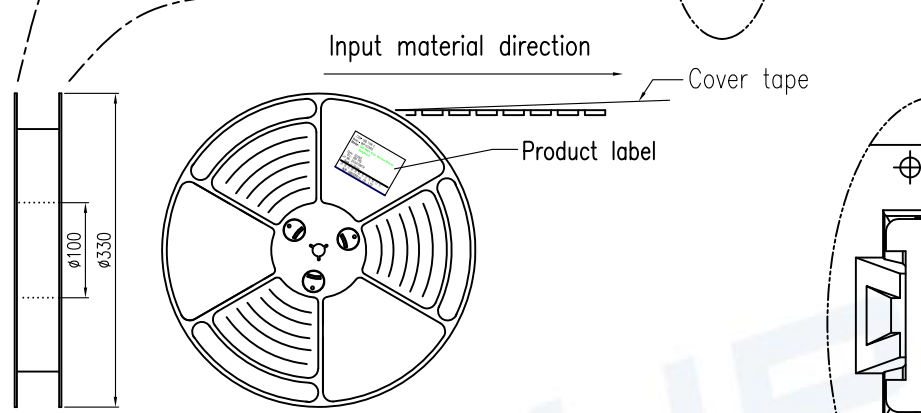
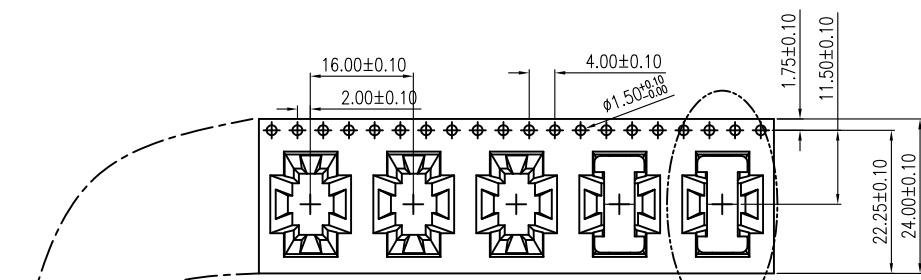
ITEM	PART NAME	Q'TY	MATERIAL	FINISH
1	CONTACT	24	HIGH CONDUCTIVITY COPPER	Contact area:Gold plated over Ni.
2	INSULATOR	1	THERMOPLASTIC	Black, UL94V-0
3	MID-PLATE	1	STAINLESS STEEL	Cleaning
4	SHELL	1	STAINLESS STEEL	Ni plated over all
5	CAP	1	THERMOPLASTIC	Black, UL94V-0

Unless Otherwise specified, other tolerance are:

X. ±0.40	X'. ±5'
X.X ±0.30	X.X' ±4'
X.XX ±0.25	X.XX' ±3'
X.XXX±0.15	X.XXX'±2'

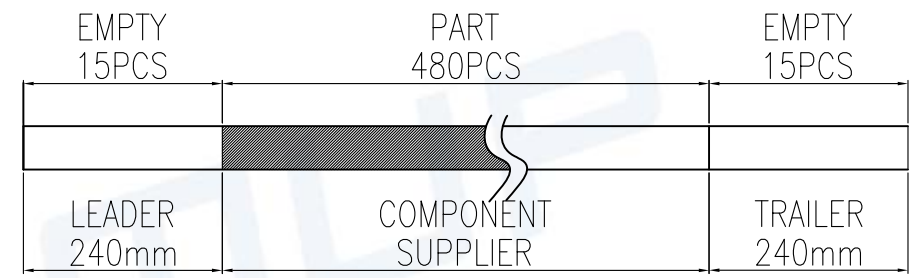
**MUP** MUP INDUSTRIAL CO.,LTD.  
 NAME: **USB Type C Vertical Mount Receptacle**  
 MODEL No: **MUP-U23005-X**  
 TYPE : **24Pin & USB 3.1 Without GND-PLATE Height 6.50mm**  
 APPR. LUCKY/2020.03.19  
 CHKD. LUCKY/2020.03.19  
 DRAW. Roy/2020.03.19  
 PRAT NO.: U23005-X  
 DWG NO.: DWG-U23005-X-001  
 UNIT mm SCALE 1:1 SHEET 1/2 REVISION 3

REV.	DESCRIPTION OF REVISIONS	APPR.	CHKD.	DRAW.	DATE
△1	Original reversion	lucky	lucky	Roy	2019.02.15
△2	Modify the drawing according to the material object	lucky	lucky	Roy	2020.01.10
△3	Modify product model	lucky	lucky	Roy	2020.03.19



NOTES

1. NUMBER OF CONNECTORS:480PCS/REEL
2. LEAD TAPE LENGTH



3. QUANTITY:4800/CARTON
4. WEIGHT :
  - 4.1 NET WEIGHT : 3.37 Kg
  - 4.2 GROSS WEIGHT : 7.7 Kg

ITEM: USB TYPE C  
 Model: MUP-U23005-X  
 Note: **24P With Cap Vertical Mount Height 6.5**  
 Code: U23005-X  
 Qty: 4800 PCS  
 Lot NO: EG24A10B07A  
 Made in China  
 深圳市德海威实业有限公司  
 MUP INDUSTRIAL CO.,LTD

Product label

Unless Otherwise specified, other tolerance are:

X. ±0.40	X°. ±5°
X.X ±0.30	X.X° ±4°
X.XX ±0.25	X.XX° ±3°
X.XXX±0.15	X.XXX°±2°

APPR.	LUCKY/2020.03.19
CHKD.	LUCKY/2020.03.19
DRAW.	Roy/2020.03.19

<b>MUP</b> MUP INDUSTRIAL CO.,LTD.	
NAME:	<b>USB Type C Vertical Mount Receptacle</b>
MODEL No:	<b>MUP-U23005-X</b>
TYPE :	<b>24Pin &amp; USB 3.1 Without GND-PLATE Height 6.50mm</b>
APPR.	LUCKY/2020.03.19
CHKD.	LUCKY/2020.03.19
DRAW.	Roy/2020.03.19
PROJ.	U23005-X
UNIT	mm
SCALE	1:1
SHEET	2/2
REVISION	3



## X-ON Electronics

Largest Supplier of Electrical and Electronic Components

*Click to view similar products for [USB Connectors](#) category:*

*Click to view products by [Murata](#) manufacturer:*

Other Similar products are found below :

[950](#) [A-USB A-LP-SMT-C](#) [A-USB B-TOP-C](#) [MUSBD11135](#) [17-200721](#) [217450-1](#) [KMBVX-TH-5S-B30](#) [KUSBX-AS2N-W](#) [KUSBX-SMT2AP1S-W30](#) [935](#) [957](#) [30-498-6](#) [SK-60A-2](#) [1734082-1](#) [30-470](#) [30-489](#) [30-541](#) [MAB 5 S](#) [A-USB A-2P-C](#) [MIKROE-1451](#)  
[USBFTVSCCG](#) [1-1734084-2](#) [MUSBA81130](#) [NK-27-32SL](#) [NK-L8-22C-5/8](#) [10135326-001LF](#) [4198](#) [690-024-633-031](#) [UB-20PMFP-LC7001](#)  
[17-200011](#) [UB-20AFMM-LL7A01](#) [CAP-WCCMLPB1](#) [CAP-WCCMLPC1](#) [2274475-3](#) [914-614A2025S10200](#) [USB3FTV7SAGF059](#)  
[USB3FTV2SAZNF459](#) [USB3FTV7SAZNF459](#) [HYCW153-USBD05-500B](#) [HYCW219-USBD05-075B](#) [HYCW148-USBD05-117B](#)  
[HYCW149-USBD05-740B](#) [HYCW204-USBD05-108B](#) [HYCW214-USBA04-113B](#) [HYCW213-USBA04-113B](#) [KMMX-BSMT35S-1-B30TR](#)  
[2345986-1](#) [10082141-N340LF](#) [10117836-011LF](#) [GSB3C3133DSYHR](#)