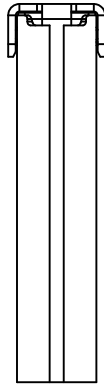


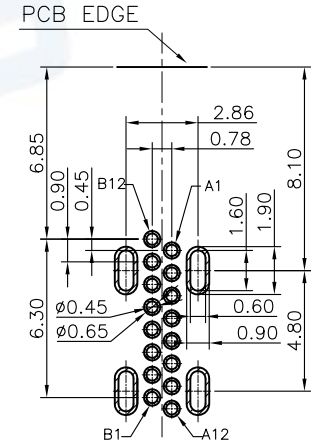
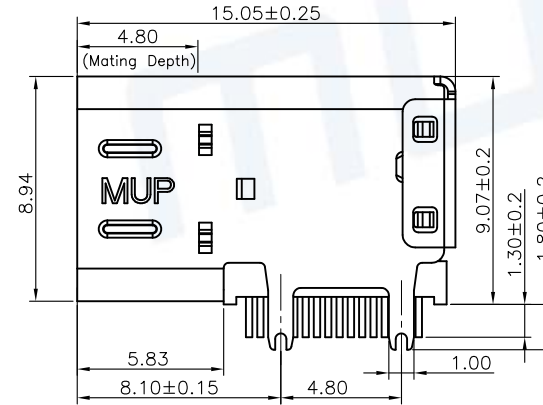
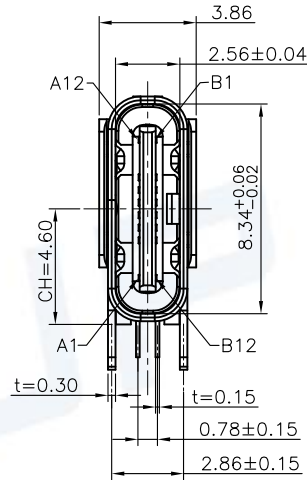
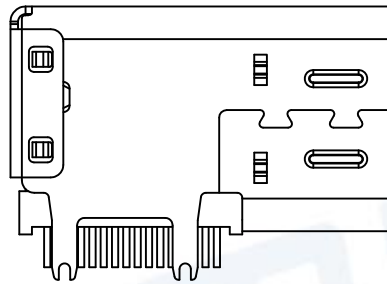
Product with CAP
1 : 2



PIN ASSINGMENTS

PIN	SINGAL NAME	PIN	SINGAL NAME
A1	GND	B12	GND
A4	VBUS	B9	VBUS
A5	CC1	B8	SBU2
A6	Dp1	B7	Dn2
A7	Dn1	B6	Dp2
A8	SBU1	B5	CC2
A9	VBUS	B4	VBUS
A12	GND	B1	GND

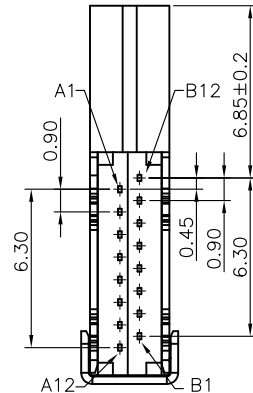
REV.	DESCRIPTION OF REVISIONS	APPR.	CHKD.	DRAW.	DATE
△	Original reversion	lucky	lucky	Roy	2022.02.24



RECOMMENDED P.C.B. LAYOUT
TOLERANCE UNSPECIFIED ±0.05mm

NOTE:

- MECHANICAL:
 - MATING FORCE: 0.5~2.0Kgf
 - UMMATING FORCE: Initial: 0.8~2.0Kgf
After 500 to 10,000cycles: 0.6~2.0Kgf
 - FREQUENCY: 500±50 CYCLES/HOUR, 10000 CYCLES;
- ELECTRICAL CHARACTERISTICS:
 - CURRENT RATING: 5.0A Max.
 - INITIAL CONTACT RESISTANCE: 40mΩ Max.
 - INSULATION RESISTANCE: 100MΩ MIN AT 500V DC
 - WITHSTANDING VOLTAGE: 100V AC, 1 MINUTE;
- ENVIRONMENTAL
TEMPERATRUER RANGE: -40°C TO +85°C.



NO.	DESCRIPTION	MATERIAL	REMARKS	QTY
4	SHELL	STAINLESS STEEL	NI Plated	1PCS
3	MID-PLATE	STAINLESS STEEL	Cleaning	1PCS
2	CONTACT	COPPER ALLOY	Au/Ni Plated	2SET
1	HOUSING	HIGH TEMPERATURE PLASTIC	BLACK	1PCS

Unless Otherwise specified, other tolerance are:

MUP MUP INDUSTRIAL CO.,LTD.

NAME: **USB Type C Side Vertical Receptacle**

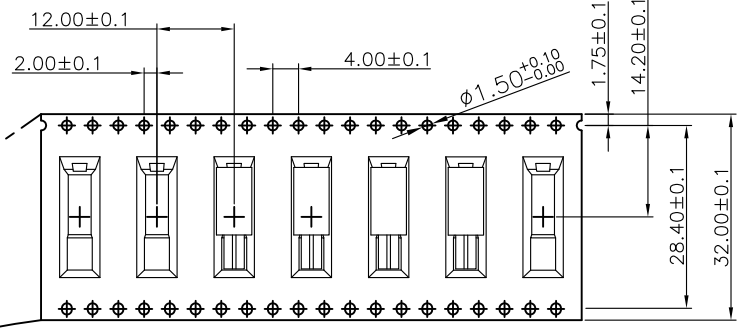
MODEL No: **MUP-U23401-5**

TYPE : **16Pin & Shell feet of Straight & CH=4.60**

APPR.	LUCKY/2022.02.24	PRAT NO.:	U23401-5	DWG NO.:	DWG-U23401-5-001
CHKD.	LUCKY/2022.02.24	PROJ.	UNIT	SCALE	SHEET
DRAW.	Roy/2022.02.24		mm	1:1	1/2
					REVISION
					1

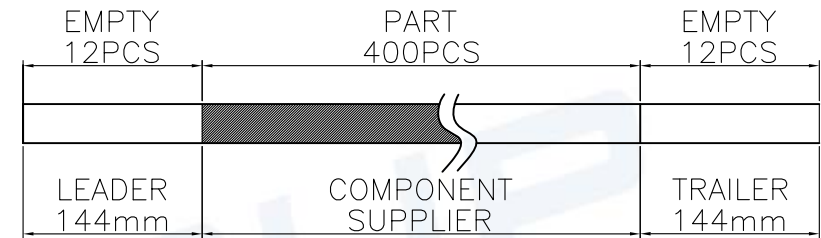


REV.	DESCRIPTION OF REVISIONS	APPR.	CHKD.	DRAW.	DATE
△	Original reversion	lucky	lucky	Roy	2022.02.24

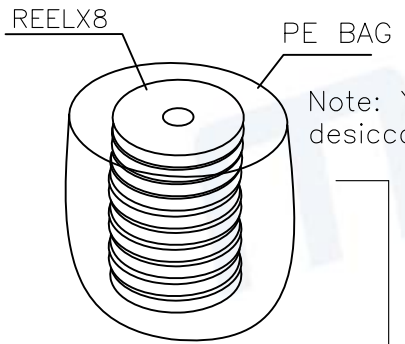
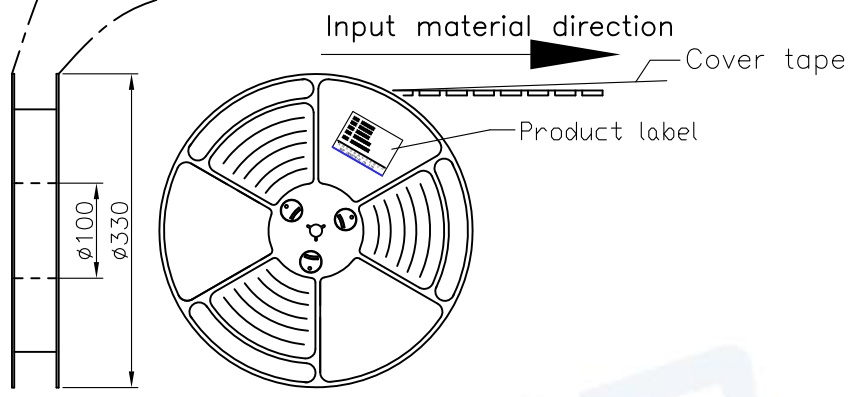


NOTES

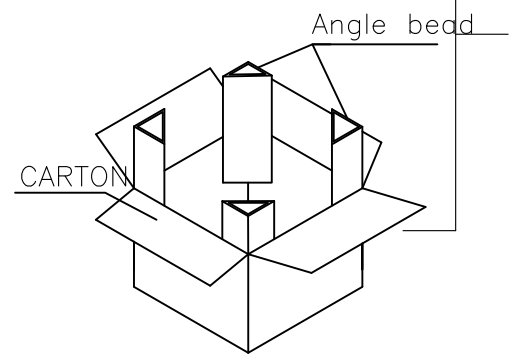
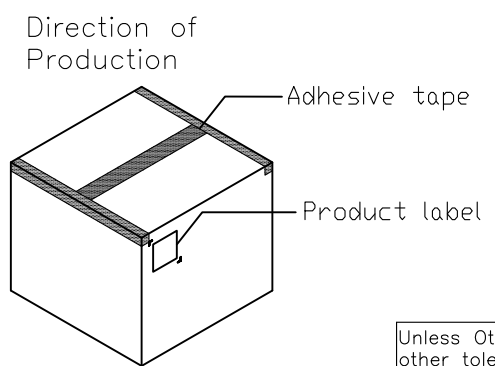
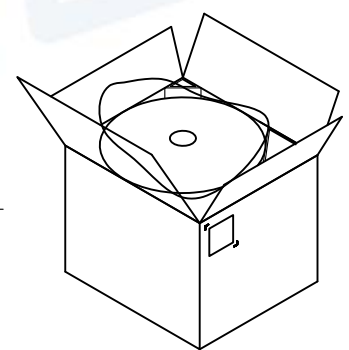
1. NUMBER OF CONNECTORS:400PCS/REEL
2. LEAD TAPE LENGTH



3. QUANTITY:3200/CARTON



Note: You should put two desiccants in each PE bag



Unless Otherwise specified, other tolerance are:

X.	±0.40	X'	±5°
X.X	±0.30	X.X'	±4°
X.XX	±0.25	X.XX'	±3°
X.XXX	±0.15	X.XXX'	±2°

MUP MUP INDUSTRIAL CO.,LTD.

NAME: **USB Type C Side Vertical Receptacle**

MODEL No: **MUP-U23401-5**

TYPE : **16Pin &Shell feet of Straight &CH=4.60**

APPR. LUCKY/2022.02.24

CHKD. LUCKY/2022.02.24

DRAW. Roy/2022.02.24

PRAT NO.: U23401-5

DWG NO.: DWG-U23401-5-001

PROJ. UNIT mm SCALE 1:1 SHEET 2/2 REVISION 1



X-ON Electronics

Largest Supplier of Electrical and Electronic Components

Click to view similar products for [USB Connectors](#) category:

Click to view products by [Murata](#) manufacturer:

Other Similar products are found below :

[950](#) [A-USB A-LP-SMT-C](#) [A-USB B-TOP-C](#) [MUSBD11135](#) [17-200721](#) [217450-1](#) [KMBVX-TH-5S-B30](#) [KUSBX-AS2N-W](#) [KUSBX-SMT2AP1S-W30](#) [935](#) [957](#) [30-498-6](#) [SK-60A-2](#) [1734082-1](#) [30-470](#) [30-489](#) [30-541](#) [MAB 5 S](#) [A-USB A-2P-C](#) [MIKROE-1451](#)
[USBFTVSCCG](#) [1-1734084-2](#) [MUSBA81130](#) [NK-27-32SL](#) [NK-L8-22C-5/8](#) [10135326-001LF](#) [4198](#) [690-024-633-031](#) [UB-20PMFP-LC7001](#)
[17-200011](#) [UB-20AFMM-LL7A01](#) [CAP-WCCMLPB1](#) [CAP-WCCMLPC1](#) [2274475-3](#) [914-614A2025S10200](#) [USB3FTV7SAGF059](#)
[USB3FTV2SAZNF459](#) [USB3FTV7SAZNF459](#) [HYCW153-USBD05-500B](#) [HYCW219-USBD05-075B](#) [HYCW148-USBD05-117B](#)
[HYCW149-USBD05-740B](#) [HYCW204-USBD05-108B](#) [HYCW214-USBA04-113B](#) [HYCW213-USBA04-113B](#) [KMMX-BSMT35S-1-B30TR](#)
[2345986-1](#) [10082141-N340LF](#) [10117836-011LF](#) [GSB3C3133DSYHR](#)