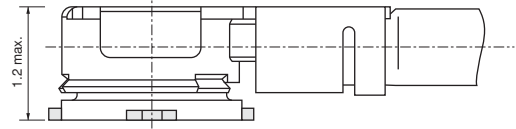
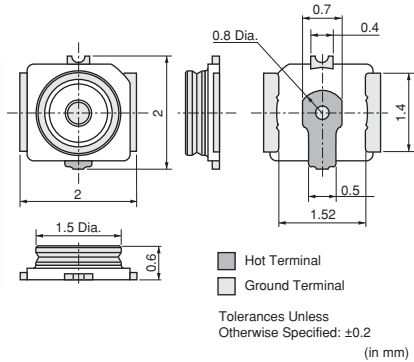


# Microwave Coaxial Connectors

## Microwave Coaxial Cable Connectors

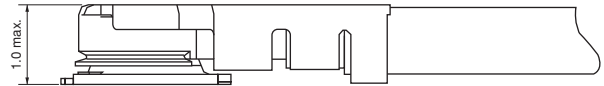
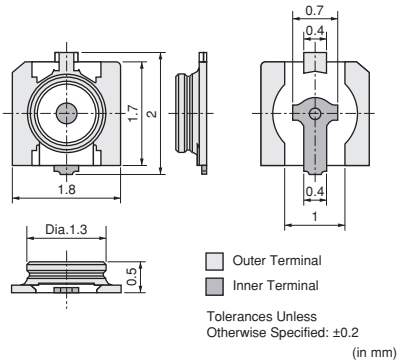
MM4829-2702



(in mm)

Dimensions

MM5829-2700



(in mm)

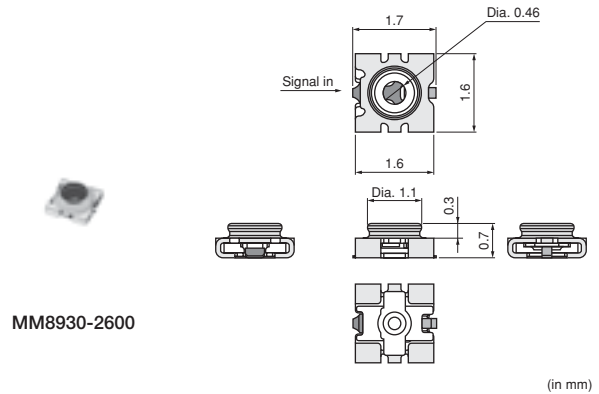
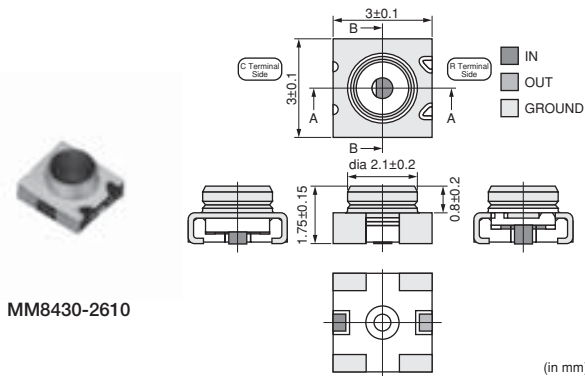
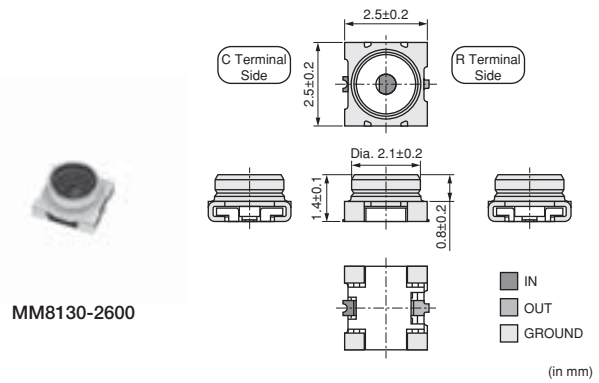
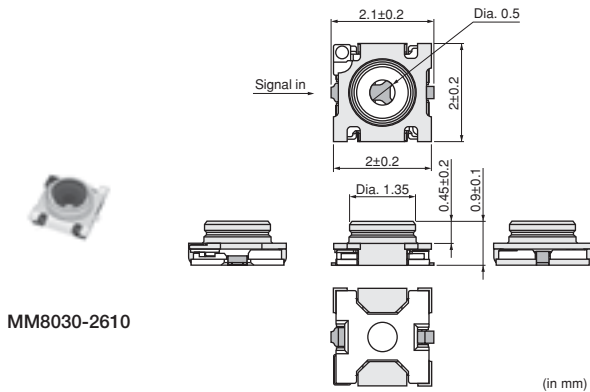
Dimensions

Part Number	Rated Voltage (Vrms)	Frequency Rating (GHz)	Temperature Range	VSWR
MM4829-2702	30	to 6.0	-40 to +85°C	1.3 max. (DC to 3GHz)
MM5829-2700	30	to 12	-40 to +85°C	1.3 max. (DC to 3GHz)
MXHP32_____	30	to 6.0	-40 to +85°C	1.3 max. (DC to 3GHz)
MXJA01_____	30	to 12	-40 to +85°C	1.3 max. (DC to 3GHz)

Impedance: 50ohm

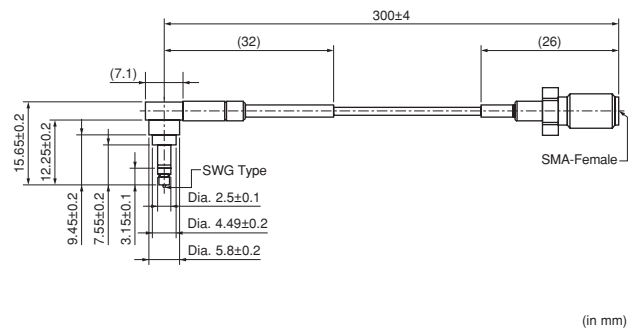
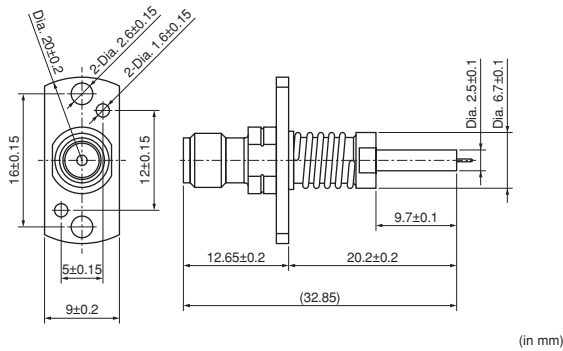
# Microwave Coaxial Connectors

## Microwave Coaxial Connectors with Switch



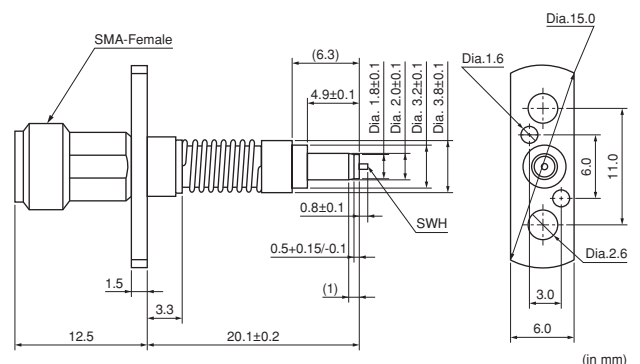
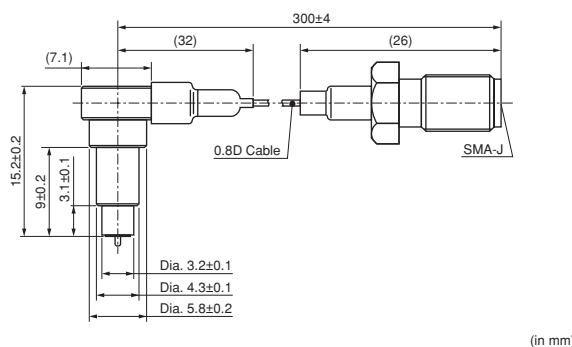
Measurement Probe for MM8030-2610/MM8130-2600/MM8430-2610 (P/N: MM126320)

Measurement Probe for MM8030-2610 (P/N: MXHQ87WJ3000)



Measurement Probe for MM8130-2600/MM8430-2610 (P/N: MXHS83QE3000)

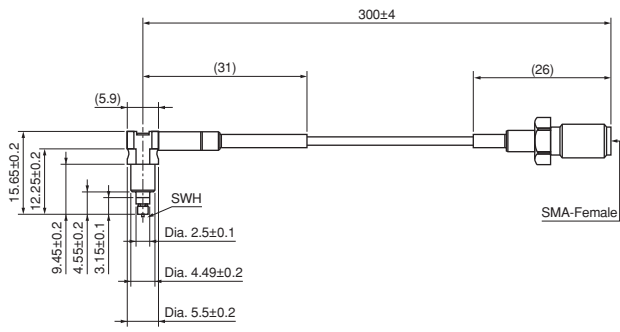
Measurement Probe for MM8930-2600 (P/N: MM126515)



⚠Note • Please read rating and ⚠CAUTION (for storage, operating, rating, soldering, mounting and handling) in this catalog to prevent smoking and/or burning, etc.  
 • This catalog has only typical specifications. Therefore, please approve our product specifications or transact the approval sheet for product specifications before ordering.

☐ Continued from the preceding page.

**Measurement Probe for MM8930-2600**  
**(P/N: MXHQ87PA3000)**



(in mm)

Part Number	Rated Voltage (Vrms)	Frequency Rating (GHz)	Temperature Range	VSWR
MM8030-2610	30	to 11	-40 to +85°C	1.2 max. (DC to 3GHz)
MM8130-2600	30	to 6	-40 to +85°C	1.2 max. (DC to 3GHz)
MM8430-2610	30	to 6	-40 to +85°C	1.2 max. (DC to 3GHz)
MM8930-2600	30	to 6	-40 to +85°C	1.2 max. (DC to 3GHz)

Impedance: 50ohm

## X-ON Electronics

Largest Supplier of Electrical and Electronic Components

*Click to view similar products for [RF Cable Assemblies](#) category:*

*Click to view products by [Murata](#) manufacturer:*

Other Similar products are found below :

[73-6352-10](#) [73-6353-3](#) [73-6364-6](#) [R285001001](#) [R288940004](#) [145111-05-12.00](#) [1661-C-24](#) [1801171170914KE](#) [24P104C24J1-012](#)  
[24P104C24P1-006](#) [24P104C24P1-018](#) [24P204C24J1-003](#) [172-2150-EX](#) [1800920920914PJ](#) [FCB-3030-ALT](#) [21117-046](#) [21117-050](#) [PCX-24-](#)  
[50](#) [24P103C24P2-003](#) [25P203C25P2-003](#) [PTWY-24-78](#) [R284008001](#) [R285001021](#) [R285426000](#) [R288940003](#) [R288940008](#) [RF179-74BJ3-](#)  
[77RP1-0305](#) [4814-BB-24](#) [5260-72](#) [JT2N1-CL1-1F](#) [DLP-COAX1](#) [4814-K-48](#) [115101-09-06.00](#) [MXHT83QE3000](#) [CCNTN2-MM-LL335-26](#)  
[73-6351-25](#) [73-6352-3](#) [73-6353-25](#) [1800920920610PJ](#) [GD0BQ0BQ024.0](#) [1-3636-600-5210](#) [TL8A-11SMA-11SMA-01500-51](#)  
[R284C0351060](#) [R288940009](#) [R284C0351028](#) [R288940002](#) [9702-1SL-1](#) [PT82NSMA](#) [73-6353-10](#) [R285020301W](#)