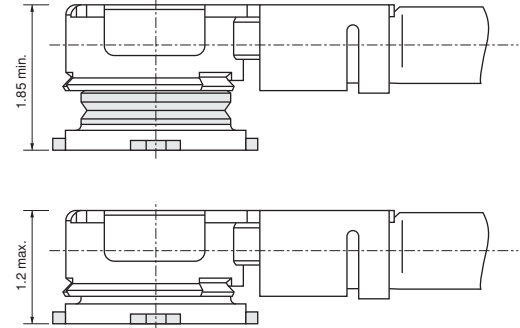
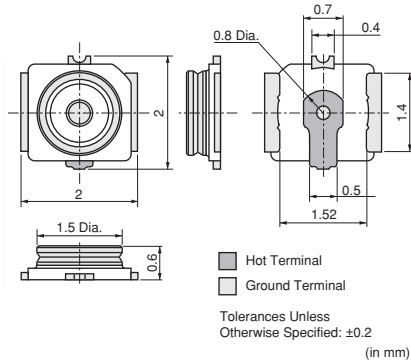


Microwave Coaxial Connectors



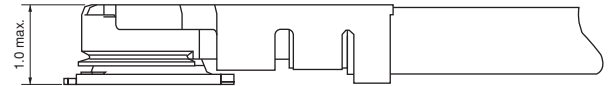
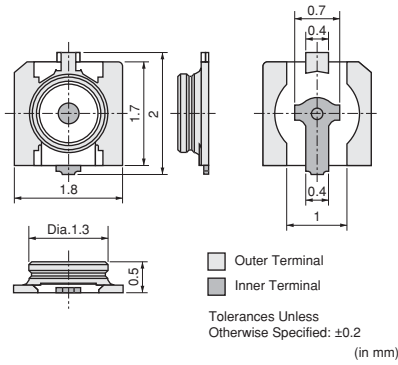
Coaxial Cable Connectors

MM4829-2702



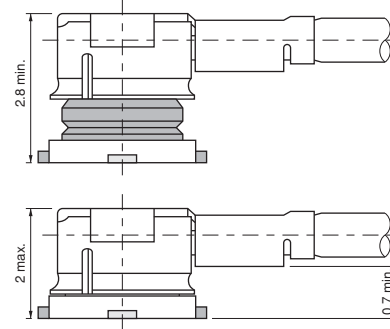
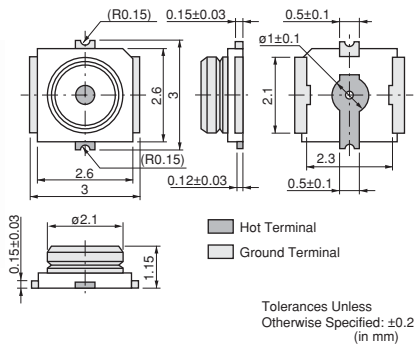
Dimensions

MM5829-2700



Dimensions

MM9329-2700



Dimensions

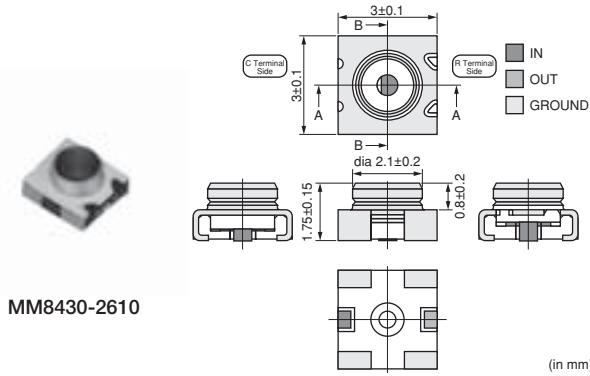
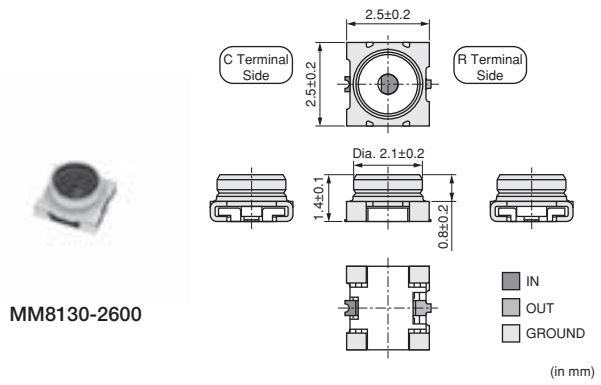
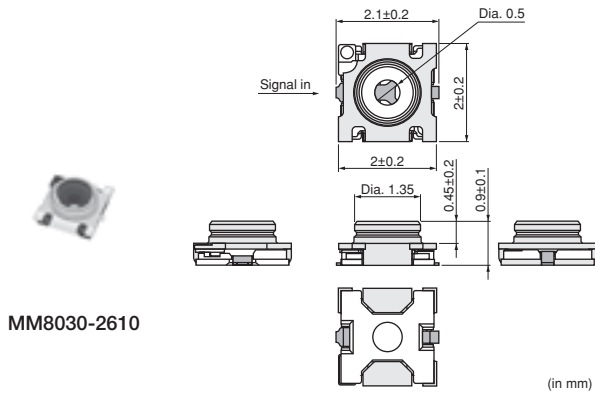
Part Number	Rated Voltage (Vrms)	Frequency Rating (GHz)	Temperature Range	VSWR
MM4829-2702	30	to 6.0	-40 to +85°C	1.3 max. (DC to 3GHz)
MM5829-2700	30	to 12	-40 to +85°C	1.3 max. (DC to 3GHz)
MM9329-2700	30	to 6.0	-40 to +90°C	1.2 max. (DC to 3GHz)
MXHP32	30	to 6.0	-40 to +85°C	1.3 max.(DC to 3GHz)
MXJA01	30	to 12	-40 to +85°C	1.3 max.(DC to 3GHz)
MXTK92	30	to 6.0	-40 to +90°C	1.2 max.(DC to 3GHz)

Impedance: 50ohm

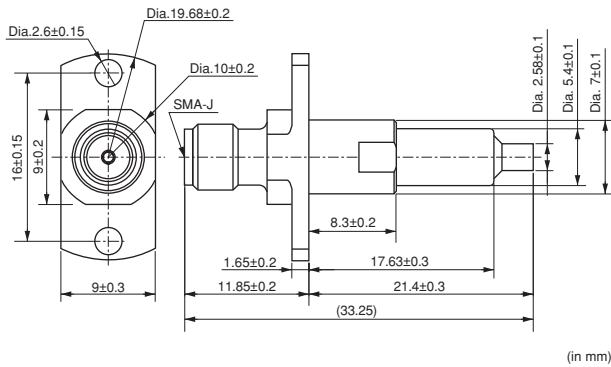
Microwave Coaxial Connectors



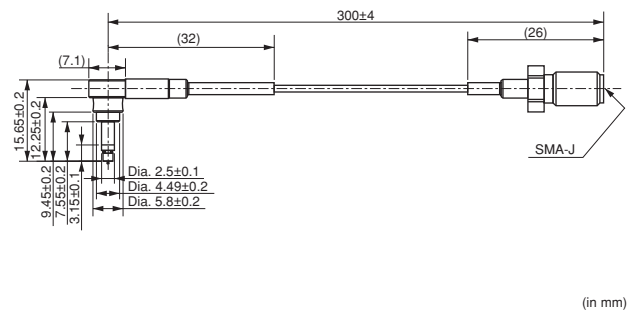
Coaxial Connectors with Switch



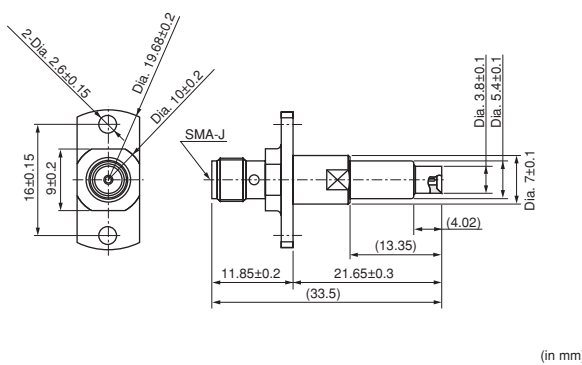
Measurement Probe for MM8030-2610
 (P/N: MM126310)



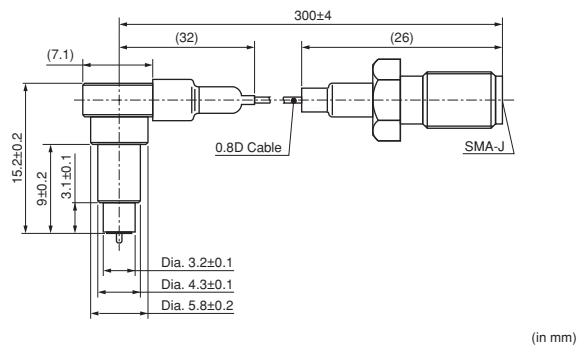
Measurement Probe for MM8030-2610
 (P/N: MXHQ87WA3000)



Measurement Probe for MM8130-2600/MM8430-2610
 (P/N: MM126036)

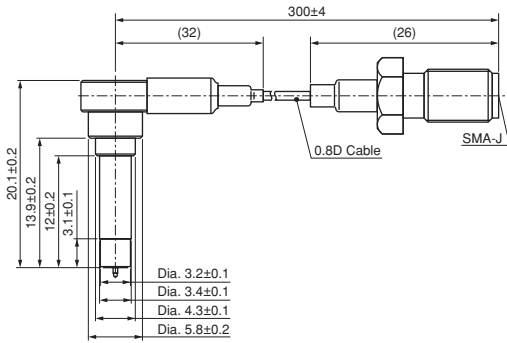


Measurement Probe for MM8130-2600/MM8430-2610
 (P/N: MXHS83QE3000)



☐ Continued from the preceding page.

**Measurement Probe for MM8130-2600/MM8430-2610
 (P/N: MXHS83QH3000)**



(in mm)

Part Number	Rated Voltage (Vrms)	Frequency Rating (GHz)	Temperature Range	VSWR (1)
MM8030-2610	30	to 11	-40 to +85°C	1.2 max. (DC to 3GHz)
MM8130-2600	30	to 6	-40 to +85°C	1.2 max. (DC to 3GHz)
MM8430-2610	30	to 6	-40 to +85°C	1.2 max.(DC to 3GHz)

Impedance: 50ohm

X-ON Electronics

Largest Supplier of Electrical and Electronic Components

Click to view similar products for [Test Probes](#) category:

Click to view products by [Murata](#) manufacturer:

Other Similar products are found below :

[6214](#) [6474](#) [815003](#) [923832-BK-B](#) [P-KIT-1](#) [KT-MS001](#) [925250-R](#) [923848-C](#) [973368101](#) [972318101](#) [972318100](#) [MXHQ87WJ3000](#) [PK106-3](#) [PK2-5MM-102](#) [TAS90](#) [VL1735/45](#) [973368100](#) [972327100](#) [972327101](#) [973995100](#) [973995101](#) [CT3982B-120](#) [MO50-PINS](#) [CT4386](#) [PP023-1](#) [PK1-5MM-127](#) [PP026-1](#) [PK103](#) [PK-ZS-013](#) [P6139B-PK10](#) [PQ215](#) [PQ218](#) [RT-ZI10C](#) [TT-SI 8071](#) [TT-SI 8050](#) [TT-SI 8010A](#) [TT-SI 7005](#) [GE.3421](#) [GE.3121](#) [GE.1511](#) [GE.1521](#) [GE.2511](#) [HVP15B](#) [TT-SI7002](#) [4005](#) [4011](#) [4012](#) [4013](#) [4014](#) [4015](#)