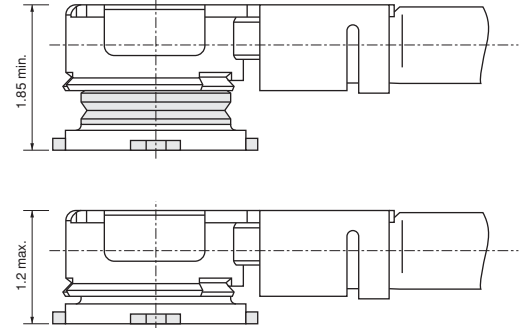
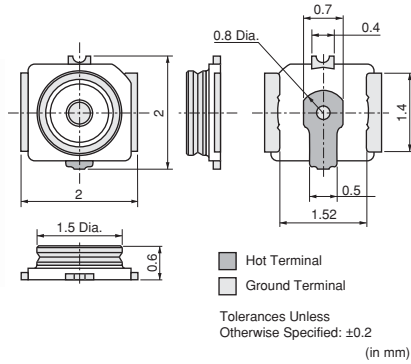


Microwave Coaxial Connectors



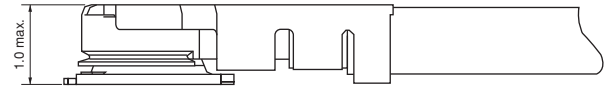
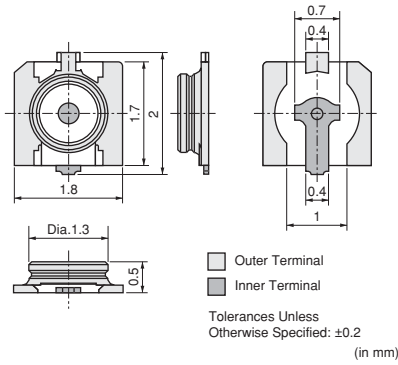
Coaxial Cable Connectors

MM4829-2702



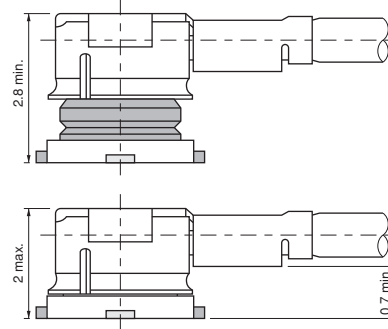
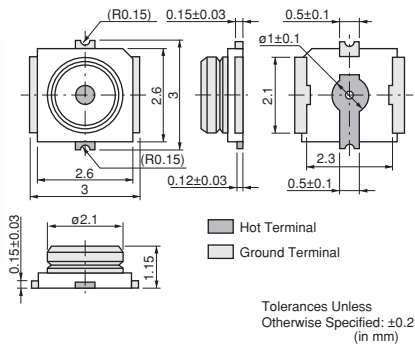
Dimensions

MM5829-2700



Dimensions

MM9329-2700



Dimensions

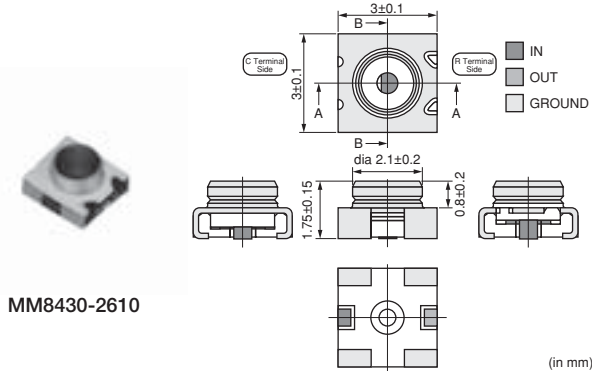
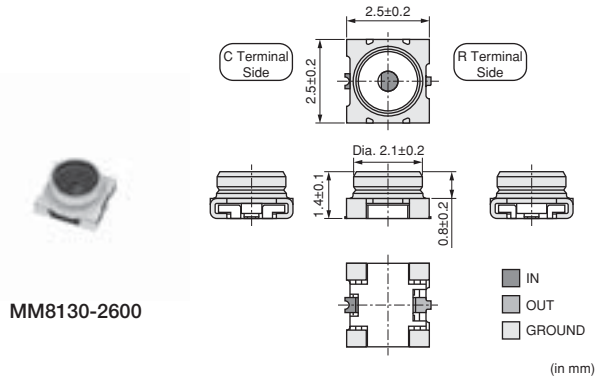
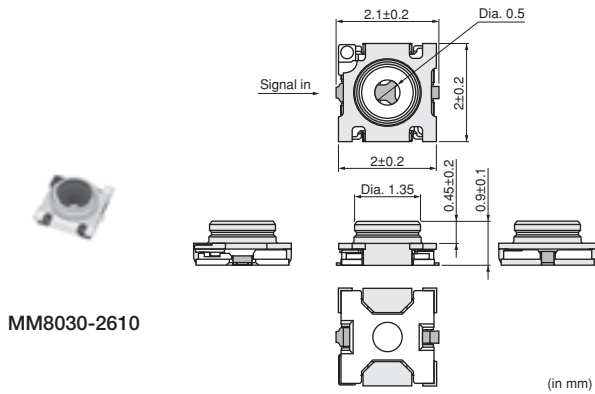
Part Number	Rated Voltage (Vrms)	Frequency Rating (GHz)	Temperature Range	VSWR
MM4829-2702	30	to 6.0	-40 to +85°C	1.3 max. (DC to 3GHz)
MM5829-2700	30	to 12	-40 to +85°C	1.3 max. (DC to 3GHz)
MM9329-2700	30	to 6.0	-40 to +90°C	1.2 max. (DC to 3GHz)
MXHP32	30	to 6.0	-40 to +85°C	1.3 max.(DC to 3GHz)
MXJA01	30	to 12	-40 to +85°C	1.3 max.(DC to 3GHz)
MXTK92	30	to 6.0	-40 to +90°C	1.2 max.(DC to 3GHz)

Impedance: 50ohm

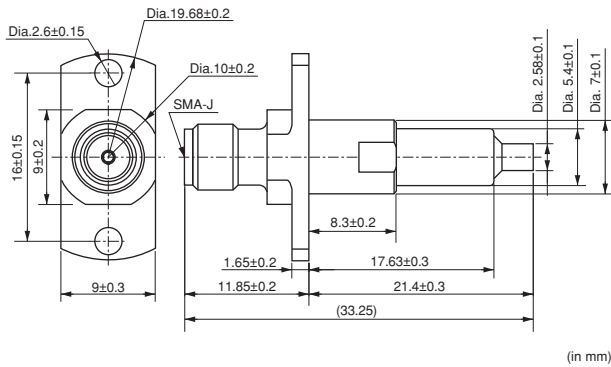
Microwave Coaxial Connectors



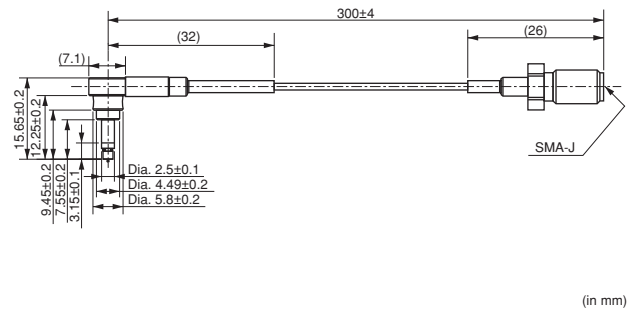
Coaxial Connectors with Switch



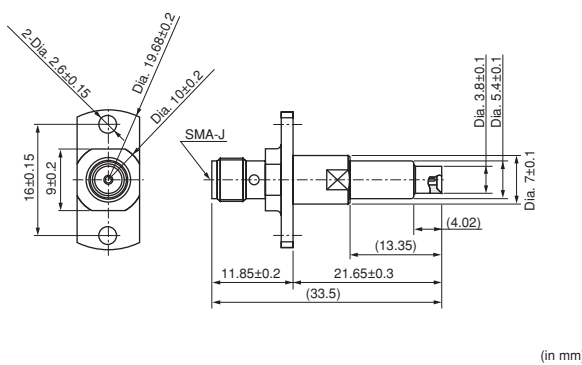
Measurement Probe for MM8030-2610
 (P/N: MM126310)



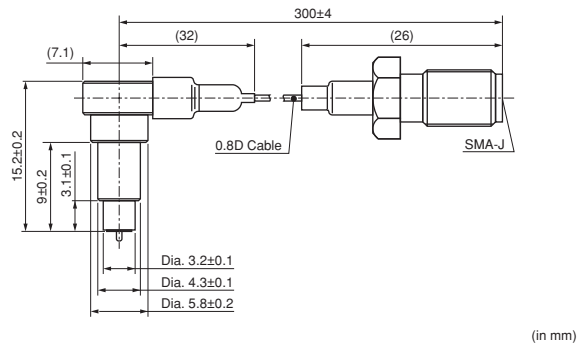
Measurement Probe for MM8030-2610
 (P/N: MXHQ87WA3000)



Measurement Probe for MM8130-2600/MM8430-2610
 (P/N: MM126036)

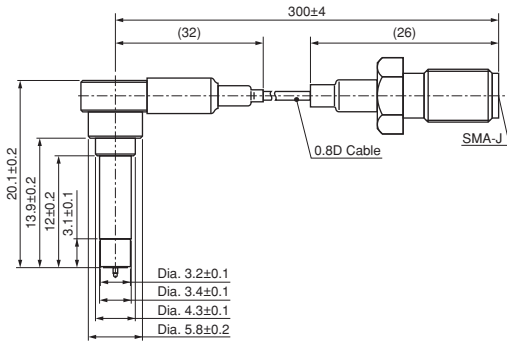


Measurement Probe for MM8130-2600/MM8430-2610
 (P/N: MXHS83QE3000)



Continued from the preceding page.

Measurement Probe for MM8130-2600/MM8430-2610
(P/N: MXHS83QH3000)



(in mm)

Part Number	Rated Voltage (Vrms)	Frequency Rating (GHz)	Temperature Range	VSWR (1)
MM8030-2610	30	to 11	-40 to +85°C	1.2 max. (DC to 3GHz)
MM8130-2600	30	to 6	-40 to +85°C	1.2 max. (DC to 3GHz)
MM8430-2610	30	to 6	-40 to +85°C	1.2 max.(DC to 3GHz)

Impedance: 50ohm

X-ON Electronics

Largest Supplier of Electrical and Electronic Components

Click to view similar products for [Test Connectors](#) category:

Click to view products by [Murata](#) manufacturer:

Other Similar products are found below :

[5739](#) [MXHS83QE1000](#) [1691](#) [M08SW](#) [M10X100](#) [4247](#) [MM126037](#) [4726](#) [5747](#) [MM126511](#) [MM126527](#) [2375380-1](#) [100045-045-958](#) [3743](#)
[MXHS83QE3000](#) [M19100](#) [4320-01069-0](#) [3302](#) [783538-01](#) [3602](#) [3719](#) [4226](#) [4245](#) [4246](#) [4903](#) [MXFR01JA1000](#) [911](#) [BF-5](#) [M19201](#)
[MM126317](#) [MM126515](#) [MM126518](#) [MM126526](#) [MM126711](#) [MM126715](#) [MXHS83QH3000](#) [BF-1](#) [BF-3](#) [BS-1](#) [A9663](#) [3316](#) [3603](#) [3862-0](#)
[3862-0#](#) [4115](#) [4655](#) [5130](#) [5532](#) [5678-K-48](#) [6232A](#)