

Typical unit

FEATURES

- Input voltage ranges from 8.0-16.0Vdc
(Absolute maximum input voltage : 40.0Vdc)
- Programmable output voltage from 3.3-5.0Vdc
- Up to 4 Amps of output current
- Quick response to load change
- Ultra small surface mount package
10.5 x 9.0 x 5.5mm
- High efficiency of 94%(12.0Vin/5.0Vout/4.0Aout)
- Outstanding thermal derating performance
- Over current protection
- On/Off control (Positive logic)
- Power Good signal
- RoHS-6 hazardous substance compliance

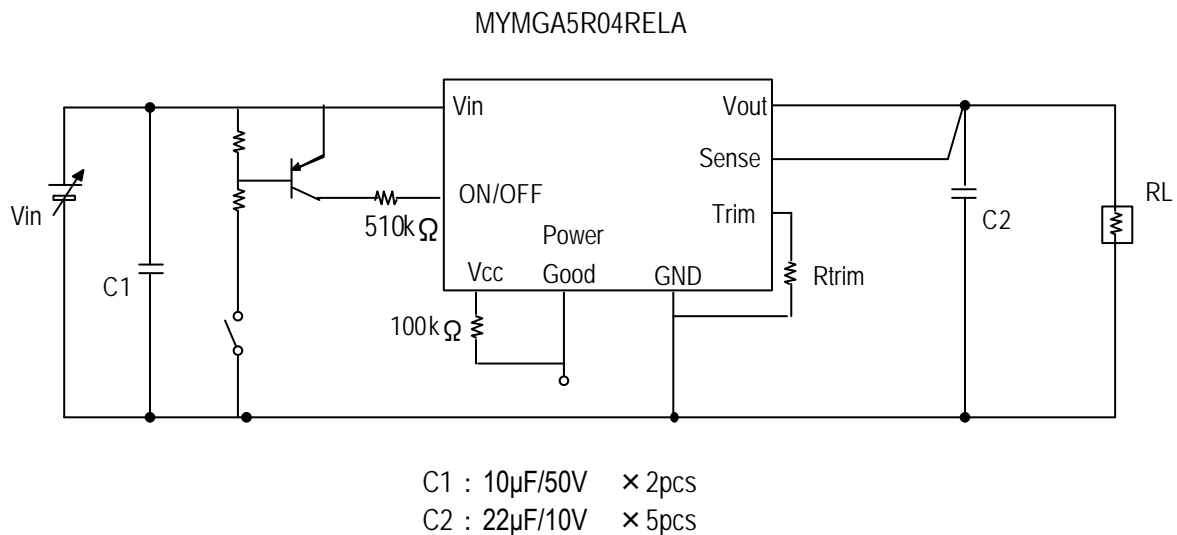
PRODUCT OVERVIEW

The **MYMGA5R04RELA5RA** are miniature MonoBlock type non-isolated Point-of-Load (PoL) DC-DC power converters for embedded applications. The tiny form factor measures only 10.5 x 9.0 x 5.5 mm. Applications include powering FPGA/CPU's, datacom/telecom, Distributed Bus Architectures (DBA), programmable logic and mixed voltage systems.

The converters have input voltage ranges of 8.0 to 16.0Vdc (absolute maximum input voltage : 40.0Vdc) and a maximum output current of 4 Amps. Based on a fixed frequency synchronous buck converter switching topology, this high power conversion efficient PoL module features programmable output voltage 3.3 to 5.0V, On/Off control and Power Good signal output.

These converters also include under voltage lock out (UVLO), output short circuit protection and over-current protection.

SIMPLIFIED APPLICATION



(Typical topology is shown. Murata recommends an external fuse.)

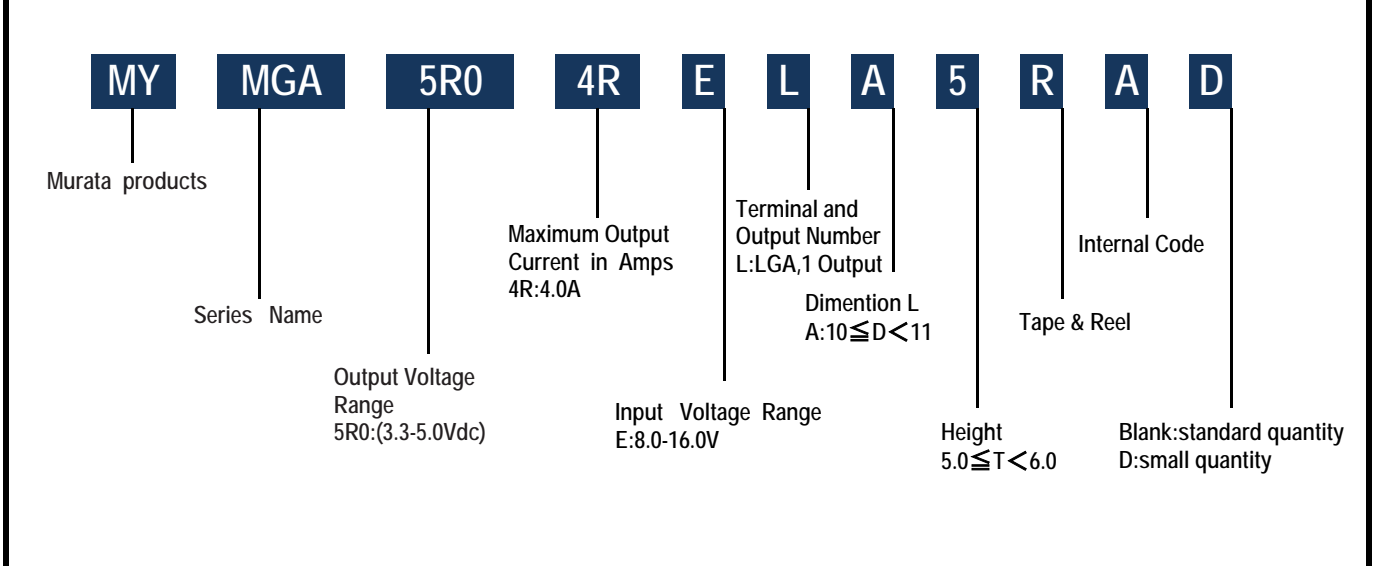


PERFORMANCE SPECIFICATIONS SUMMARY AND ORDERING GUIDE (Including series products)

PART NUMBER	OUTPUT						INPUT				Efficiency (%)	ON/OFF	PACKAGE (mm)
	Vout (Vdc)	Iout (Amps,max)	Power (Watts)	R/N typ (% of Vout)	Regulation(max)		Vin nom (Vdc)	Range (Vdc)	Iin no load (mA)	Iin full load (A)			
					Line(%)	Load(%)							
MYMGA5R04RELA5RA	3.3-5.0 (nom:5.0V)	4	20	1.0 (at 4A)	±1.0	±1.0	12	8-16	0.5	1.78	94	Yes (Positive)	10.5*9.0*5.5
MYMGA5R04RELA5RAD	3.3-5.0 (nom:5.0V)	4	20	1.0 (at 4A)	±1.0	±1.0	12	8-16	0.5	1.78	94	Yes (Positive)	10.5*9.0*5.5

1. Please refer to the Part Number Structure for additional ordering information and options.
2. All specifications are at nominal line voltage, Vout=nominal and full load, +25degC unless otherwise noted. Output capacitors are 22uF*5 ceramic. Input cap is 10 uF*2 ceramic and plenty electrolytic capacitors. See detailed specifications. I/O caps are necessary for our test equipment.
3. Use adequate ground plane and copper thickness adjacent to the converter.

PART NUMBER STRUCTURE



Product Marking

Because of the small size of these products, the product marking contains a character-reduced code to indicate the model number and manufacturing date code. Not all items on the marking are always used. Please note that the marking differs from the product photograph. Here is the layout of the Marking.

Part Number	Product Code
MYMGA5R04RELA5RA	MGA5R04RELA
MYMGA5R04RELA5RAD	MGA5R04RELA



- Codes (reference)**
- Ⓜ 1Pin Marking
 - MGA5R04RELA Product code (Please see product code table beside)
 - internal manufacturing data code

FUNCTIONAL SPECIFICATIONS OF MYMGA5R04RELA (Note 1)

ABSOLUTE MAXIMUM RATINGS	Conditions	Minimum	Typical	Maximum	Units
Input Voltage		-0.3	-	40	Vdc
ON/OFF Pin	Power on, referred to -Vin	-0.3		Vin-1.5	Vdc
PGOOD/Trim Pins	Power on, referred to -Vin		Source ONLY		
Output Current See Note2	Current-limited, no damage, short-circuit protected	0		4	A
Storage Temperature Range	Vin = Zero (no power)	-40		85	°C
Absolute maximums are stress ratings. Exposure of devices to greater than any of these conditions may adversely affect long-term reliability. Proper operation under conditions other than those listed in the Performance/Functional Specifications Table is not implied or recommended.					
INPUT	Conditions	Minimum	Typical	Maximum	Units
Operating Voltage Range	Note9	8	12	16	Vdc
Start-up threshold	Rising input voltage	3.5	4	4.5	Vdc
Undervoltage shutdown	Note 13	2.6	3.1	3.6	Vdc
Internal Filter Type			Capacitive		
Input current					
Full Load Conditions	Vin = 12V, Iout = 4A		1.78		A
Low Line	Vin = 8V, Iout = 4A		2.63		A
No Load Current	Iout = minimum, unit = ON		0.5		mA
Shut-Down Mode Input Current	Note 14		10		uA
GENERAL and SAFETY	Conditions	Minimum	Typical	Maximum	Units
Efficiency	Vin = 12.0V, Vout = 5.0V, Io = 4A		94		%
Safety	Certified to UL-60950-1, CSA-C22.2 No. 60950-1, IEC/EN60950-1, 2nd edition(pending)		Pending		
Calculated MTBF (Note 3)	Ta=40degC, Vin=nom, Vo=nom, Io=50%		2,249,363		Hours
DYNAMIC CHARACTERISTICS	Conditions	Minimum	Typical	Maximum	Units
Fixed Switching Frequency	Vin = 12.0V, Vout = 5.0V, Io = 4A		400		kHz
Startup Time (Vin ON)	Vout = nominal (Vin On to 90% of Vo)		see the graph		mS
Startup Time (Remote ON)	Vout = nominal (Remote On to 90% of Vo)				mS
Dynamic Load Response	(50-100% load step, di/dt)		2.5		A/μSec
Dynamic Load Peak Deviation	same as above		+/-3%		Voset
FUNCTIONS	Conditions	Minimum	Typical	Maximum	Units
Remote On/Off Control (Note 4)					
Logic					
ON state	ON = +1.8Vmin. to +Vin-1.5V max. or leve open	1.5		6	V
OFF state	OFF = -0.3V to +0.6V.max.	-0.3		0.6	V
Control Current	Open collector/drain			-	mA
Power-Good Output (Pulled up to 5.0Vreg(TYP) internally)					
PGood TRUE (HI)			(Voset * 93%) < Vout		V
PGood FALSE (LO)			Out of above range		V

FUNCTIONAL SPECIFICATIONS OF MYMGA5R04RELA (Note 1)

OUTPUT	Conditions	Minimum	Typical	Maximum	Units
Total Output Power	See Derating	0		20	W
Voltage					
Output Voltage Range	Note 9,11	3.3		5	Vdc
Minimum Loading			None		
Accuracy (50% load, untrimmed)	Vin = nom., Vout = nom., Cout=110uF, Ta=25degC		±1.0%		Vdc
Current					
Output Current Range	Note 2	0		4	A
Current Limit Inception			6		A
Short Circuit					
Short Circuit Duration (remove short for recovery)	Output shorted to ground, no damage		Continuous		
Short circuit protection method	Note 5		Hiccup		
Prebias Start-up		Converter will start up if the external output voltage is less than Vout nominal.			
Regulation (Note8)					
Line Regulation	Vin = min. to max., Vout = nom., Iout = nom.			±5.0	% of Vout
Ripple and Noise (20MHz bandwidth)	Note 6		100	200	mV pk-pk
External Output Capacitance (Note 12)		100		470	µF
MECHANICAL(Common)	Conditions	Minimum	Typical	Maximum	Units
Mechanical Dimension	W*D*H	10.5(typ)x9.0(typ)x5.6(max)			mm
Weight			1.5		Grams
ENVIRONMENTAL(Common)	Conditions	Minimum	Typical	Maximum	Units
Operating Ambient Temperature Range	With Derating (Note 2,7)	-40		125	°C
Storage Temperature	Vin = Zero (no power)	-40		85	°C
Thermal Protection/Shutdown	Measured in center(Note10)		150		°C
Moisture Sensitivity Level			3		
RoHS rating			RoHS-6		

Specification Notes

(1) Specifications are typical at +25degC, Vin=nominal +12V, Vout=nominal (+5.0V), full load, external caps and natural convection unless otherwise indicated. Extended tests at full power must supply substantial natural airflow. All models are tested and specified with external 22uF*5 ceramic output capacitors and a 10 uF*2 ceramic and plenty electrolytic external input capacitors. All capacitors are low ESR types. These capacitors are necessary to accommodate our test equipment and may not be required to achieve specified performance in your applications. However, Murata recommends installation of these capacitors. All models are stable and regulate within spec under no-load conditions.
 (2) Note that Maximum Power Derating curves indicate an average current at nominal input voltage. At higher temperatures and/or lower airflow, the DC/DC converter will tolerate brief full current outputs if the total RMS current over time does not exceed the Derating curve.
 (3) Mean Time Between Failure is calculated using the MIL-HDBK-217, Tpcbboard = +40degC, half output load, natural air convection.
 (4) The On/Off Control Input should use either a switch or an open collector/open drain transistor referenced to Input Common. A logic gate may also be used by applying appropriate external voltages which do not exceed +Vin
 (5) "Hiccup" overcurrent operation repeatedly attempts to restart the converter with a brief, full-current output. If the overcurrent condition still exists, the restart current will be removed and then tried again. This short current pulse prevents overheating and damaging the converter. Once the fault is removed, the converter immediately recovers normal operation.

(6) Output noise may be further reduced by adding an external filter. At zero output current, the output may contain low frequency components which exceed the ripple specification. The output may be operated indefinitely with no load.
 (7) All models are fully operational and meet published specifications, including "cold start" at -40degC.
 (8) Regulation specifications describe the deviation as the line input voltage or output load current is varied from a nominal midpoint value to either extreme.
 (9) Other input or output voltage ranges will be reviewed under scheduled quantity special order.
 (10) Maximum PC board temperature is measured with the sensor in the center of the converter.
 (11) Do not exceed maximum power specifications when adjusting the output trim.
 (12) The maximum output capacitive loads depend on the Equivalent Series Resistance (ESR) of the external output capacitor and, to a lesser extent, the distance and series impedance to the load. Larger caps will reduce output noise but may change the transient response. Newer ceramic caps with very low ESR may require lower capacitor values to avoid instability. Thoroughly test your capacitors in the application. Please refer to the Output Capacitive Load Application Note.
 (13) Do not allow the input voltage to degrade lower than the input under voltage shutdown voltage at all times. Otherwise, you risk having the converter turn off. The under voltage shutdown is not latching and will attempt to recover when the input is brought back into normal operating range.
 (14) The value is valid when the input voltage shutdown under opened the ON/OFF pin.

Internal Circuit Diagrams

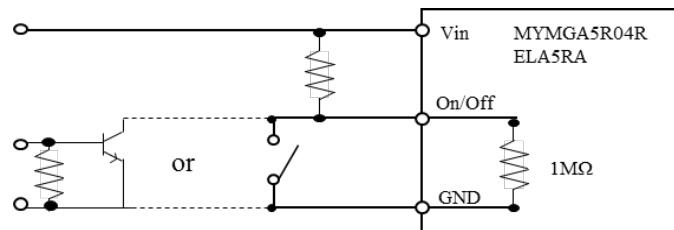
ON/OFF using guide

By using ON/OFF function, the operation of this product can be disabled without disconnection of input Voltage.

ON/OFF control uage

- ON/OFF pin(9pin) are pull-up : Output Voltage = ON
- ON/OFF pin(9pin) are connected to GND : Output Voltage =

Example



It is strongly recommended that on/off terminal should be used when you turn on/off this product. Characteristics may be affected by turning input voltage on/off. Please check product operation on your application with turning

PowerGood(P.G) using guide

PW Good terminal is pulled up to Vcc terminal. The value of resistance of pull up is 100kΩ.

When this product is in following situation, the Power Good signal appears at the No.7 pin.

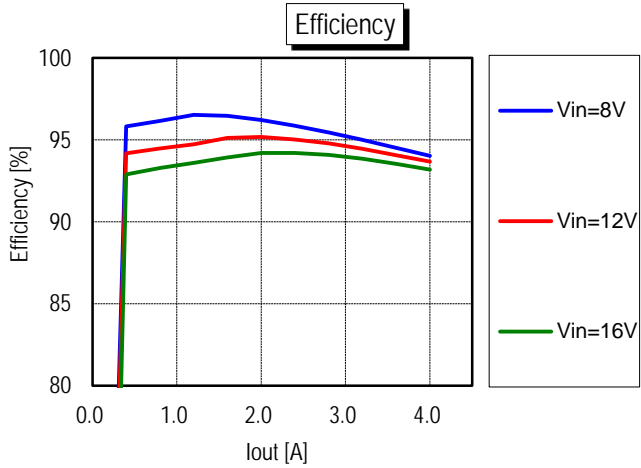
- Output voltage is within voltage detection threshold: PW Good pin is on open-drain.
- Output Voltage is out of voltage detection threshold: PW Good pin is connected to GND.
- Soft-start is active: PW Good pin is connected to GND.
- An under voltage condition exists for the DC-DC converter: PW Good pin is connected to GND.
- A overcurrent condition has been detected: PW Good pin is connected to GND.
- Die temperature is over (170degC) : PW Good pin is connected to GND.

Max impressed voltage at Power Good terminal.

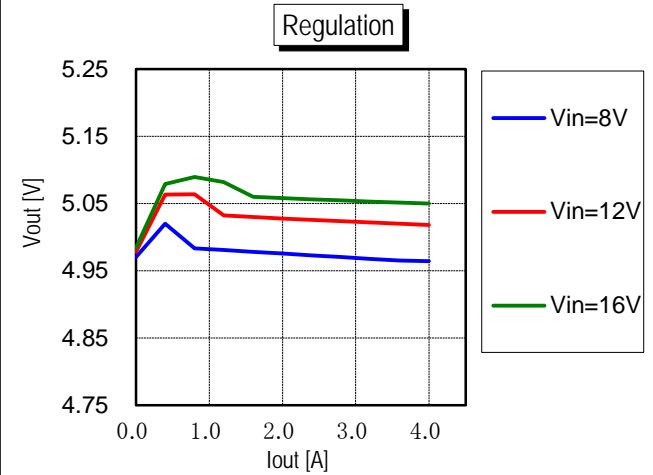
$$\text{MAX} : V_{cc}(4.85V_{\text{typ}}) + 0.6V$$

PERFORMANCE DATA AND OSCILLOGRAMS OF MYMGA5R04RELA

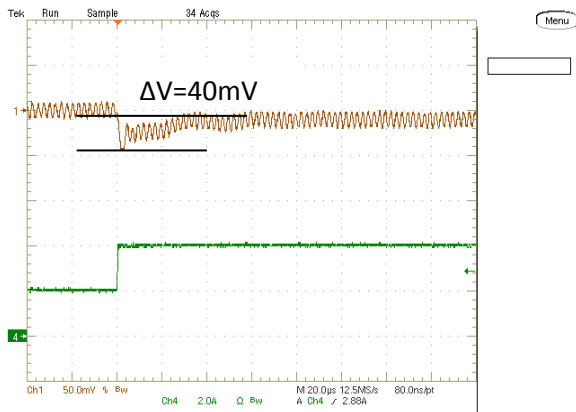
Efficiency vs. Line Voltage and Load Current @ +25° C. (Vout = 5.0V)



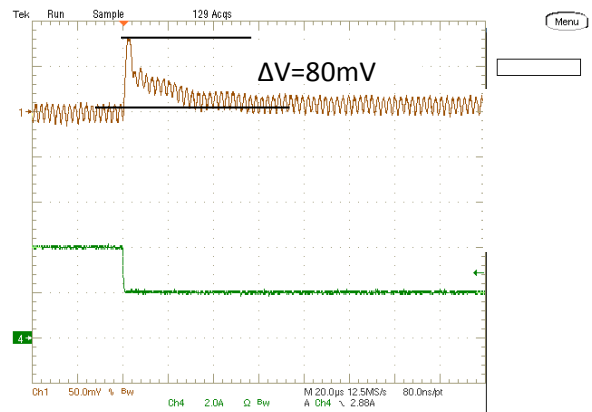
Vout vs. Line Voltage and Load Current @ +25° C. (Vout = 5.0V)



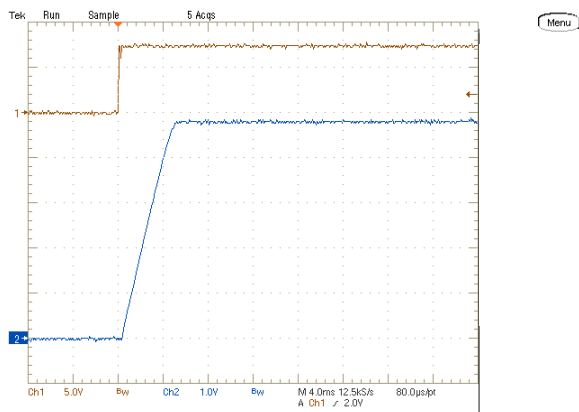
Step Load Transient Response (Vin=12.0V, Vout=5.0V, Cload=110uF, Iout=2A to 4A, 2.5A/us) Trace 1=Vout, 50 mV/div, Trace 4=Iout, 2A/div.



Step Load Transient Response (Vin=12.0V, Vout=5.0V, Cload=110uF, Iout=4A to 2A, 2.5A/us) Trace 1=Vout, 50 mV/div, Trace 4=Iout, 2A/div.

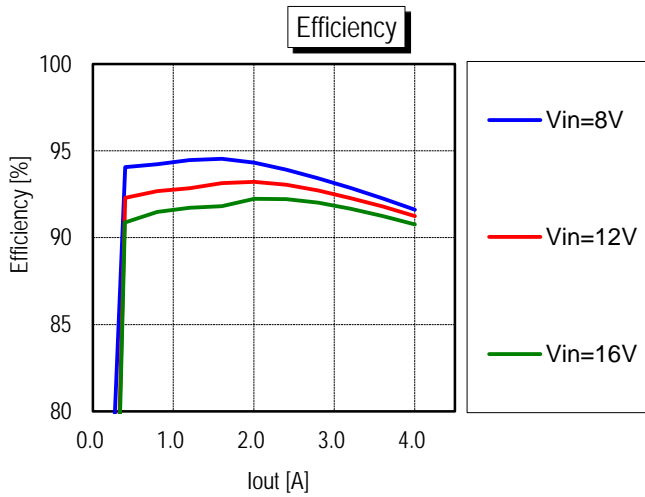


On/Off Enable Delay (Vin=12.0V, Vout=5.0V, Iout=20A, Cload=110uF) Trace1=Enable, Trace2=Vout

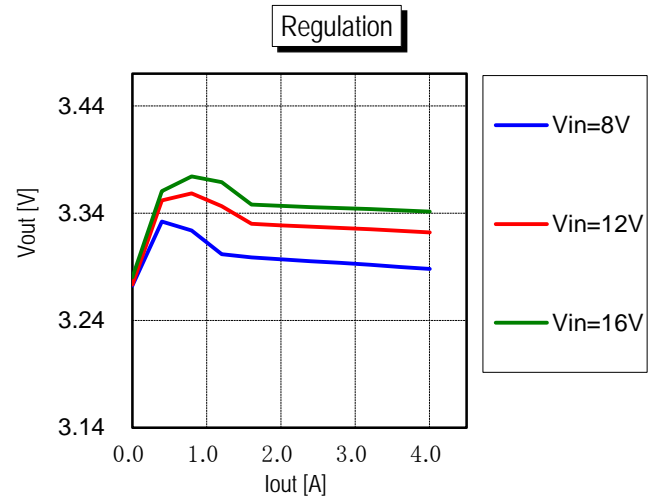


PERFORMANCE DATA AND OSCILLOGRAMS OF MYMGA5R04RELA

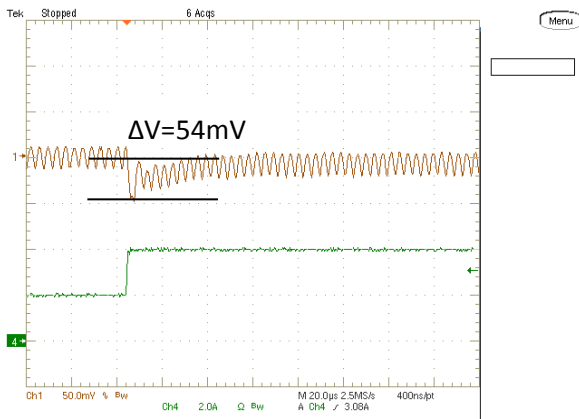
Efficiency vs. Line Voltage and Load Current @ +25° C. (Vout = 3.3V)



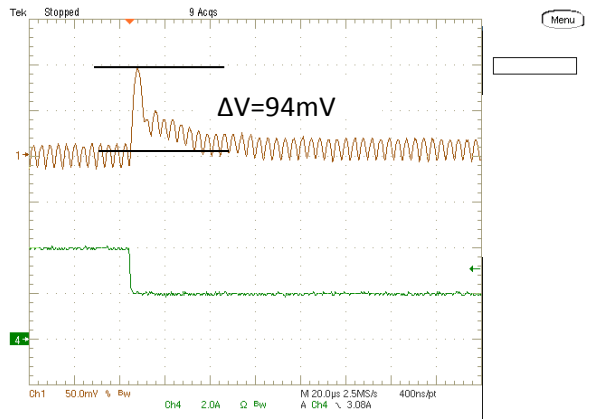
Vout vs. Line Voltage and Load Current @ +25° C. (Vout = 3.3V)



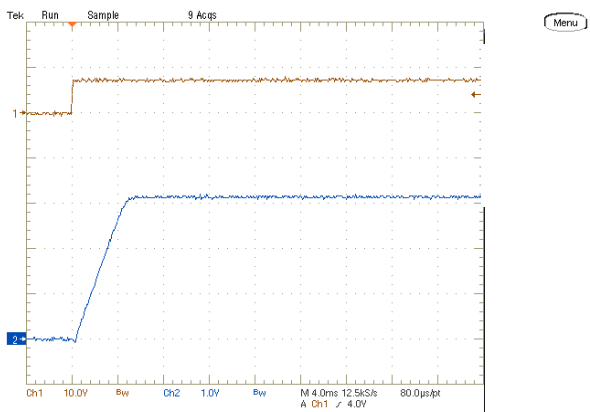
Step Load Transient Response (Vin=12.0V, Vout=3.3V, Cload=110uF, Iout=2A to 4A, 2.5A/us) Trace 1=Vout, 50 mV/div, Trace 4=Iout, 2A/div.

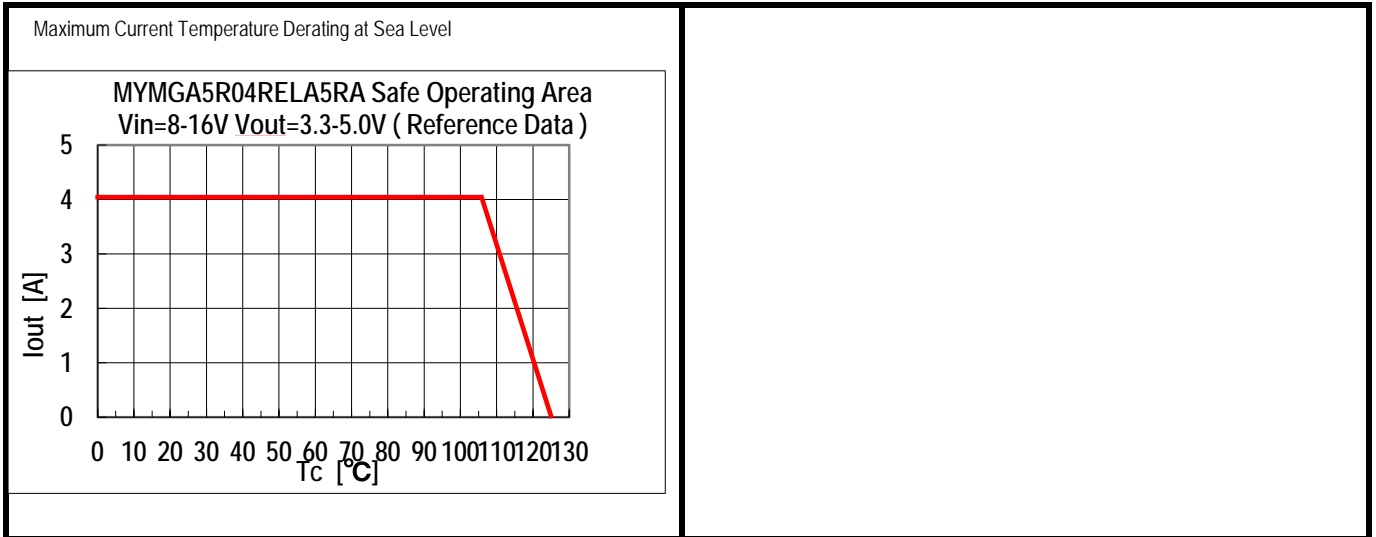


Step Load Transient Response (Vin=12.0V, Vout=3.3V, Cload=110uF, Iout=4A to 4A, 2.5A/us) Trace 1=Vout, 50 mV/div, Trace 4=Iout, 2A/div.



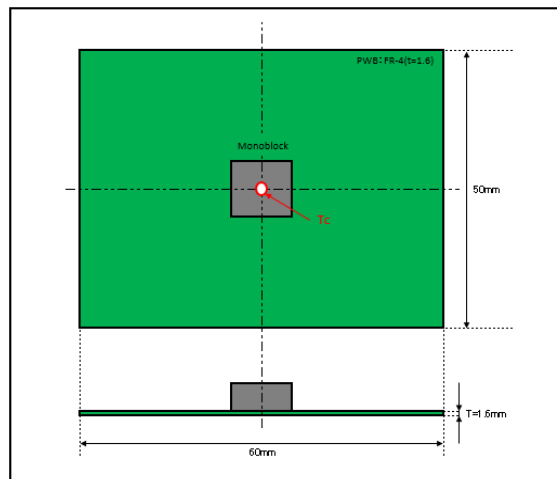
On/Off Enable Delay (Vin=12.0V, Vout=3.3V, Iout=4A, Cload=110uF) Trace1=Enable, Trace2=Vout





Thermal deratings are evaluated in following condition.

- The above de-rating limits apply to this product soldered directly to 60.0*50.0*1.6mm PCB (4layer, with 35um copper) in the natural air-cooling condition. Any adjacent parts of high temperature may cause overheating. For reliable operation, please ensure that the Top side temperature of this product is maintained below Tc.



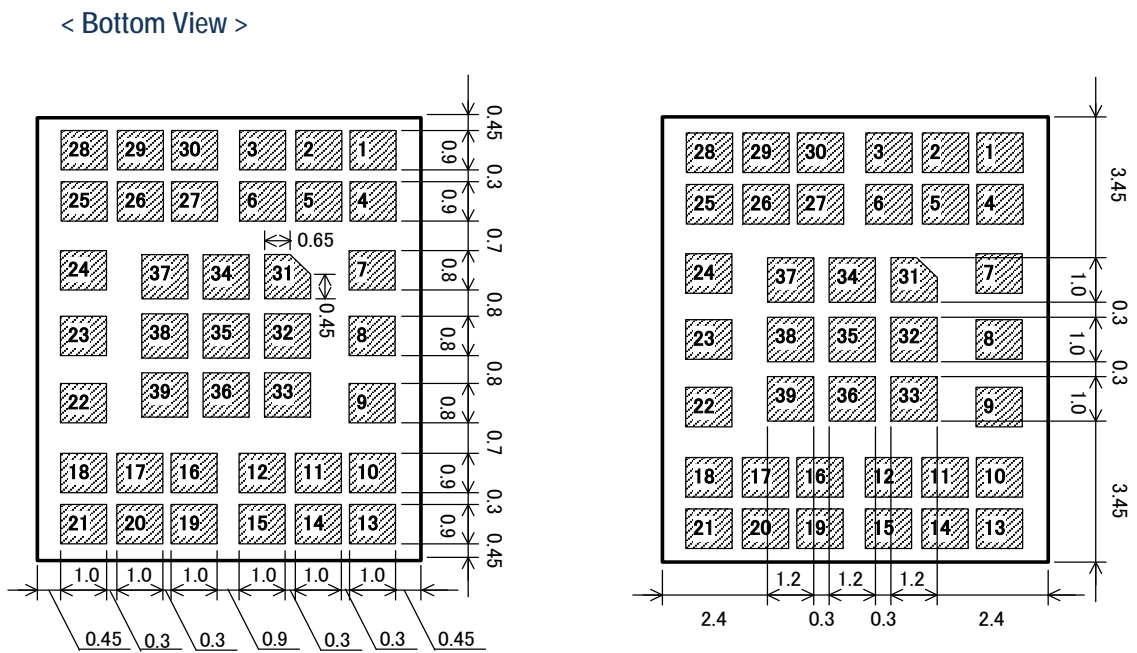
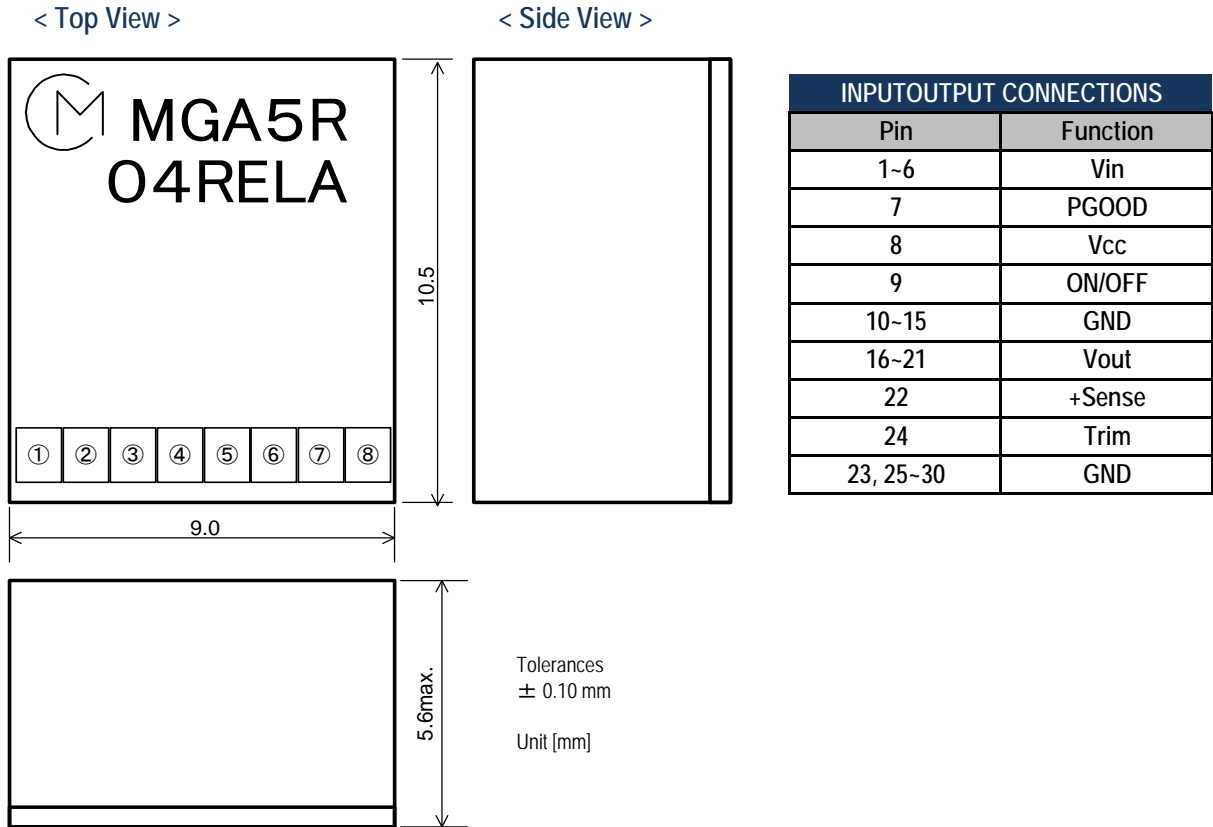
Transient response datas at various conditions are showed in following table.

Minimum output capacitance can serve less than 3% * Vo(nom) of deviation for 2A load change(2A/us).

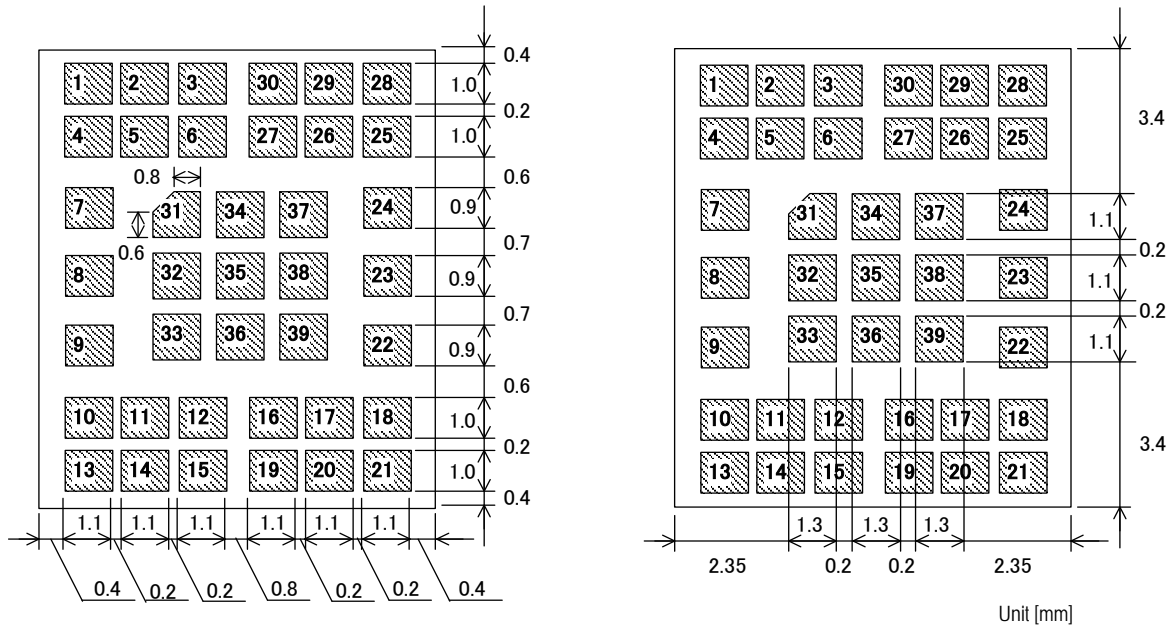
Vout(V)	Vin(V)	Cout1(uF)*	Cout2(uF)	Voltage Deviation(mV)
				2-4A Load Step (2A/us)
3.3	7.8	110	-	94
5.0			-	66
3.3	12.0	110	-	94
5.0			-	62
3.3	16.3	110	-	102
5.0			-	60

*Cout1 is minimum output capacitance for the products.

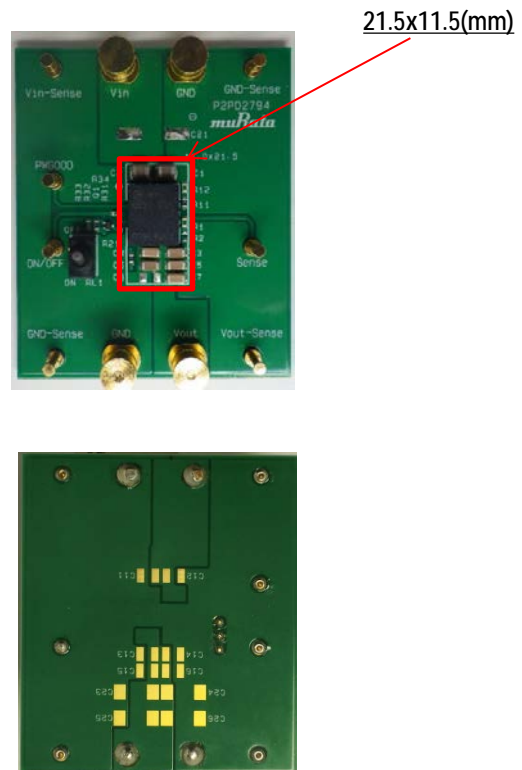
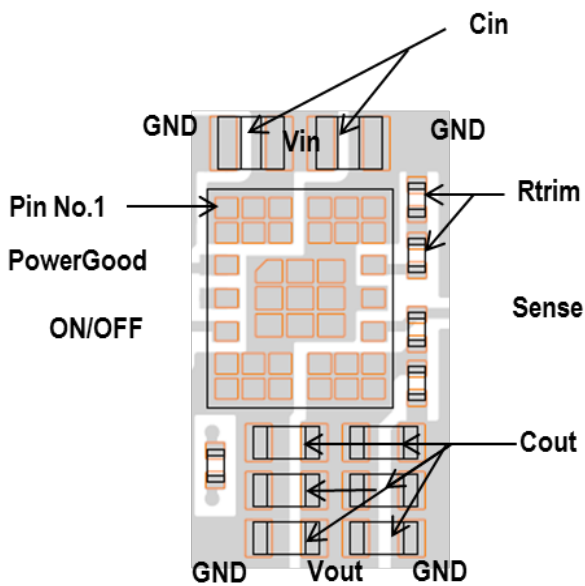
Dimension and Pin Assignment



Recommended Board Land Pattern (Top View)

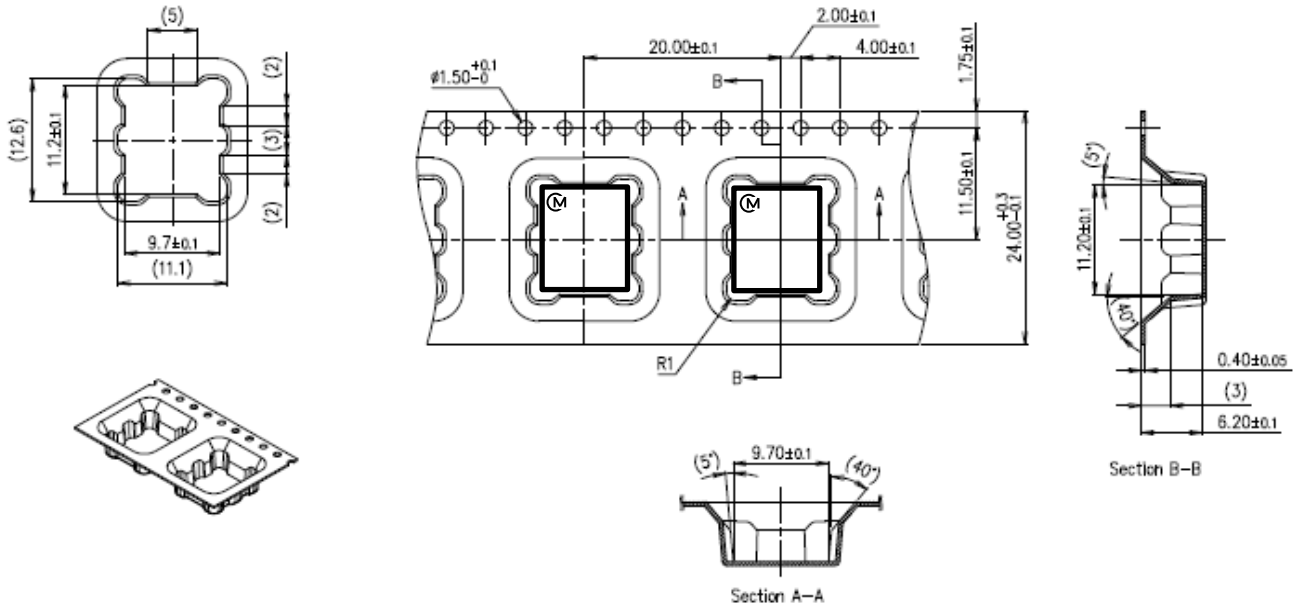


Example of Patern Layout(Top View)



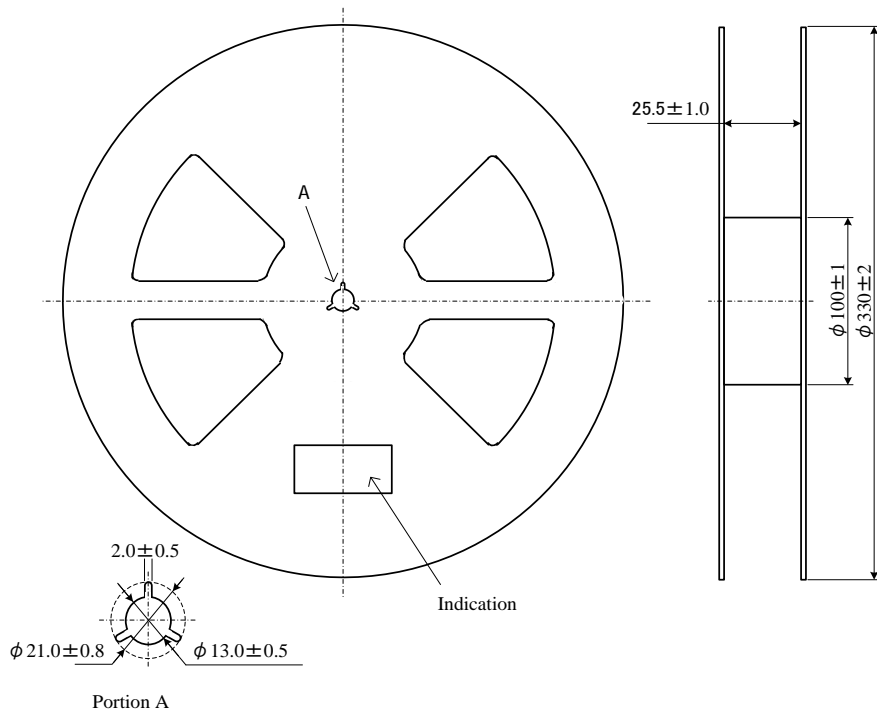
TAPE AND REEL INFORMATION

Tape Dimension



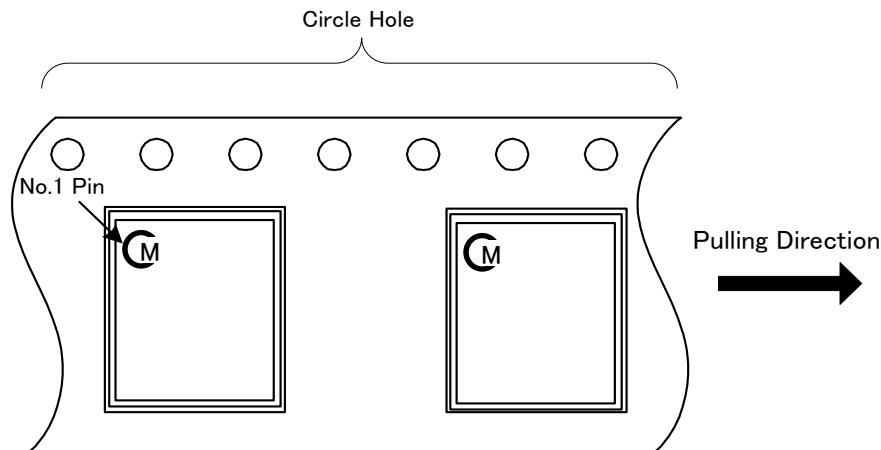
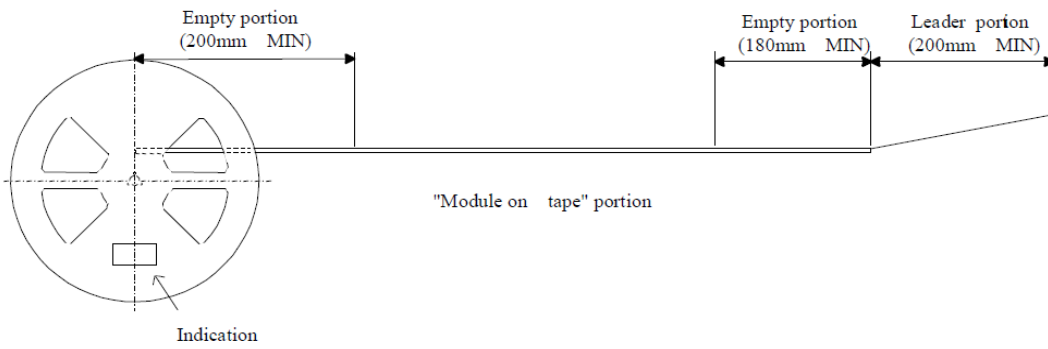
Unit:mm

Reel Dimension



Unit:mm

TAPE SPECIFICATION



Note

1. The adhesive strength of the protective tape must be within 0.1-1.3N.
2. Each reel contains the quantities such as the table below.
3. Each reel set in moisture-proof packaging because of MSL 3.
4. No vacant pocket in "Module on tape" section.
5. The reel is labeled with Murata part number and quantity.
6. The color of reel is not specified.

Part Number	Qty
MYMGA5R04RELA5RA	400
MYMGA5R04RELA5RAD	100

TECHNICAL NOTES

Input Fusing

Certain applications and/or safety agencies may require fuses at the inputs of power conversion components. Fuses should also be used when there is the possibility of sustained input voltage reversal which is not current limited. For greatest safety, we recommend a fast blow fuse installed in the ungrounded input supply line.

The installer must observe all relevant safety standards and regulations.

For safety agency approvals, install the converter in compliance with the end-user safety standard.

Input Under-Voltage Shutdown and Start-Up Threshold

Under normal start-up conditions, converters will not begin to regulate properly until the ramping-up input voltage exceeds and remains at the Start-Up Threshold Voltage (see Specifications). Once operating, converters will not turn off until the input voltage drops below the Under-Voltage Shutdown Limit. Subsequent restart will not occur until the input voltage rises again above the Start-Up Threshold. This built-in hysteresis prevents any unstable on/off operation at a single input voltage.

Users should be aware however of input sources near the Under-Voltage Shutdown whose voltage decays as input current is consumed (such as capacitor inputs), the converter shuts off and then restarts as the external capacitor recharges. Such situations could oscillate. To prevent this, make sure the operating input voltage is well above the UV Shutdown voltage AT ALL TIMES.

Start-Up Time

Assuming that the output current is set at the rated maximum, the Vin to Vout Start-Up Time (see Specifications) is the time interval between the point when the ramping input voltage crosses the Start-Up Threshold and the fully loaded regulated output voltage enters and remains within its specified accuracy band. Actual measured times will vary with input source impedance, external input capacitance, input voltage slew rate and final value of the input voltage as it appears at the converter.

These converters include a soft start circuit to moderate the duty cycle of its PWM controller at power up, thereby limiting the input inrush current.

The On/Off Remote Control interval from On command to Vout regulated assumes that the converter already has its input voltage stabilized above the Start-Up Threshold before the On command. The interval is measured from the On command until the output enters and remains within its specified accuracy band. The specification assumes that the output is fully loaded at maximum rated current. Similar conditions apply to the On to Vout regulated specification such as external load capacitance and soft start circuitry.

Recommended Input Filtering

The user must assure that the input source has low AC impedance to provide dynamic stability and that the input supply has little or no inductive content, including long distributed wiring to a remote power supply. The converter will

Recommended Output Filtering

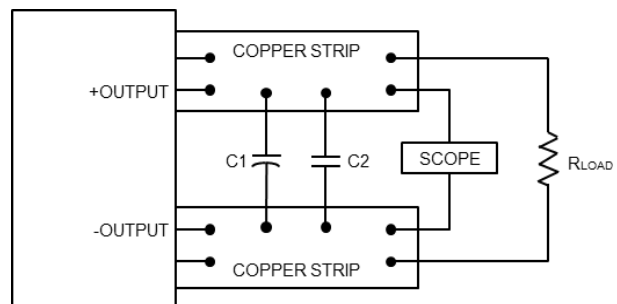
The converter will achieve its rated output ripple and noise with additional external capacitor. The user may install more external output capacitance reduce the ripple even further or for improved dynamic response. Again, use low-ESR ceramic (Murata GCM31 series). Initial values of 22 uF*5 ceramic type. Mount these close to the converter. Measure the output ripple under your load conditions.

Use only as much capacitance as required to achieve your ripple and noise objectives. Excessive capacitance can make step load recovery sluggish or possibly introduce instability. Do not exceed the maximum rated output capacitance listed in the specifications.

Input Ripple Current and Output Noise

All models in this converter series are tested and specified for input reflected ripple current and output noise using designated external input/output components, circuits and layout as shown in the figures below.

In the figure below, the two copper strips simulate real-world printed circuit impedances between the power supply and its



C1=1uF CERAMIC
C2=22uF*5 CERAMIC
LOAD 2-3 INCHES (51-76mm) FROM MODULE

Minimum Output Loading Requirements

All models regulate within specification and are stable under no load to full load conditions. Operation under no load might however slightly increase output ripple and noise.

Thermal Shutdown

To prevent many over temperature problems and damage, these converters include thermal shutdown circuitry. If environmental conditions cause the temperature of the DC/DC's to rise above the Operating Temperature Range up to the shutdown temperature, an on-board electronic temperature sensor will power down the unit. When the temperature decreases below the turn-on threshold, the converter will automatically restart.

CAUTION: If you operate too close to the thermal limits, the converter may shut down suddenly without warning. Be sure to thoroughly you're your application to avoid unplanned thermal shutdown.

Temperature Derating Curves

The graphs in this data sheet illustrate typical operation under a variety of conditions. The derating curves show the maximum continuous ambient air temperature. Note that these are

Note that the temperatures are of the ambient airflow, not the converter itself which is obviously running at higher temperature than the outside air. Also note that very low flow rates (below about 25 LFM) are similar to "natural convection," that is, not using fan-forced airflow. Murata makes Characterization measurements in a closed cycle wind tunnel with calibrated airflow. We use both thermocouples and an infrared camera system to observe thermal performance.

CAUTION: These graphs are all collected at slightly above Sea Level altitude. Be sure to reduce the derating for higher density altitude.

Output Current Limiting

Current limiting inception is defined as the point at which full power falls below the rated tolerance. See the Performance/Functional Specifications. Note particularly that the output current may briefly rise above its rated value in normal operation as long as the average output power is not exceeded. This enhances reliability and continued operation of your application. If the output current is too high, the converter will enter the short circuit condition.

Output Short Circuit Condition

When a converter is in current-limit mode, the output voltage will drop as the output current demand increases. Following a time-out period, the PWM will restart, causing the output voltage to begin ramping up to its appropriate value. If the short-circuit condition persists, another shutdown cycle will initiate. This rapid on/off cycling is called "hiccup mode". The hiccup cycling reduces the average output current, thereby preventing excessive internal temperatures and/or component damage. A short circuit can be tolerated indefinitely.

The "hiccup" system differs from older latching short circuit systems because you do not have to power down the converter to make it restart. The system will automatically restore operation as soon as the short circuit condition is removed.

Remote On/Off Control

The remote On/Off Control can be ordered with either polarity. Please refer to the Connection Diagram on page 1 for On/Off connections.

Positive logic models are enabled when the On/Off pin is left open or is pulled high to +Vin with respect to -Vin. An internal bias current causes the open pin to rise to +Vin. Positive-polarity devices are disabled when the On/Off is grounded or brought to within a low voltage (see Specifications) with respect to -Vin.

Dynamic control of the On/Off function should be able to sink appropriate signal current when brought low and withstand appropriate voltage when brought high. Be aware too that there is a finite time in milliseconds (see Specifications) between the time of On/Off Control activation and stable, regulated output. This time will vary slightly with output load type and current and input conditions.

Output Capacitive Load

These converters do not require external capacitance added to achieve rated specifications. Users should only consider adding capacitance to reduce switching noise and/or to handle spike

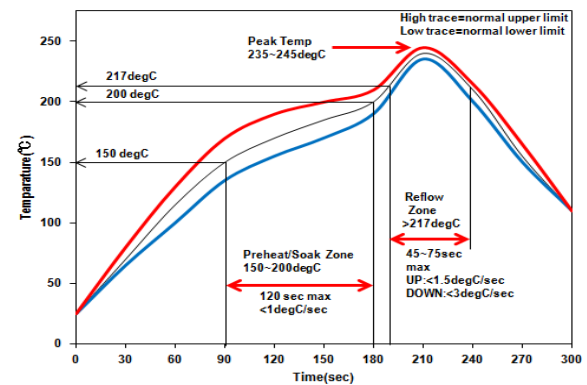
Soldering Guidelines

Murata recommends the specifications below when installing these converters. These specifications vary depending on the solder type.

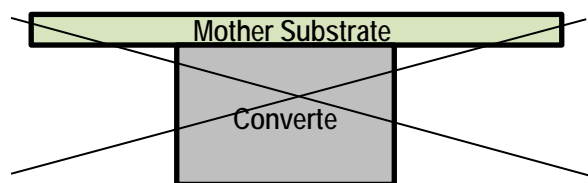
Exceeding these specifications may cause damage to the product. Your production environment may differ therefore

Reflow Solder Operations for surface-mount products (SMT)	
For Sn/Ag/Cu based solders:	
Preheat Temperature	Less than 1°C per second
Time over Liquidus	45 to 75 seconds
Maximum Peak Temperature	245°C
Cooling Rate	Less than 3°C per second
For Sn/Pb based solders:	
Preheat Temperature	Less than 1°C per second
Time over Liquidus	60 to 75 seconds
Maximum Peak Temperature	235°C
Cooling Rate	Less than 3°C per second

Recommended Lead-free Solder Reflow Profile



CAUTION: Do not reflow the DC-DC converter as follows, because the DC-DC converter may fall from the substrate during reflowing.



Pb-free solder processes

For Pb-free solder processes, the product is qualified for MSL 3 according to IPC/JEDEC standard J-STD-020C. During reflow PRODUCT must not exceed 245 degC at any time.

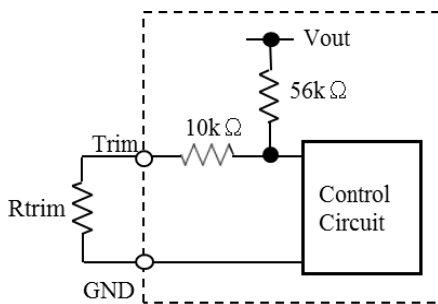
Dry Pack Information

Products intended for Pb-free reflow soldering processes are delivered in standard moisture barrier bags according to IPC/JEDEC standard J-STD-033 (Handling, packing, shipping and use of moisture/reflow sensitivity surface-mount devices). Using products in high temperature Pb-free soldering processes requires dry pack storage and handling. In case the products have been stored in an uncontrolled environment and longer can be considered dry, the modules must be baked according to

Output Voltage Adjustment

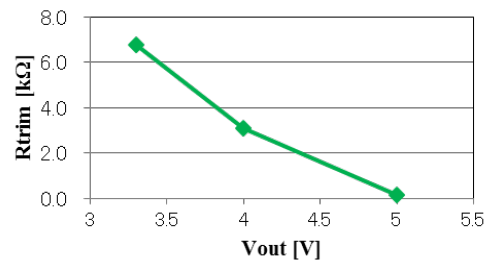
The output voltage may be adjusted over a limited range by connecting an external trim resistor (Rtrim) between the Trim pin and GND pin. The Rtrim resistor must be a 1/10 Watt precision metal film type, $\pm 0.5\%$ accuracy or better with low temperature coefficient, $\pm 100 \text{ ppm}/^\circ \text{C}$. or better. Mount the resistor close to the converter with very short leads or use a surface mount trim resistor.

In the table below, the estimated resistance is given. Do not exceed the specified limits of the output voltage or the converter's maximum power rating when applying these



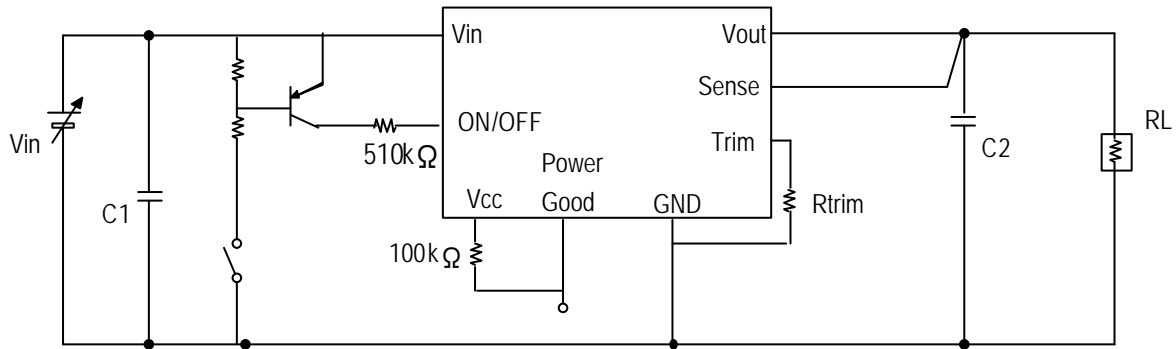
Output Voltage	Estimated Rtrim (ohm)	
	Calculated R trim	R trim example
5.0V	150	150
3.3V	7360	6.8k + 560

Vout depends on the value of capacitance of Cout in this product, the smaller Cout may cause the higher Vout. The equations above are only reference, so please check Vout and adjust Rtrim in user circumstances. To increase(decrease) Vout is obtained by decreasing(increasing) value of Rtrim.



APPENDIX

Test Circuit



Vin : DC Power Supply
RL : Electronic Load Device

C1 : 10 μ F/50V × 2pcs (GCJ32EC71H106KA01 : Murata)
C2 : 22 μ F/10V × 5pcs (GCM31CR71A226KE02 : Murata)

*It is strongly recommended that on/off terminal should be used when you turn on/off this product. Characteristics may be affected by turning input voltage on/off. Please check product operation on your application with turning input voltage on/off.
It is recommended that the reset IC would be used acceptably to the input voltage specification, because this product have wide input voltage range.
If there is a long inductive cable length between the input power source and converter, then some additional bulk decoupling capacitance (eg. up to 1000uF) may be necessary to ensure a low AC impedance power source.



This product is subject to the following [operating requirements](#) and the [Life and Safety Critical Application Sales Policy](#):
Refer to: <https://power.murata.com/en/requirements>

Murata Manufacturing Co., Ltd makes no representation that the use of its products in the circuits described herein, or the use of other technical information contained herein, will not infringe upon existing or future patent rights. The descriptions contained herein do not imply the granting of licenses to make, use, or sell equipment constructed in accordance therewith. Spec and cautions are subject to change without notice. © 2018 Murata Manufacturing Co., Ltd

X-ON Electronics

Largest Supplier of Electrical and Electronic Components

Click to view similar products for [Non-Isolated DC/DC Converters](#) category:

Click to view products by [Murata](#) manufacturer:

Other Similar products are found below :

[PSR152.5-7IR](#) [APTH003A0X-SRZ](#) [SPM1004-3V3C](#) [R-785.0-05](#) [10E24-P15-10PPM](#) [1E24-P4-25PPM-SHV-5KV](#) [PROPOWER-3.3V](#)
[MYGTM01210BZN](#) [JRCS016A0S4-HZ](#) [40C24-N250-I5-H](#) [10C24-N250-I10-AQ-DA](#) [4AA24-P20-M-H](#) [3V12-N0.8](#) [3V24-P1](#) [3V24-N1](#)
[BMR4672010/001](#) [BMR4652010/001](#) [T31SN12008NMFA](#) [6AA24-P30-I5-M](#) [6AA24-N30-I5-M](#) [BM2P101X-Z](#) [ROF-78E12-0.5SMD-R](#)
[RPMA5.0-8.0/OF](#) [PTV03010WAD](#) [PTV05020WAH](#) [PTV12010LAH](#) [PTV12020WAD](#) [R-7212D](#) [R-7212P](#) [R-78AA5.0-1.0SMD](#) [30A24-](#)
[N15-E](#) [10A12-P4-M](#) [10C24-N250-I5](#) [10C24-P125](#) [10C24-P250-I5](#) [6A24-P20-I10-F-M-25PPM](#) [1A24-P30-F-M-C](#) [TSR 1-24150SM](#)
[1/2AA24-N30-I10](#) [1C24-N125](#) [12C24-N250](#) [V7806-1500](#) [PTV12020LAH](#) [PTV05010WAH](#) [PTN04050CAZT](#) [PTH12020WAD](#)
[PTH12020LAS](#) [PTH05050YAH](#) [PTH05T210WAH](#) [PTH05030WAZ](#)