

TYPE FSDVA

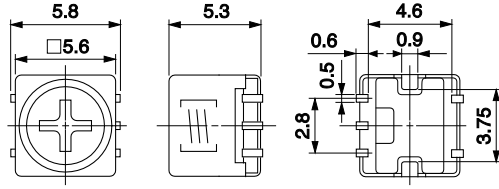
For Reflow Soldering / 适合回流焊接

Frequency Range : 0.05 ~ 15MHz

Inductance Range : 0.1 ~ 52mH

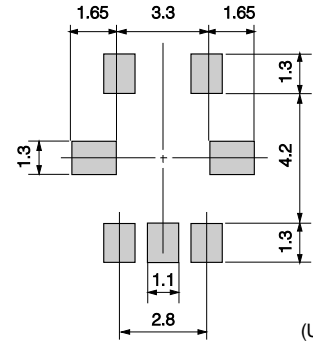
1 ~ 7mH (for corner sensor)

Q Approx : 20 ~ 60



(Unit: mm)

Recommended patterns
推荐焊盘尺寸



(Unit: mm)

Features

- Highly durable against mechanical stress.
- Wide operating temperature range
~ 20mH (-40°C~+105°C)
20mH ~ (-40°C~+85°C)
- 1,000 hours guarantee in reliability characteristics based on evaluation test up to 3,000 hours.
- Terminal coplanarity: 0.1mm Max.
- AEC-Q200 compliant.

特征

- 耐机械压力性能好
- 使用温度范围 ~ 20mH (-40°C~+105°C)
20mH ~ (-40°C~+85°C)
- 基于长达3,000个小时的评估测试，保证可靠使用1,000个小时)
- 端子平坦度：0.1mm以内
- 符合AEC-Q200

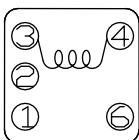
SELECTION GUIDE FOR STANDARD TRANSFORMERS

TYPE FSDVA

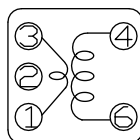
| 零件号码 | 测试频率 | L可变范围 | Q | 内部连接 * |
|---------------------|----------------------|--------------|------------|----------------------|
| Part Number | Test Frequency (kHz) | L Range (mH) | Unloaded Q | Winding Connection * |
| N1342BCA-0004UG=P3 | 252 | 4.4 ±3% | 25 min | B |
| N1342DEA-0008BQE=P3 | 252 | 2.5 ±5% | 25 min | C |

| 零件号码 | 测试频率 | L公差范围 | Q | 内部连接 * |
|-------------------|----------------------|------------------|------------|----------------------|
| Part Number | Test Frequency (kHz) | L Tolerance (mH) | Unloaded Q | Winding Connection * |
| N1342AAA-0001Z=P3 | 79.6 | 52 ±7% | 10 min | A |

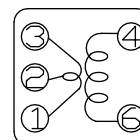
*Connection A (Bottom View)



* Connection B (Bottom View)



* Connection C (Bottom View)



FSDVA type is customized item. Please feel free to contact us for details.
FSDVA 型号是按客户规格订制生产的产品。敬请咨询详细信息。

X-ON Electronics

Largest Supplier of Electrical and Electronic Components

Click to view similar products for [Variable Inductors](#) category:

Click to view products by [Murata](#) manufacturer:

Other Similar products are found below :

[#A1313B-0031GRG=P3](#) [#A1313AN-0001GGH=P3](#) [N1342DEA-0008BQE=P3](#) [142-05J08S](#) [144-02J12S](#) [146-04J08S](#) [146-07J08S](#) [150-05J08S](#) [150-06J08S](#) [164-03A06](#) [164-05A06S](#) [164-08A06S](#) [165-04A06S](#) [N1342BCA-0004UG=P3](#) [N1342AAA-0001Z=P3](#) [M304](#) [#A1313B-0029GGH=P3](#) [#A1313AN-0004GGH=P3](#) [#A1313AN-0002GRG=P3](#) [#A1313B-0032GGH=P3](#)